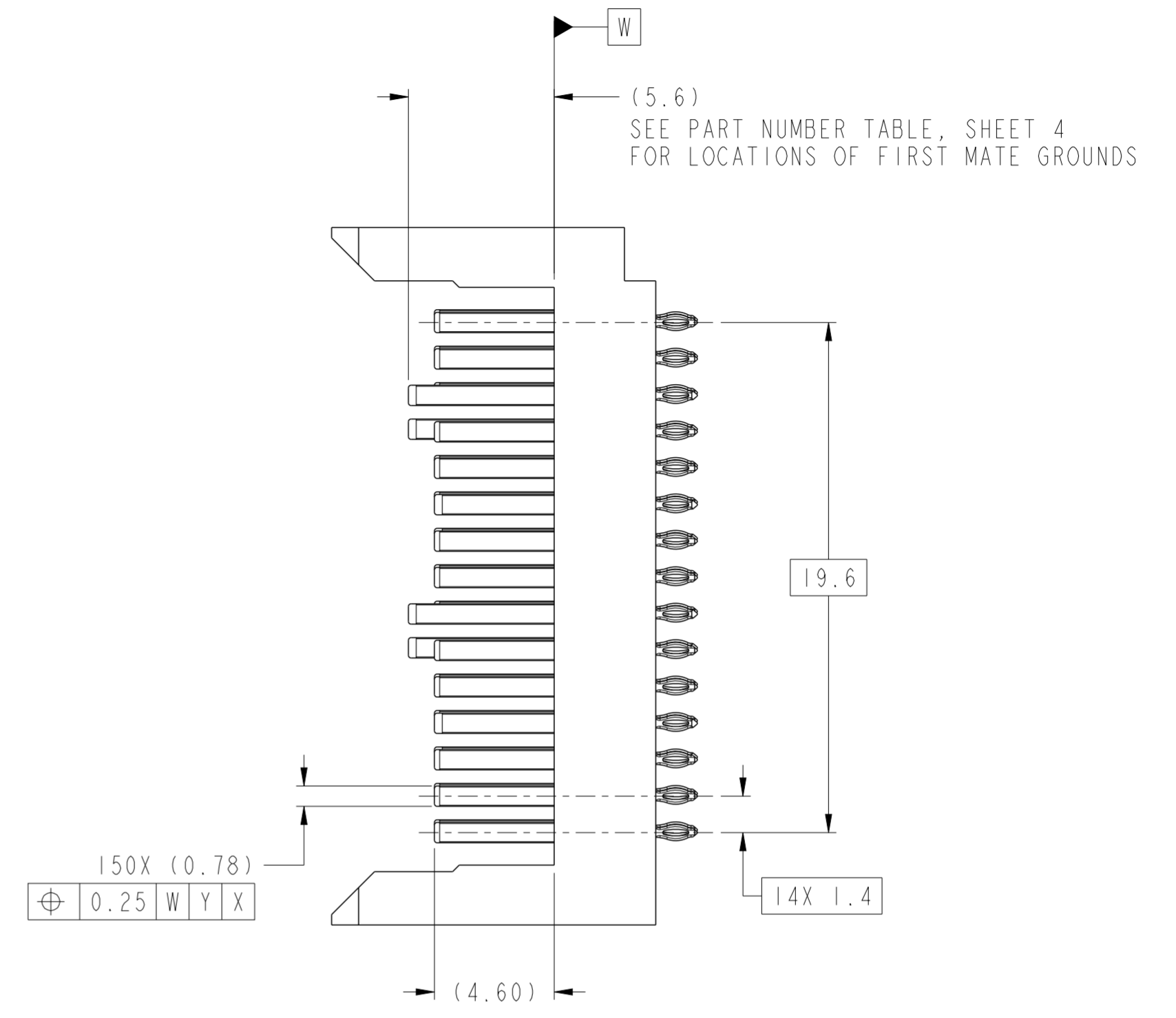
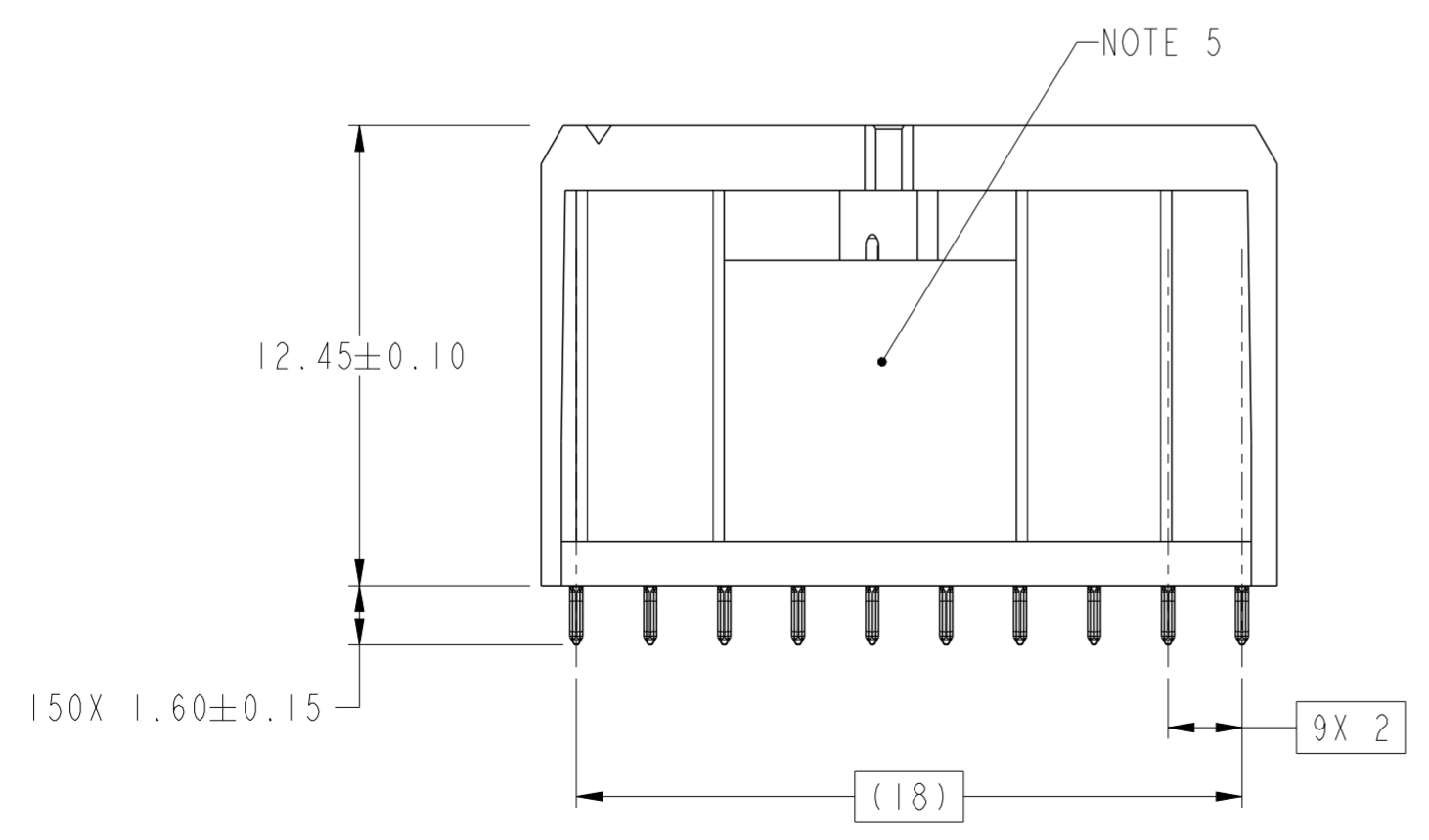
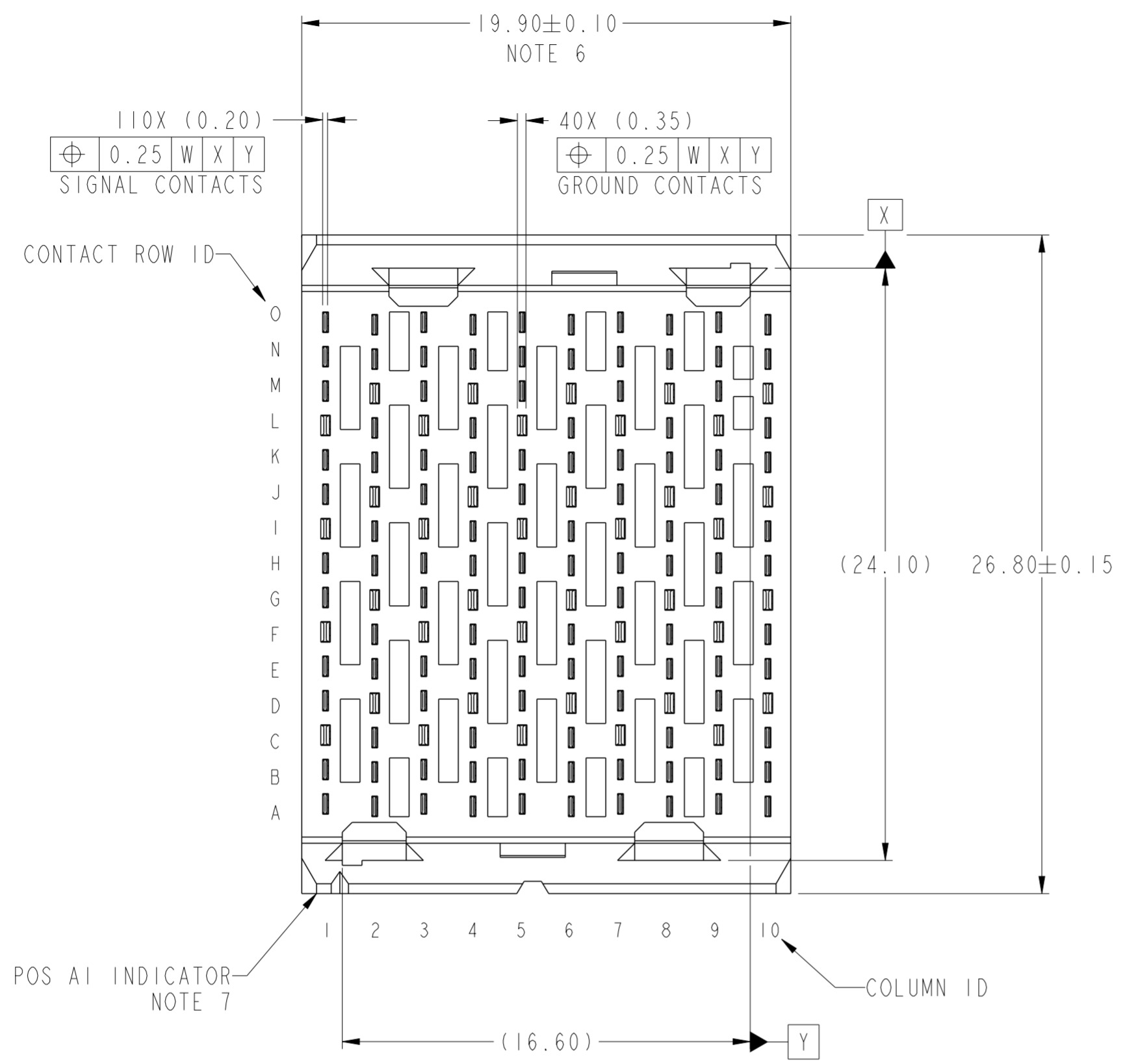


Product number  
SEE TABLE, SHT 4



spec ref	-	dr	Mark Gray	2010/06/28	projection	MM	size	A2	scale	5:1
tolerance std	ASME Y14.5	eng	Tao Zhan	2013/08/15	chr	-	ecn no	ELX-DG-15488-1	rel level	Released
surface	✓	appr	Pei-Ming Zheng	2013/08/19	product family	AIRMAX VS	cat. no	10115033	rev	B
ASME Y14.5	linear	0.X	±0.3	angular	0°	±2°	www.fci.com	Product - Customer Drw	sheet 1 of 4	

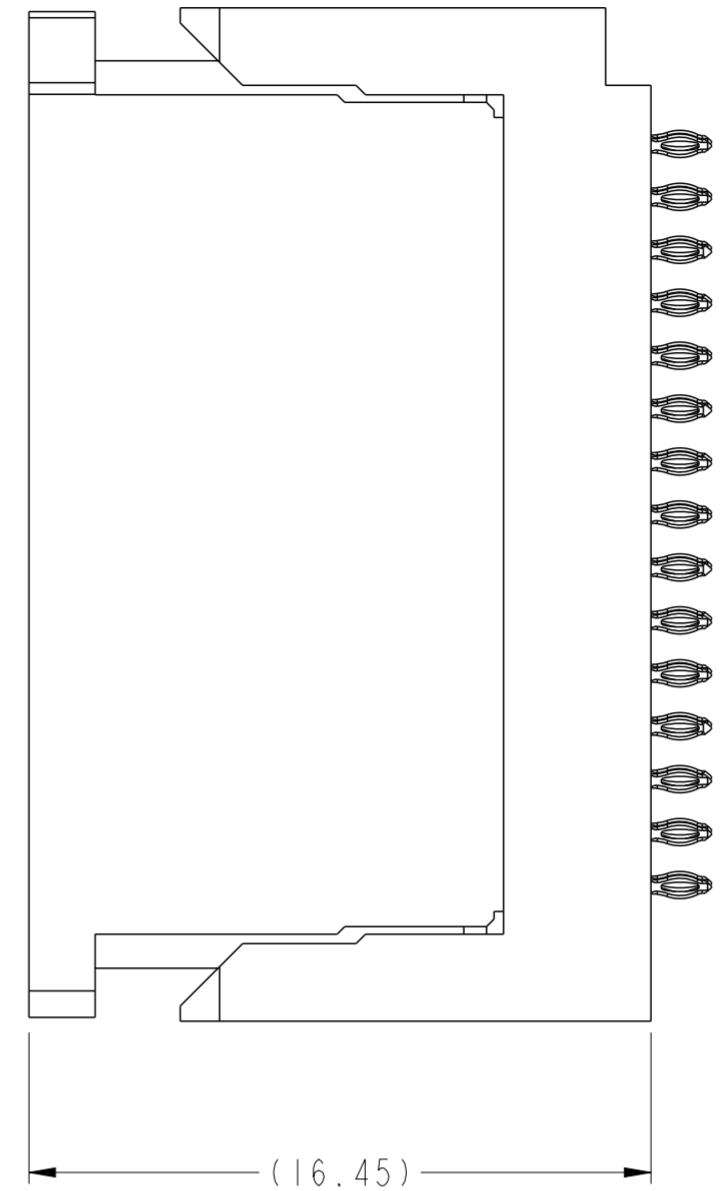
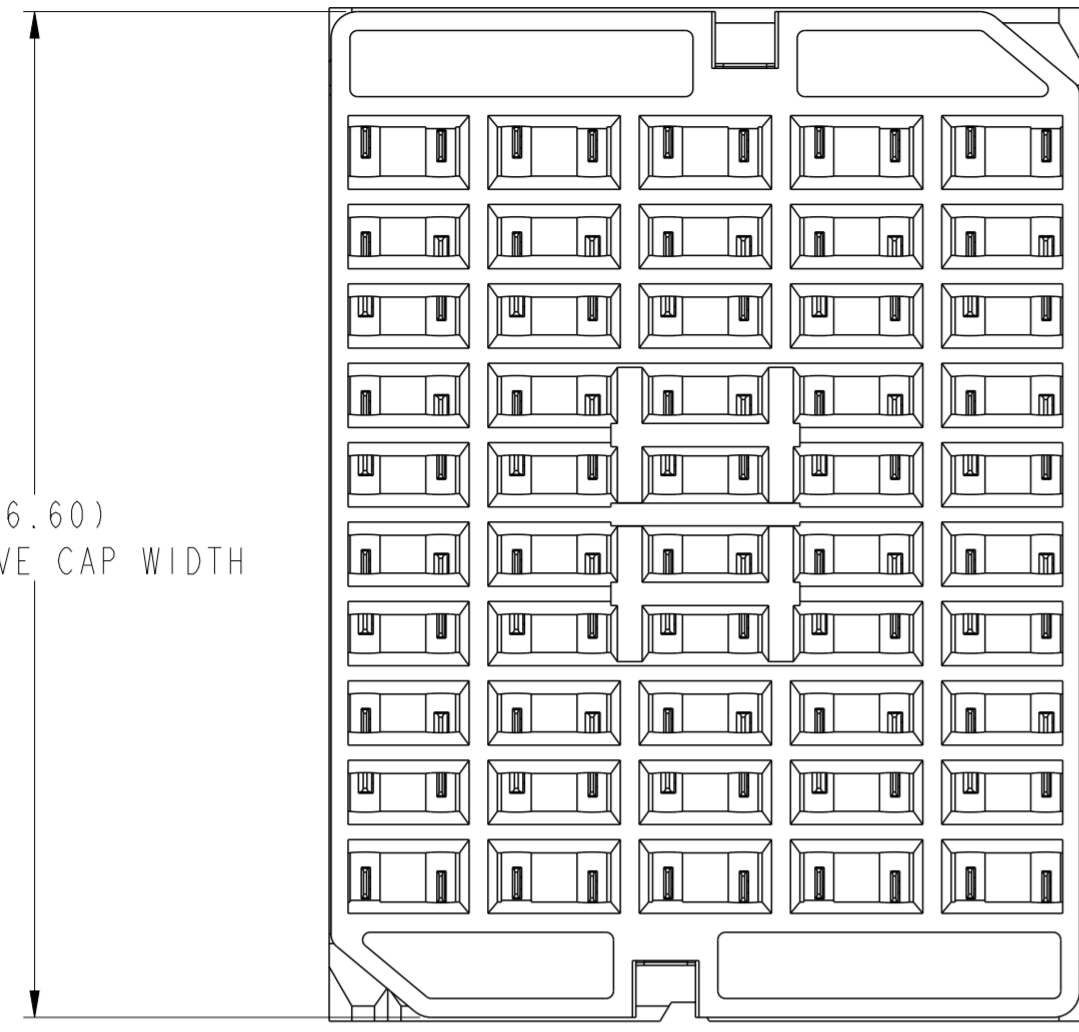
PDS: Rev :B

STATUS:Released

Printed: Aug 19, 2013

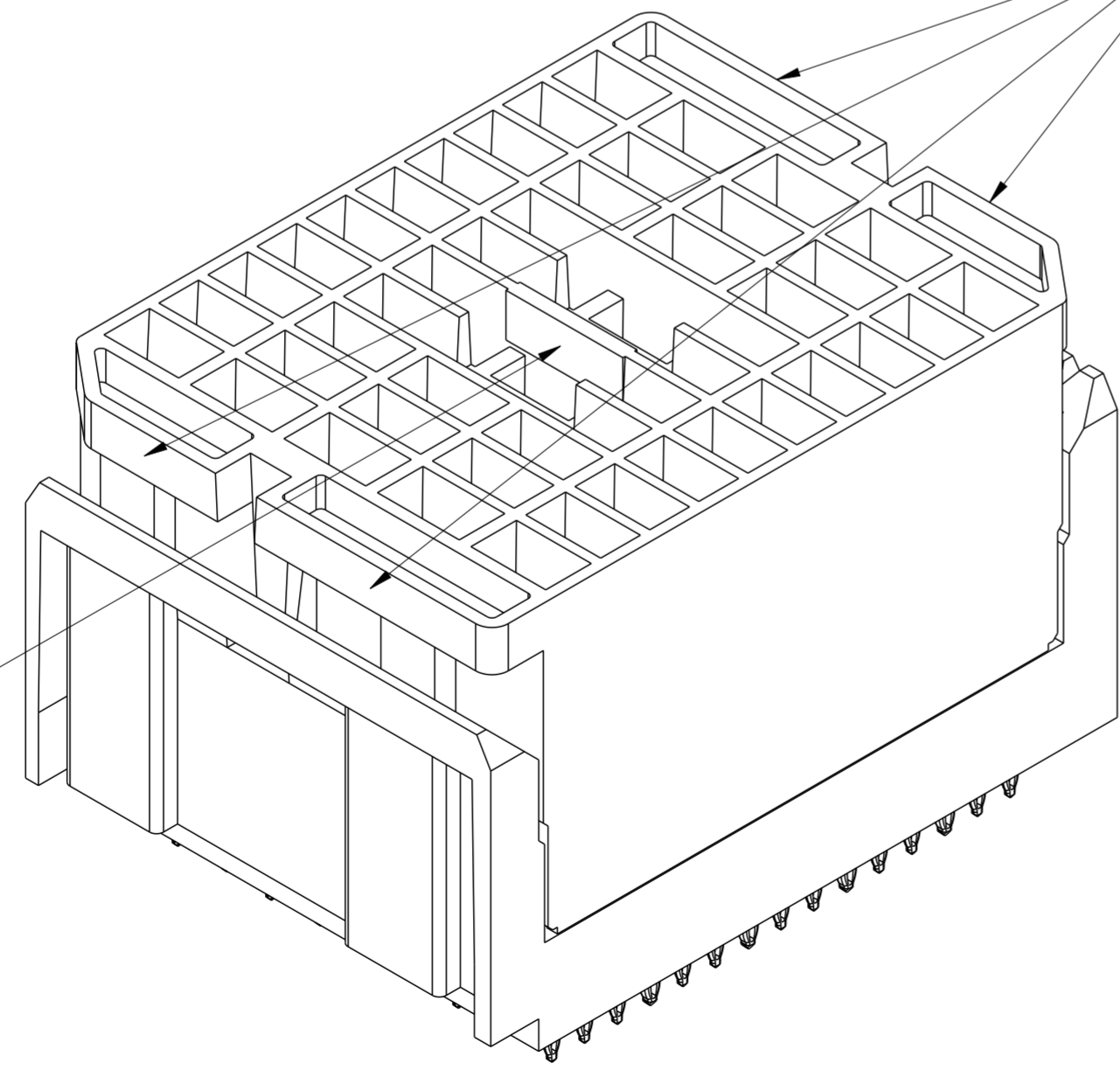
Copyright FCI.  
FCI

(26.60)  
PROTECTIVE CAP WIDTH



VIEWS SHOWN WITH  
PROTECTIVE COVER INSTALLED

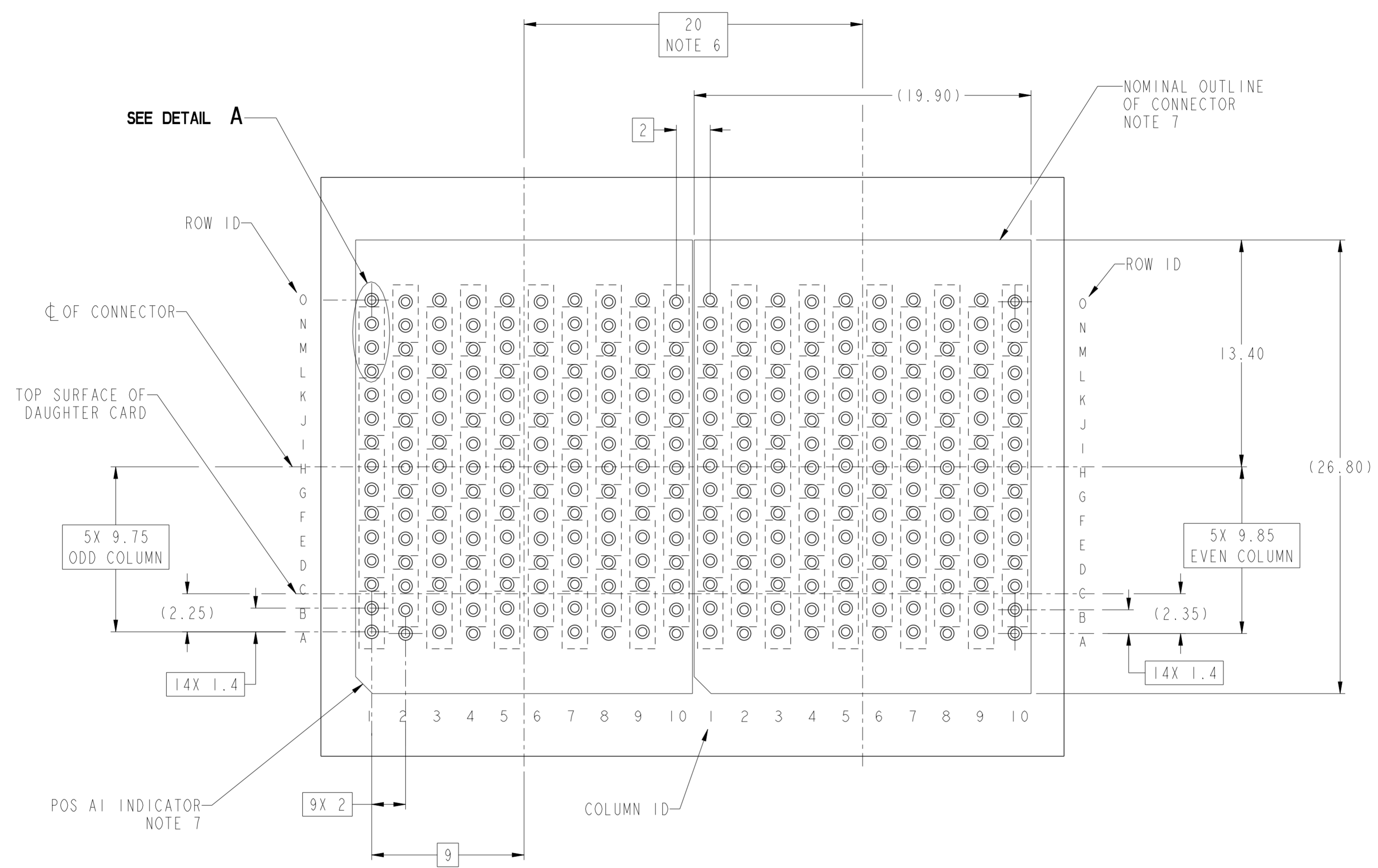
NOTE 11



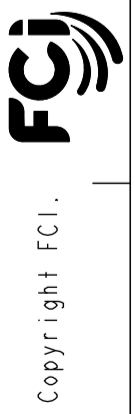
NOTE 12

spec ref	-	dr	Mark Gray	2010/06/28	projection	MM	size	A2	scale	5:1
tolerance std	ASME Y14.5	eng	Tao Zhan	2013/08/15		MM	ecn no	ELX-DG-15488-1		
TOLERANCES UNLESS OTHERWISE SPECIFIED		chr	-	rel level				Released		
surface	linear	0.X	±0.3		product family	AIRMAX VS	divg no	10115033	rev	B
		0.XX	±0.10							
		0.XXX	±0.050							
ASME Y14.5	angular	0°	±2°	www.fci.com	cat. no.	-	Product - Customer Drw	sheet 2 of 4		

Copyright FCI.





RECOMMENDED PCB LAYOUT  
FOR DIFFERENTIAL APPLICATIONS,  
COMPONENT SIDE  
(TWO ADJACENT FOOTPRINTS SHOWN)  
NOTES 6, AND 8

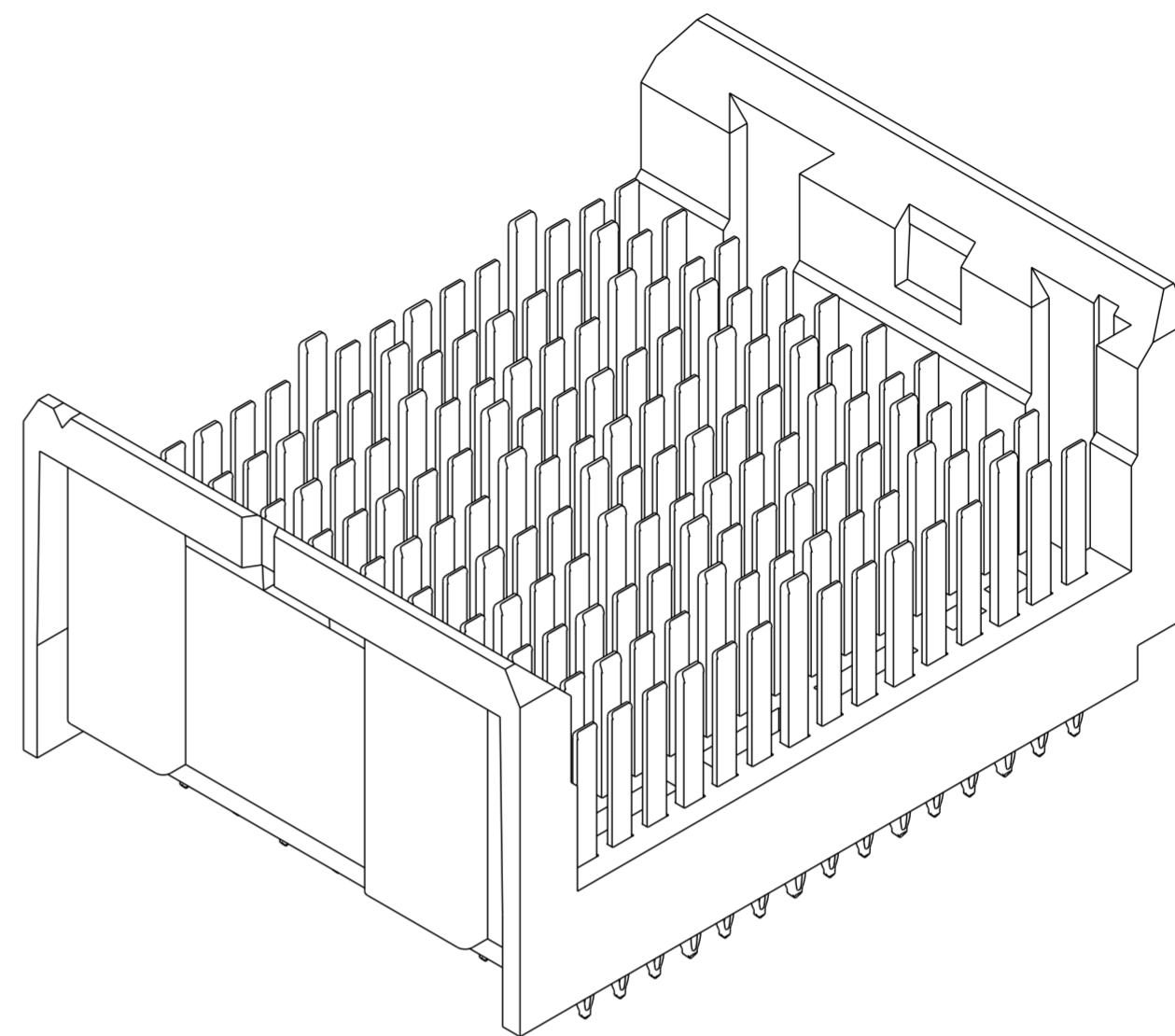


spec ref	-	dr	Mark Gray	2010/06/28	projection	MM	size	A2	scale	3:1		
tolerance std	ASME Y14.5	eng	Tao Zhan	2013/08/15			ecn no	ELX-DG-15488-1				
TOLERANCES UNLESS OTHERWISE SPECIFIED		chr	-	rel level				Released				
surface	✓	appr	Pei-Ming Zheng	2013/08/19	product family	AIRMAX VS	div no	10115033		rev	B	
ASME Y14.5	linear	0.X	±0.3		title		AIRMAX VS2 VERTICAL HEADER		cat. no.		Product - Customer Drw	sheet 3 of 4
	0.XX	±0.10	PRESS-FIT, 150 POS, 20.0 mm									
	0.XXX	±0.050										
	angular	0°	±2°	www.fci.com		PDS: Rev :B		STATUS:Released		Printed: Aug 19, 2013		

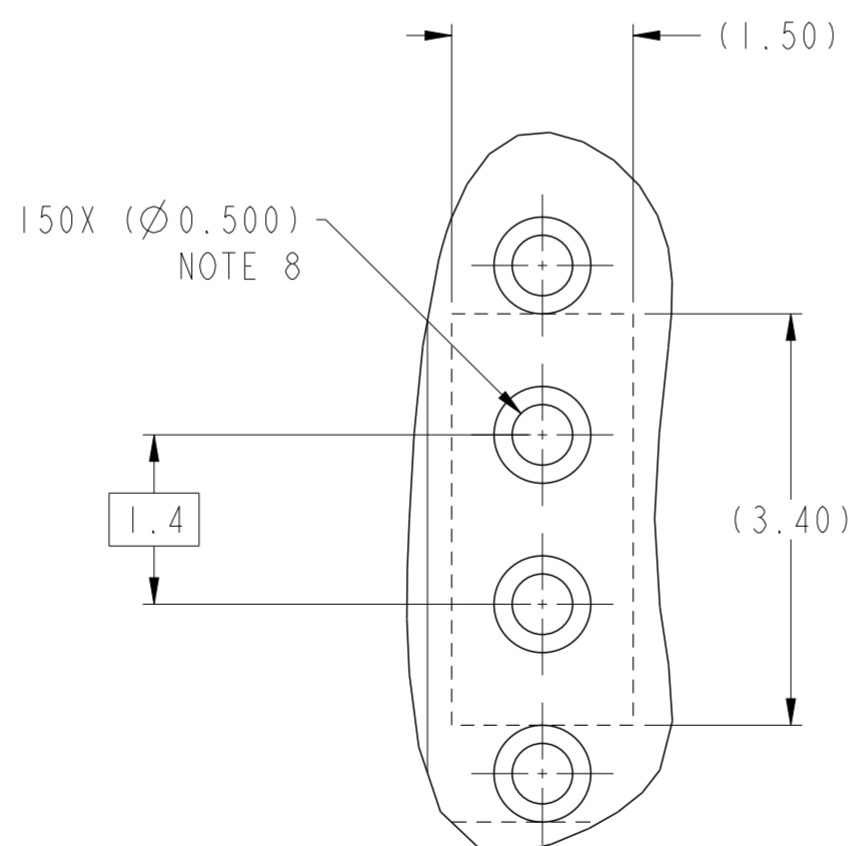
PART NUMBER	PRESS-FIT TAIL PLATING TYPE	PROTECTIVE COVER	FIRST MATE PIN LOCATIONS (5.6mm)
10115033-101LF	TIN OVER NICKEL (LEAD FREE)	YES	F1, F3, F5, F7, F9, G2, G4, G6, G8, G10, L1, L3, L5, L7, L9, M2, M4, M6, M8, M10

NOTES:

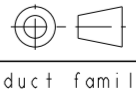


- CONNECTOR MATERIALS:  
HOUSING: HIGH TEMP THERMOPLASTIC, BLACK, UL94V-0  
CONTACT: COPPER ALLOY
- CONTACT PLATING:  
SEPARABLE INTERFACE: PERFORMANCE-BASED PLATING, QUALIFIED TO MEET THE REQUIREMENTS OF FCI PRODUCT SPECIFICATION GS-12-239 INCLUDING TELCORDIA GR-1217-CORE (NOVEMBER 1995) CENTRAL OFFICE TEST SEQUENCE  
PRESS-FIT TAILS: SEE TABLE
- PRODUCT SPECIFICATION: GS-12-239.
- APPLICATION SPECIFICATION: GS-20-035.
- PRODUCT MARKING, (PROTOTYPE, PART NUMBER & LOT CODE), ON THIS SURFACE.
- THE MINIMUM CENTERLINE SPACING BETWEEN ADJACENT MODULES IS 20.0 mm.
- CONNECTOR OUTLINE WITH HOUSING POS AI INDICATOR MAY BE SCREEN PRINTED ONTO CUSTOMER PCB TO BE USED AS A GUIDE FOR MANUAL CONNECTOR PLACEMENT.
- REFER TO CUSTOMER DRAWING 10045979 FOR INFORMATION ON PCB HOLE DIAMETERS AND PLATING OPTIONS.
- THIS PRODUCT MEETS EUROPEAN UNION DIRECTIVES AND OTHER COUNTRY REGULATIONS AS DESCRIBED IN GS-22-008.
- PACKAGING MEETS GS-14-920 LEAD FREE LABELING SPECIFICATION.
- FOR REMOVAL OF THE PROTECTIVE CAP BY HAND GRIP USING THESE SURFACES. 
- FOR REMOVAL OF THE PROTECTIVE CAP WITH PLIERS GRIP USING THIS FEATURE. 



10115033-101LF



DETAIL A  
SCALE 16:1

spec ref	-	dr	Mark Gray	2010/06/28	projection	MM	size	A2	scale	5:1
tolerance std	ASME Y14.5	eng	Tao Zhan	2013/08/15			ecn no	ELX-DG-15488-1		
		chr	-	rel level			Released			
surface	✓	appr	Pei-Ming Zheng	2013/08/19	product family	AIRMAX VS	cat. no.	10115033	rev	B
ASME Y14.5	linear	0.X	±0.3		title		AIRMAX VS2 VERTICAL HEADER		Product - Customer Drw sheet 4 of 4	
		0.XX	±0.10		PRESS-FIT, 150 POS, 20.0 mm					
	angular	0°	±2°		www.fci.com					