

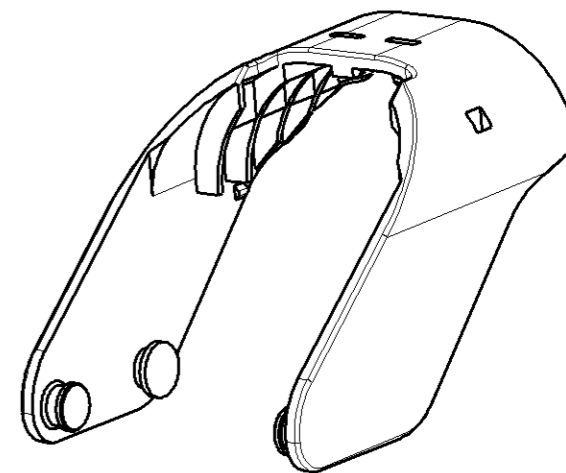
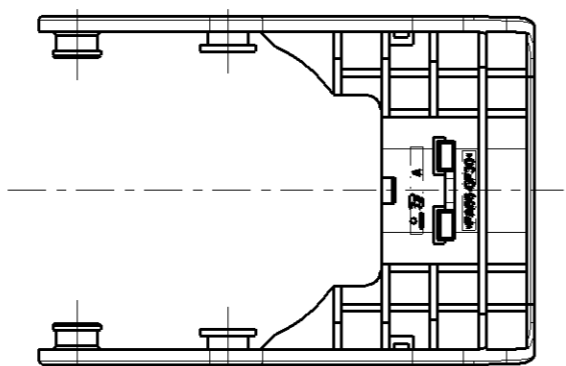
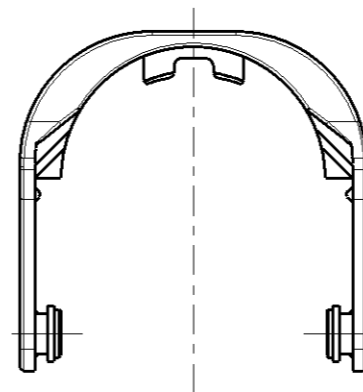
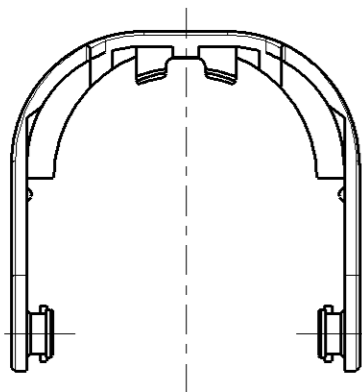
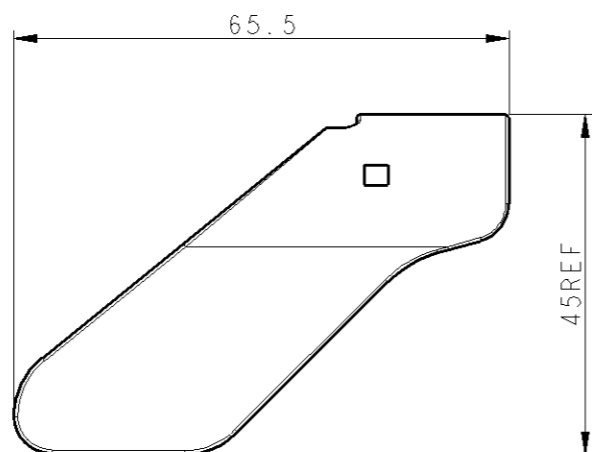
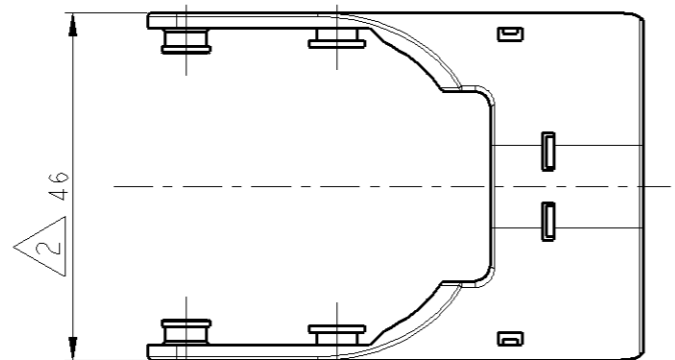
THIS DRAWING IS UNPUBLISHED.

RELEASED FOR PUBLICATION

20

© COPYRIGHT 20 BY TYCO ELECTRONICS CORPORATION. ALL RIGHTS RESERVED.

| LOC | DIST | REVISIONS   |         |     |      |
|-----|------|-------------|---------|-----|------|
| P   | LTR  | DESCRIPTION | DATE    | DWN | APVD |
| DS  | -    |             |         |     |      |
|     | A    | RELEASED    | 21APR08 | YH  | HG   |



3D VIEW SCALE 1:1

NOTE  
 1. GENERAL TOLERANCE:  $\pm 0.5$ ,  $\pm 3^\circ$   
 2. WARPAGE PERMITTED MAX. 8mm  
 3. APPLICATION TEST SPEC: MS210-06-A2[EXT-2](EXCEPT 4.4)

|       |           |             |           |
|-------|-----------|-------------|-----------|
| BLACK | PA66-GF30 | LEVER HSG   | 1897646-2 |
| COLOR | MATERIAL  | DESCRIPTION | P/N       |

|                                                                                                                                                                                                |                                                                                                                                               |                                                                                                           |                                                                                                                                   |
|------------------------------------------------------------------------------------------------------------------------------------------------------------------------------------------------|-----------------------------------------------------------------------------------------------------------------------------------------------|-----------------------------------------------------------------------------------------------------------|-----------------------------------------------------------------------------------------------------------------------------------|
| THIS DRAWING IS A CONTROLLED DOCUMENT FOR TYCO ELECTRONICS CORPORATION<br>IT IS SUBJECT TO CHANGE AND THE CONTROLLING ENGINEERING ORGANIZATION<br>SHOULD BE CONTACTED FOR THE LATEST REVISION. |                                                                                                                                               | DWN YH MA<br>CHK YM CHOI<br>APVD HG CHO<br>PRODUCT SPEC<br>APPLICATION SPEC<br>WEIGHT<br>CUSTOMER DRAWING | Tyco Electronics<br>Kyungsan, Korea<br>NAME<br>LEVER HSG FOR CPA<br>SIZE A3 CAGE CODE 00779 C DRAWING NO 1897646<br>RESTRICTED TO |
| DIMENSIONS:<br>mm<br>                                                                                                                                                                          | TOLERANCES UNLESS OTHERWISE SPECIFIED:<br>0 PLC $\pm$<br>1 PLC $\pm$<br>2 PLC $\pm$<br>3 PLC $\pm$<br>4 PLC $\pm$<br>ANGLES $\pm$<br>FINISH - | SCALE 1:1<br>SHEET 1 OF 1<br>REV A                                                                        |                                                                                                                                   |