

THIS DRAWING IS UNPUBLISHED.

RELEASED FOR PUBLICATION

,19 .

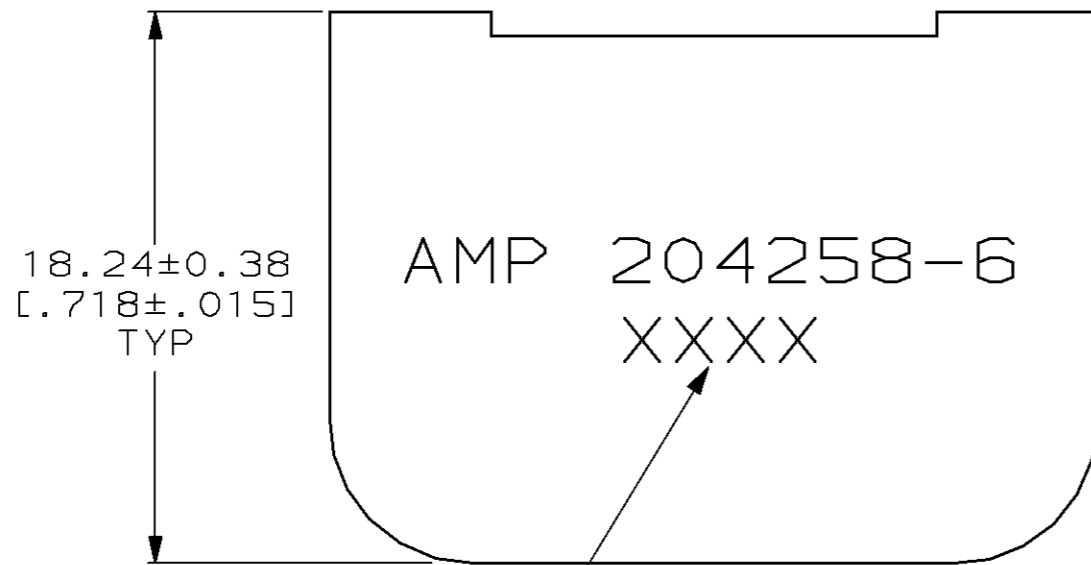
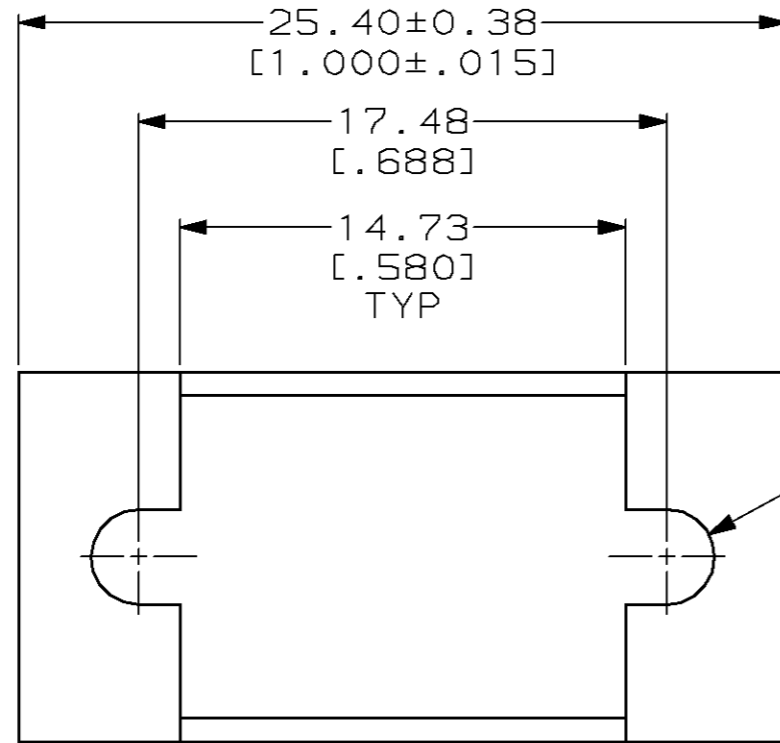
© COPYRIGHT 19

BY AMP INCORPORATED. ALL RIGHTS RESERVED.

LOC FT DIST 8

REVISIONS

P	LTR	DESCRIPTION	DATE	DWN	APVD
	C	REDRAWN W/O CHANGE PER EC 0020-292-96	29 APR 96	BC	GS



1.57 [.062] R TYP

DATE CODE

12.70±0.51 [.500±.020]

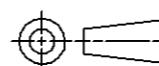
204258-6

PART NUMBER

THIS DRAWING IS A CONTROLLED DOCUMENT.

DIMENSIONS:  
mm [INCHES]

TOLERANCES UNLESS OTHERWISE SPECIFIED:



0 PLC	±-
1 PLC	±-
2 PLC	±0.13 [.005]
3 PLC	±-
4 PLC	±-
ANGLES	±-

MATERIAL CARBON STEEL

FINISH 5.08µm [.000200] MIN NICKEL PER QQ-N-290

DWN B. CARBO 29 APR 96

CHK R. STONE 16 MAY 96

APVD G. STEINHAUER 22 AUG 96

PRODUCT SPEC

APPLICATION SPEC

WEIGHT -

CUSTOMER DRAWING

**AMP** AMP Incorporated Harrisburg, PA 17105-3608

NAME PIN HOOD, 6 POSITION, MINIATURE RECTANGULAR, W/O SHIELD, M SERIES

SIZE A3 CAGE CODE 00779 DRAWING NO C-204258

SCALE 4:1 SHEET 1 OF 1 REV C