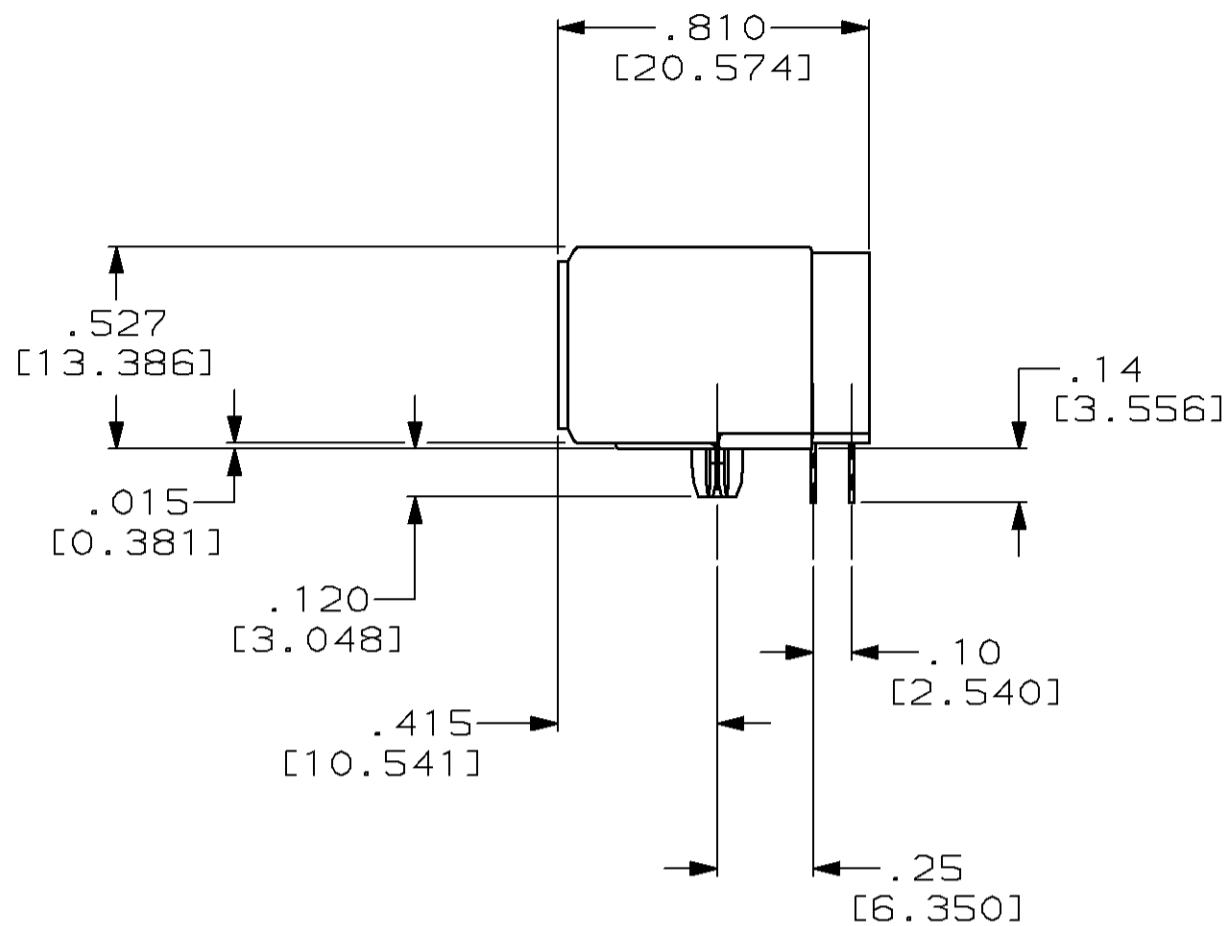
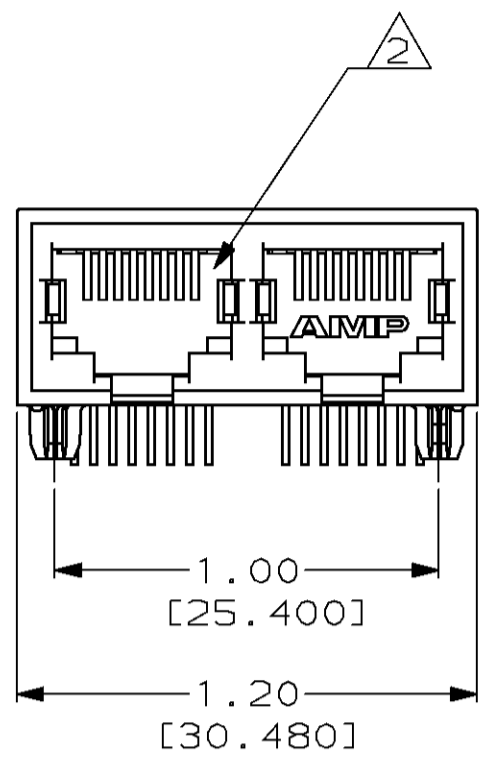
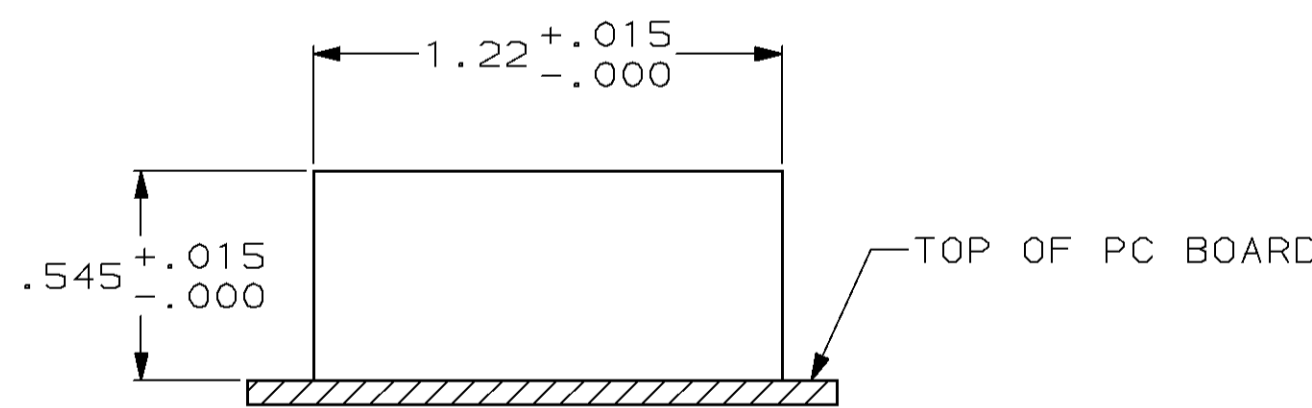
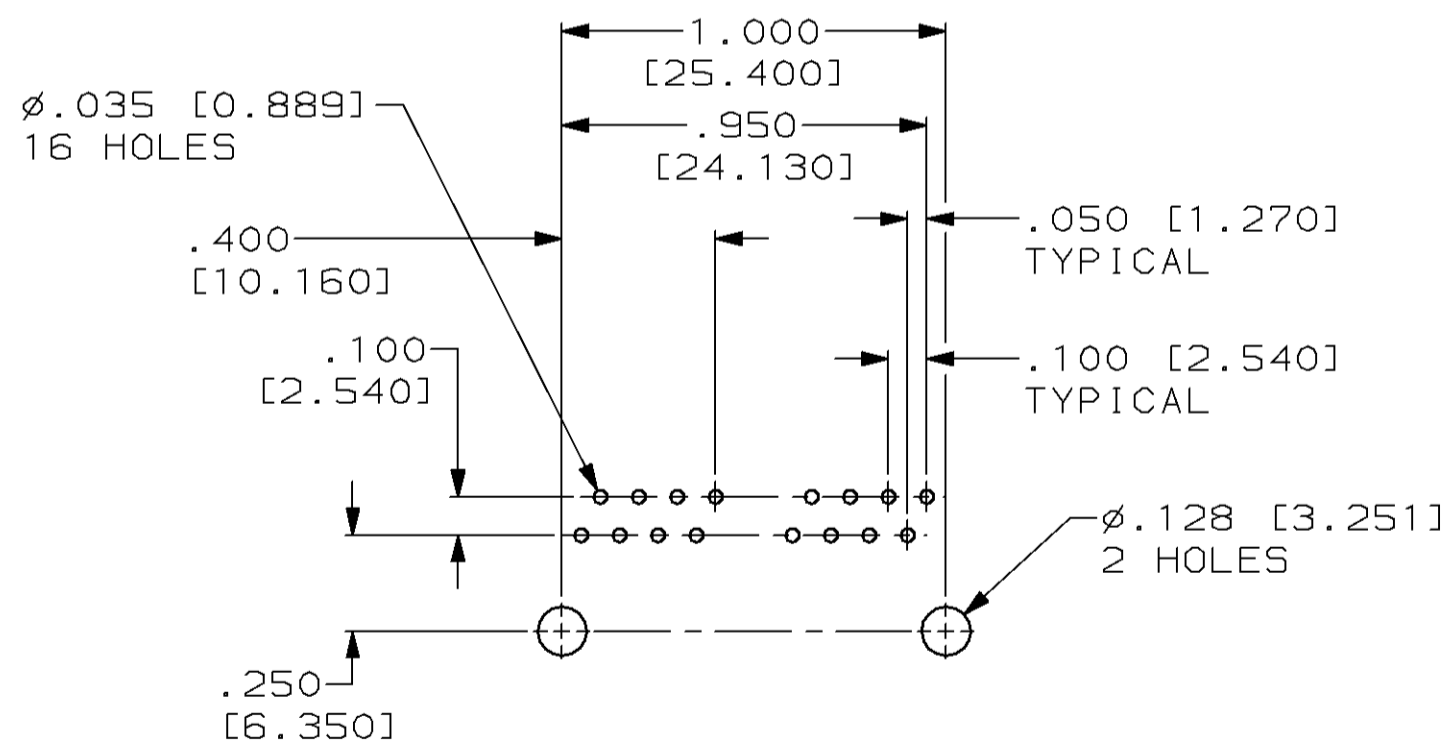


THIS DRAWING IS UNPUBLISHED. RELEASED FOR PUBLICATION
 © COPYRIGHT 19 BY AMP INCORPORATED. ALL RIGHTS RESERVED.

Loc		DIST		REVISIONS			
P	LTR	DESCRIPTION	DATE	DWN	APVD		
AA	22	B	REV; EC 0502-0024-96	300CT96	DS	EL	



- 1 MATERIAL: HOUSING - HTN NYLON, BLACK, IR REFLOW PROCESSING COMPATIBLE, UL 94V-0. TERMINALS - .013[0.33] THICK PHOS BRONZE PLATED WITH .000050[1.27µm] THICK HARD GOLD IN LOCALIZED AREA AND .000150[3.81µm] THICK TIN-LEAD IN SOLDER AREA OVER .000050[1.27µm] THICK NICKEL UNDERPLATE.
- 2 JACK CAVITY CONFORMS TO FCC RULES AND REGULATIONS, PART 68 SUBPART F.
- 3. ALL DIMENSIONS SHOWN ARE NOMINAL UNLESS OTHERWISE SPECIFIED.
- 4. ALL DIMENSIONS SHOWN IN BRACKETS [] ARE IN MILLIMETERS.



SUGGESTED PANEL CUTOUT

SUGGESTED PC BOARD LAYOUT
 COMPONENT SIDE
 SEE APPLICATION SPECIFICATION

557560-1
 PART NO.

THIS DRAWING IS A CONTROLLED DOCUMENT FOR AMP INCORPORATED. IT IS SUBJECT TO CHANGE AND THE CONTROLLING ENGINEERING ORGANIZATION SHOULD BE CONTACTED FOR THE LATEST REVISION.		DWN V. SLACK 1-17-92	AMP Incorporated Harrisburg, PA 17105-3608	
DIMENSIONS: INCHES [mm]		CHK B. FOX 6-8-92	NAME	
TOLERANCES UNLESS OTHERWISE SPECIFIED:		APVD G. REED 6-8-92	PRODUCT SPEC	
0 PLC ±-		108-1392		
1 PLC ±-		APPLICATION SPEC		
2 PLC ±.01 [0.254]		114-2048		
3 PLC ±.005 [0.127]		WEIGHT		
4 PLC ±-		-		
ANGLES ±-		SIZE		
FINISH		A2		
MATERIAL		CAGE CODE		
1		00779		
DRAWING NO		C=557560		
CUSTOMER DRAWING		SCALE		
		2:1		
		SHEET		
		1 OF 1		
		REV		
		B		