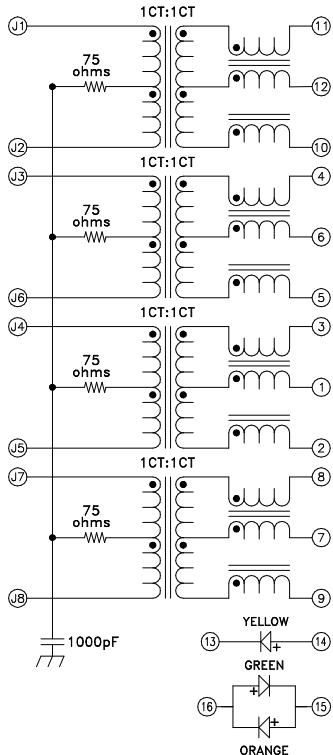
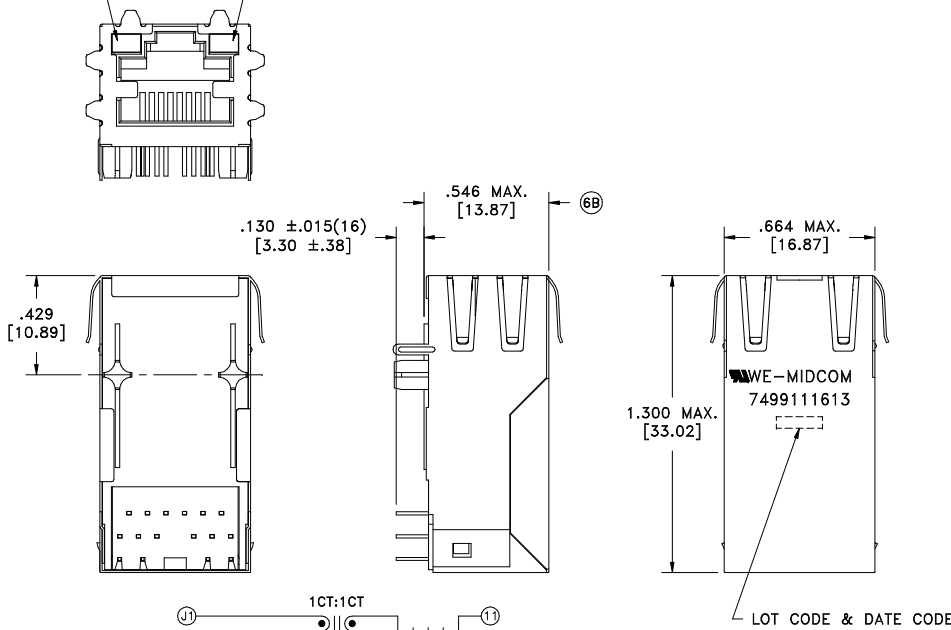


CUSTOMER TERMINAL	RoHS	LEAD(Pb)-FREE
Sn100%	Yes	Yes



GREEN/ORANGE YELLOW



ELECTRICAL SPECIFICATIONS @ 25°C unless otherwise noted:

PARAMETER	TEST CONDITIONS	VALUE
INDUCTANCE	J1-J2	100kHz, 100mVAC, 8mADC, Lp 350uH min.
INDUCTANCE	J3-J6	100kHz, 100mVAC, 8mADC, Lp 350uH min.
INDUCTANCE	J4-J5	100kHz, 100mVAC, 8mADC, Lp 350uH min.
INDUCTANCE	J7-J8	100kHz, 100mVAC, 8mADC, Lp 350uH min.
DIELECTRIC	P1-12 to J1-J8	- 1500Vrms, 1 minute
URNS RATIO		Per schematic -
INSERTION LOSS	1M - 100MHz	-1.0dB max.
RETURN LOSS	1M - 30MHz	-18dB min.
RETURN LOSS	30M - 60MHz	-15dB min.
RETURN LOSS	60M - 80MHz	-12dB min.
RETURN LOSS	80M - 100MHz	-10dB min.
CROSSTALK	1M - 30MHz	-40dB typ.
CROSSTALK	30M - 60MHz	-35dB typ.
CROSSTALK	60M - 100MHz	-30dB typ.
CMRR	1M - 100MHz	-30dB min.

GENERAL SPECIFICATIONS:

OPERATING TEMPERATURE RANGE: 0°C to +70°C.

6B MATERIAL AND FINISH:

Housing: PBT Black per UL 94-V0
 Contact: Phosphor-Bronze
 Contact Plating: Au 30u" plating in contact area
 Ni 30u" min. plating in all area
 Sn 120u" min. in solder area

Shield: C2680R-H

LED (Yellow): Frwd Voltage typ.: 2.1V
 Frwd Voltage max.: 2.3V
 Drive Current: 20mA
 Wave Length: 589nm

LED (Green/Orange): Frwd Voltage typ.: 2.1V
 Frwd Voltage max.: 2.6V
 Drive Current: 20mA
 Wave Length: 565/605nm

RECOMMENDED
P.C. PATTERN, COMPONENT SIDE

REV.	DATE
6B	2/09
6A	9/08

AGENCY NUMBER	
UL60950-1	E205930

Packaging Specifications
 Method: Tray
 PKG-0573
 www.midcom-inc.com

Unless otherwise specified:
 Tolerances: Fractions: ±1/64
 Angles: ±1° Decimals: ±0.10 [.25]

This drawing is dual dimensioned. Dimensions in brackets are in millimeters.

DRAWING TITLE

**TRANSFORMER
GIGABIT**

eiSos p/n: 7499111613



DRAWING NO.

7499111613

REVISIONS: SEE SHEET 1

SCALE ---

SHEET 2 OF 6