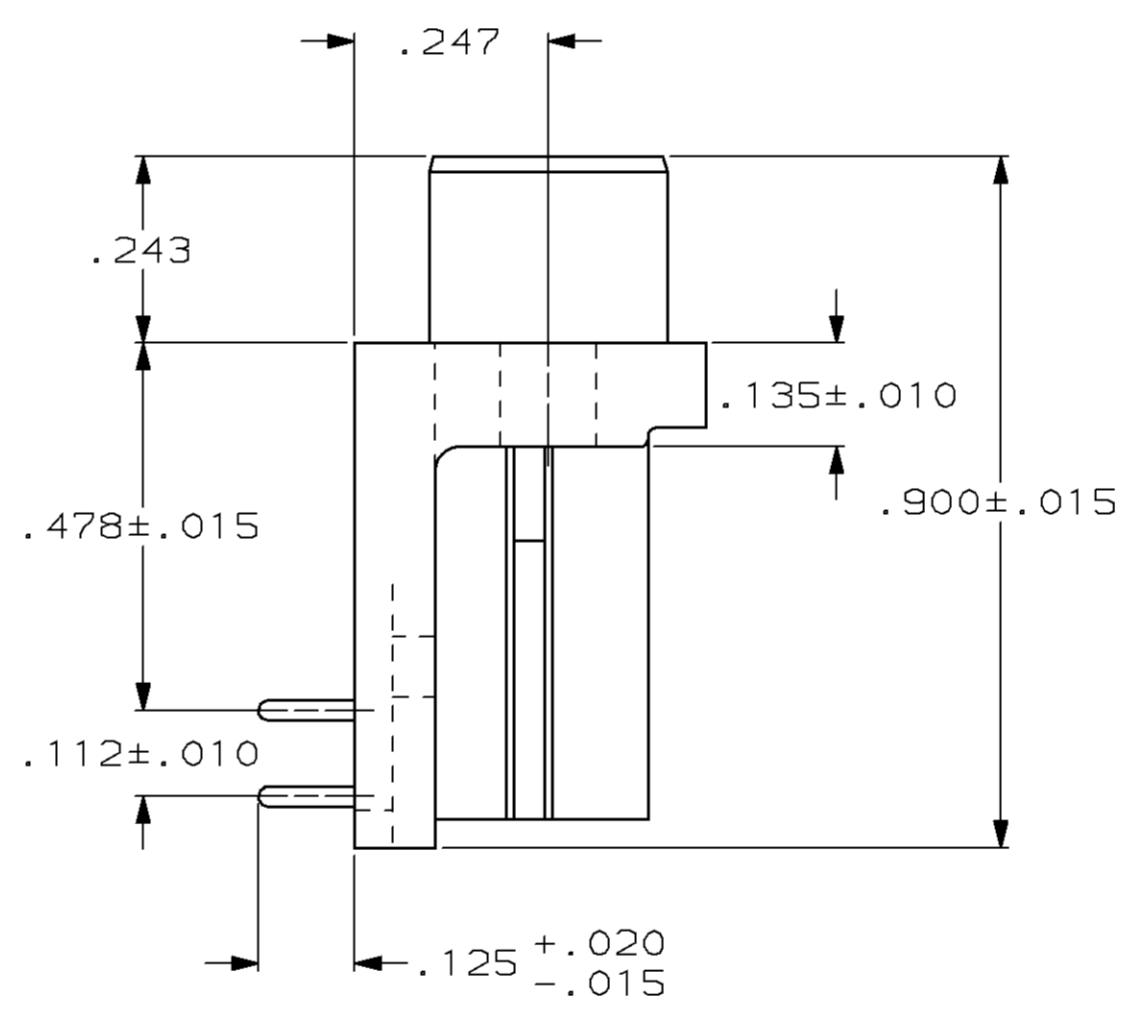
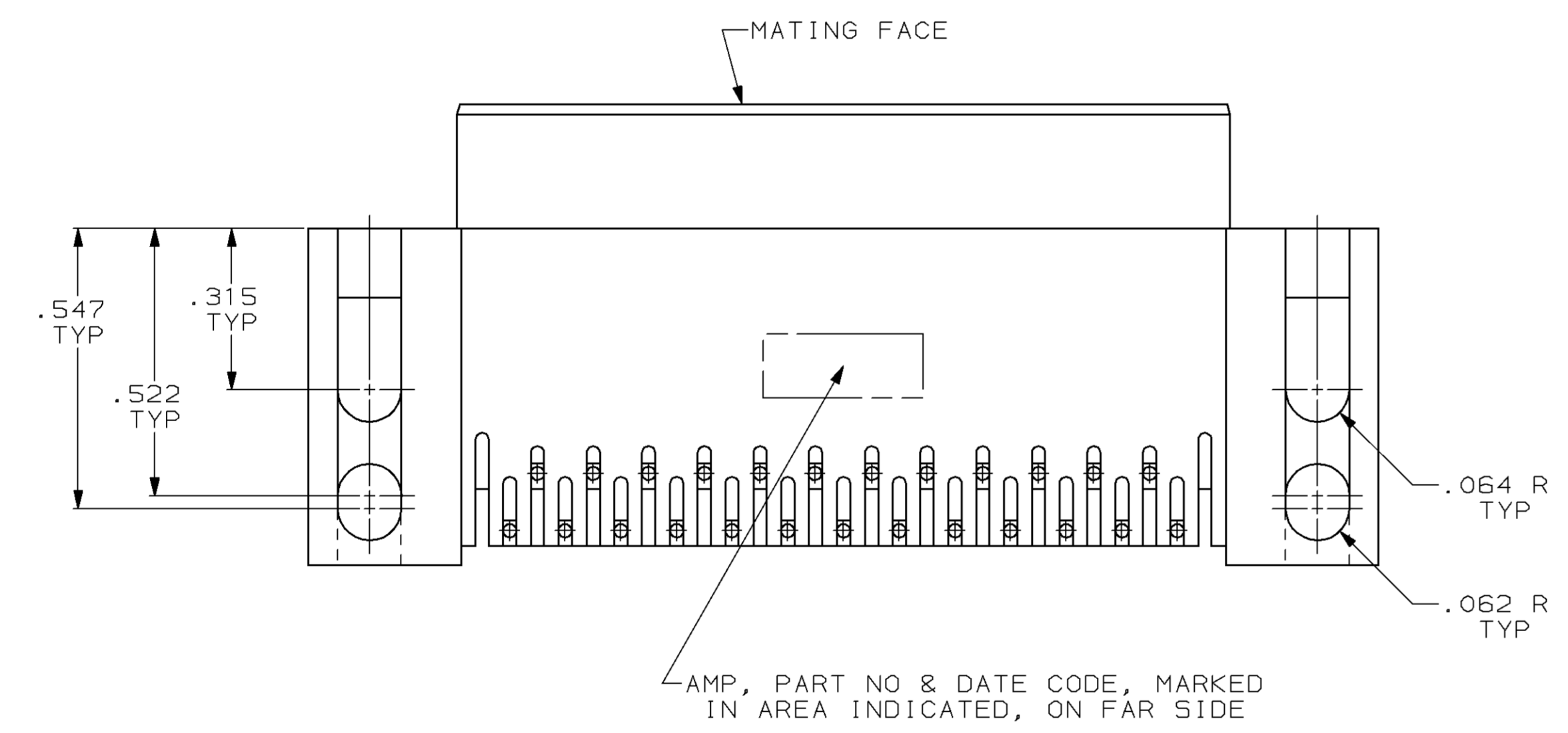
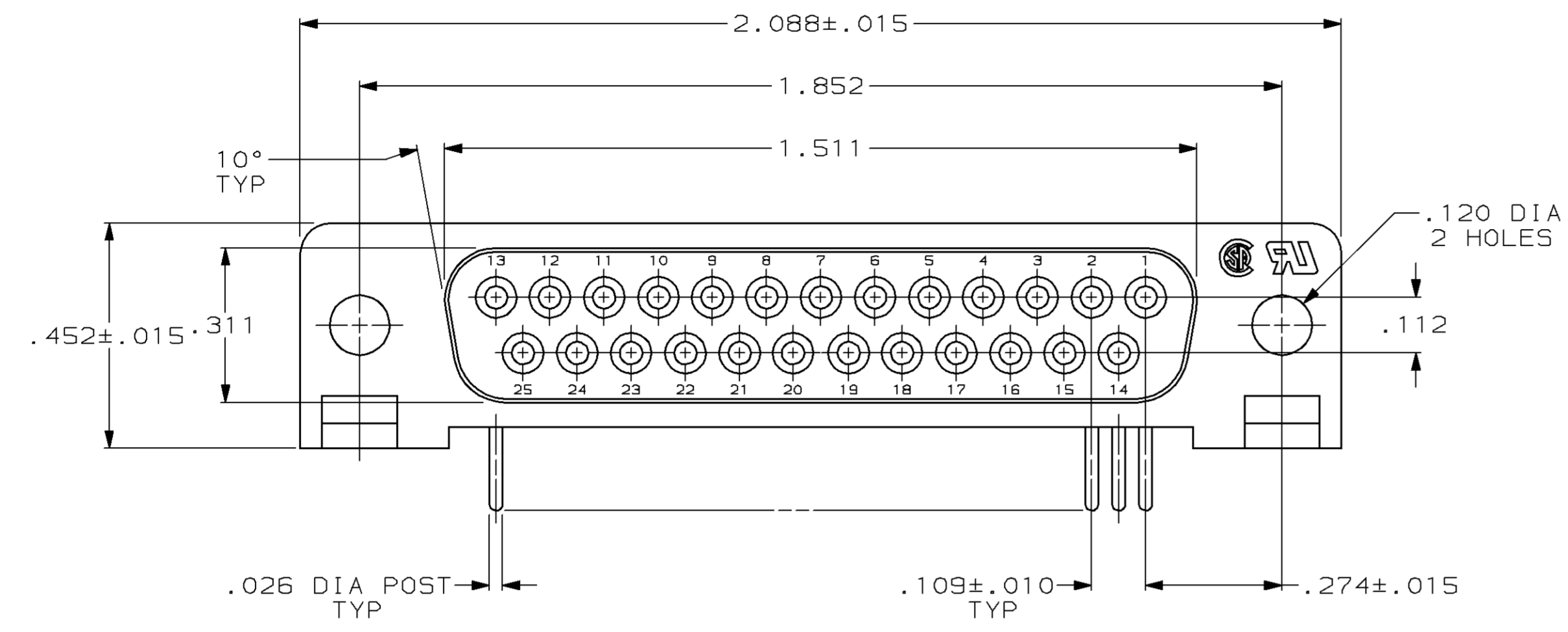
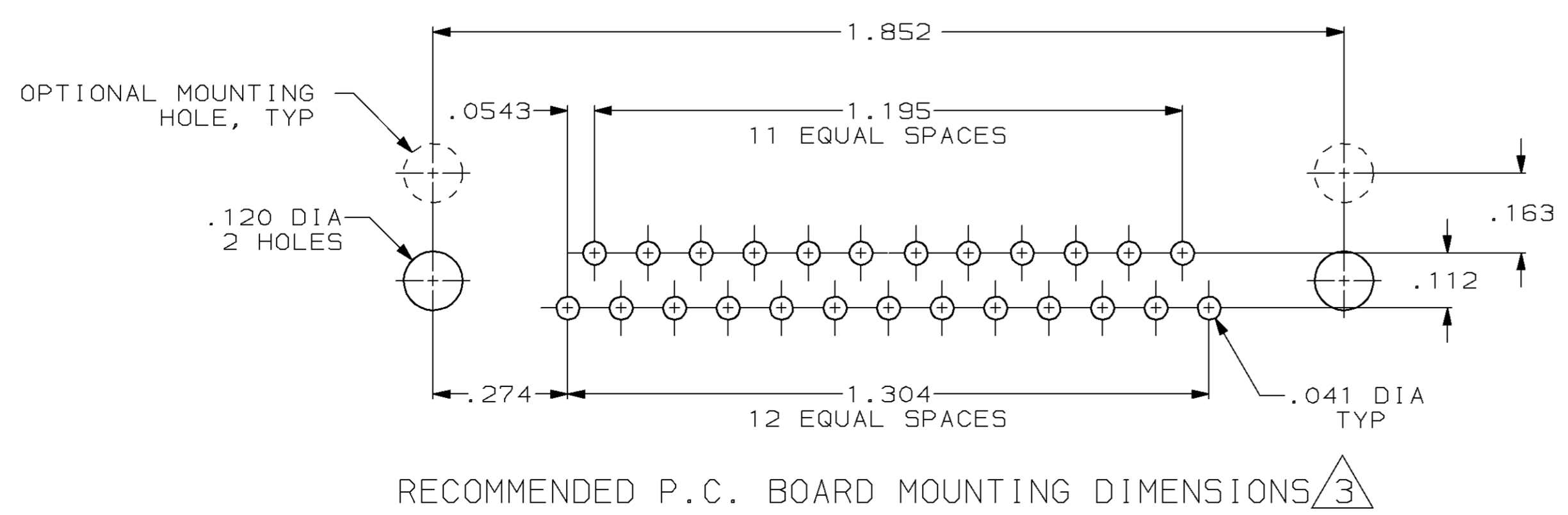


DRAWING MADE IN THIRD ANGLE PROJECTION  
 THIS DRAWING IS UNPUBLISHED. RELEASED FOR PUBLICATION  
 © COPYRIGHT 19 BY AMP INCORPORATED, HARRISBURG, PA. ALL INTERNATIONAL RIGHTS RESERVED. AMP PRODUCTS MAY BE COVERED BY U.S. AND FOREIGN PATENTS AND/OR PATENTS PENDING.

LOC		DIST		REV		ZONE		LTR		DESCRIPTION		DATE	APPD		
BD	77	P	F					F	REV	PER	EC	0020-1448-95	10 JAN 96	RLT	
								G	SUPSD	-1	PER	EC	0020-570-96	27 FEB 97	RT



- ① FLAME RETARDANT, 94V-0 RATED, GLASS FILLED NYLON OR POLYESTER, COLOR: BLACK.
- ② PHOS. BRONZE PER QQ-B-750.
- ③ REFER TO APPLICATION SPEC FOR RECOMMENDED P.C. BOARD MOUNTING DIMENSIONS FOR AUTOMATIC INSERTION.
- ④ GOLD PLATING PER MIL-G-45204, TIN PLATING PER MIL-T-10727, NICKEL PLATING PER QQ-N-290.
- ⑤ PLATED WITH GOLD FLASH FOR LENGTH OF .055 MIN FROM MATING END, WITH POINT OF MEASUREMENT .035 FROM MATING END OF CONTACT, .000100-.000200 TIN OR TIN-LEAD ON SOLDER END, ALL OVER .000050 NICKEL ON ENTIRE CONTACT.
- ⑥ PLATED WITH .000030 GOLD FOR LENGTH OF .055 MIN FROM MATING END, WITH POINT OF MEASUREMENT .035 FROM MATING END OF CONTACT, .000100-.000200 TIN OR TIN-LEAD ON SOLDER END, ALL OVER .000050 NICKEL ON ENTIRE CONTACT.
- ⑦ PLATED WITH SOFT GOLD FLASH OVER ENTIRE CONTACT, FOLLOWED BY SELECTIVELY PLATED HARD GOLD, TOTAL GOLD THICKNESS TO BE .000015 MIN FOR LENGTH OF .055 MIN FROM MATING END, WITH POINT OF MEASUREMENT .035 FROM MATING END OF CONTACT, GOLD FLASH ON REMAINDER, ALL OVER .000050 NICKEL ON ENTIRE CONTACT.



RECOMMENDED P.C. BOARD MOUNTING DIMENSIONS ③

OBSOLETE	①	745085-3
	②	745085-2
SUPSD BY 745085-2	③	745085-1
	FINISH	PART NUMBER

UNLESS OTHERWISE SPECIFIED DIMENSIONS ARE IN INCHES TOLERANCES ON:		DR 4-7-87 S. WELDON		<b>AMP</b> AMP INCORPORATED Harrisburg, Pa. 17105	
2 PL DEC ± .005		CHK 4-13-87 C. RICHARD			
3 PL DEC ± .005		APPD 4-27-87 B. TAYLOR		NAME RECEPTACLE ASSY, SIZE 3, 25 POSN, RIGHT ANGLE, .478 SERIES, .026 DIA POSTS, AMPLIMITE® HD-20	
ANGLES ± 2°		APPD 5-5-87 J. ASSINI			
MATERIAL		PRODUCT SPEC		SIZE	
MOLDED PARTS: ①		108-40005		FSCM NO	
CONTACTS: ②		APPLICATION SPEC		DRAWING NO	
FINISH ④		114-40015		D 00779	
CONTACTS: SEE TABLE		WEIGHT		745085	
		SCALE 4:1		SHEET 1 of 1	