

DESCRIPTION: COAXIAL - VERTICAL BOARD - MALE

SPECIFICATIONS:

ELECTRICAL:

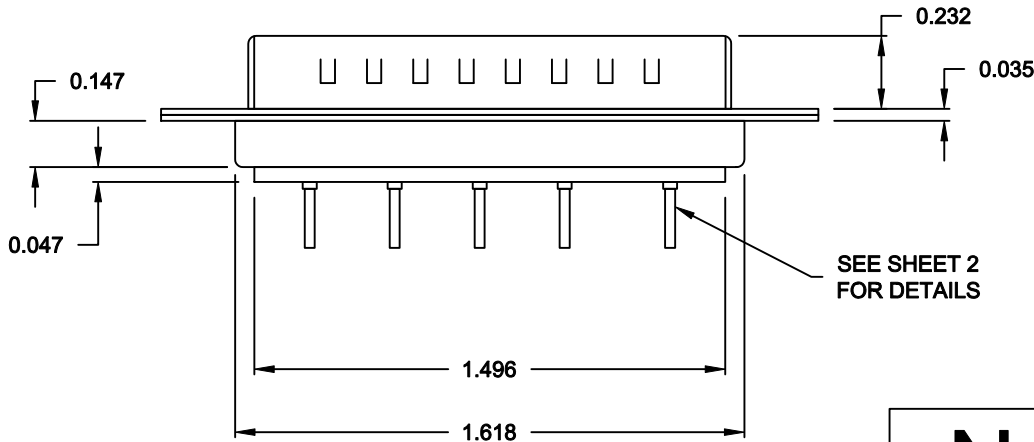
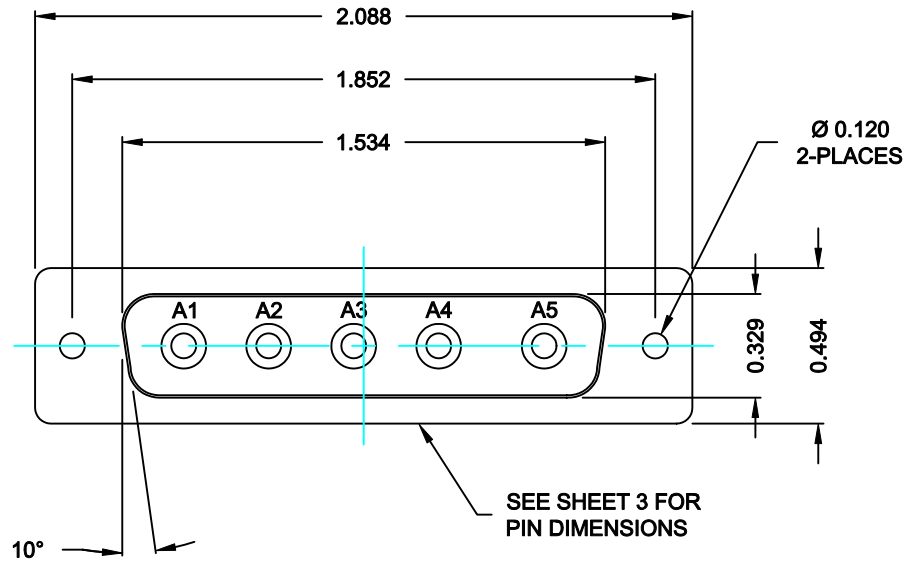
INSULATOR RESISTANCE: 5,000 MegOHMS Min.
 DIELECTRIC WITHSTANDING: 1,000VAC r.m.s.
 OPERATING TEMPERATURE: -55° C ~ +125° C
 CONTACT RESISTANCE: 30 MilliOHMS Max.
 COAXIAL PINS: 50 OHM

MECHANICAL:

CONTACT INSERTION FORCE: 4.5 Kg Max.
 CONTACT SEPARATOR FORCE: 0.3Kg Min.

MATERIALS:


CONTACTS: BRASS
 INSULATOR: PBT UL94V-0 RATED,
 230°C PROCESS TEMP.
 SHELL: STEEL
 FINISH: NICKEL



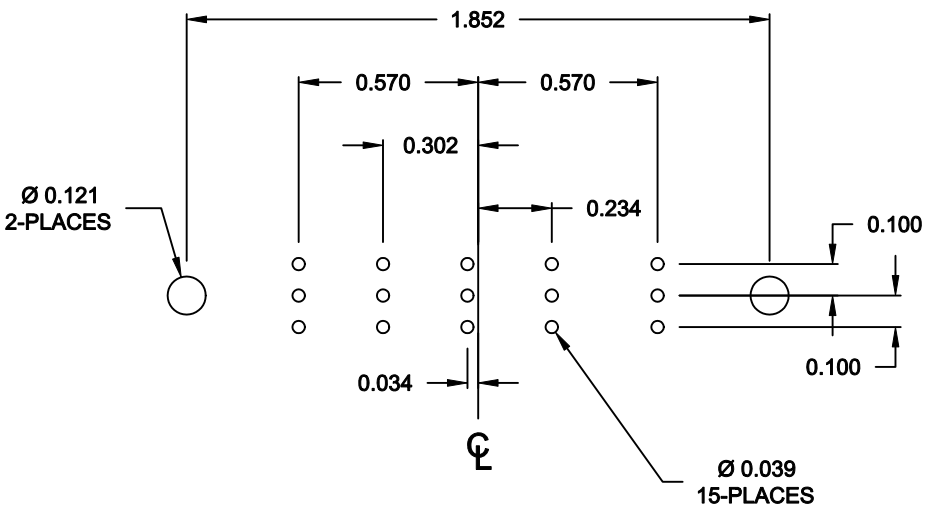
6835W5103L001

00 = 50 OHM COAXIAL

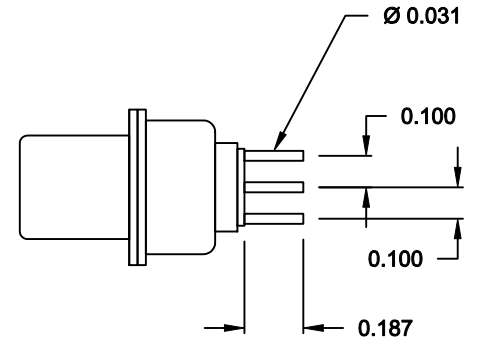
RoHS COMPLIANT

	THESE DRAWINGS AND SPECIFICATIONS ARE THE PROPERTY OF NorComp AND SHALL NOT BE REPRODUCED, COPIED OR USED AS THE BASIS FOR THE MANUFACTURE OF SALE OF APPARATUS WITHOUT WRITTEN PERMISSION.		DRAWN: C. SMITH	DATE: 09-22-06
			CHECKED: X	DATE: X
NorComp		SCALE: N.T.S.	SHEET 1 OF 2	REV 1
		DWG NO. 6835W5103L001		

NOTE:
COAXIAL CONTACTS COME
PRE-LOADED INTO INSULATORS




RECOMMENDED PCB LAYOUT



50 OHM COAXIAL CONTACT

RoHS COMPLIANT

	THESE DRAWINGS AND SPECIFICATIONS ARE THE PROPERTY OF NorComp AND SHALL NOT BE REPRODUCED, COPIED OR USED AS THE BASIS FOR THE MANUFACTURE OF SALE OF APPARATUS WITHOUT WRITTEN PERMISSION.	DRAWN: C. SMITH	DATE: 09-22-06
		CHECKED: X	DATE: X
<h1>NorComp</h1>	SCALE: N.T.S.	SHEET 2 OF 2	REV 1
	DWG NO. 6835W5103L001		