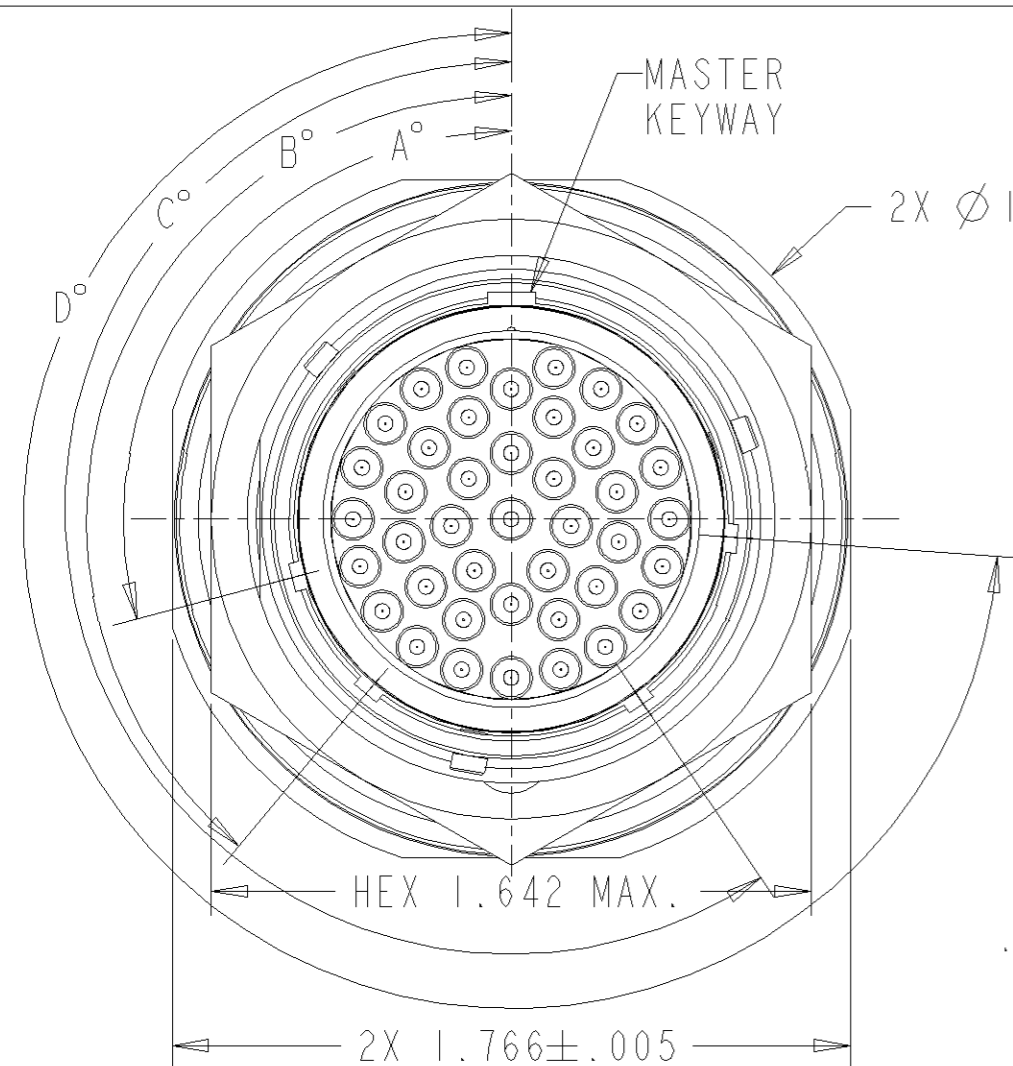


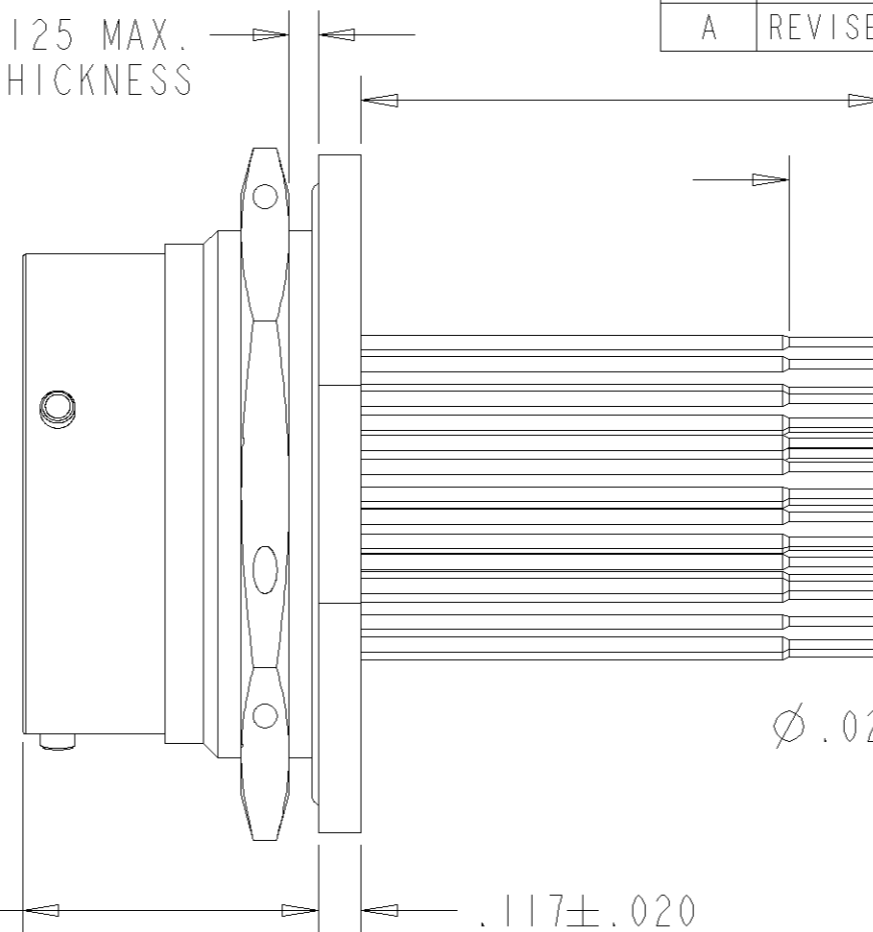
| REVISIONS | | | |
|-----------|---------------------------|----------|----------|
| REV | DESCRIPTIONS | DATE | APPROVED |
| N/C | NEW RELEASE PER E.O.H4307 | 11/13/06 | M.A. |
| A | REVISED PER E.O. D0267 | 120913 | J.P.F. |



.125 MAX. PANEL THICKNESS

2X Ø 1.860 MAX.

.781 MAX.

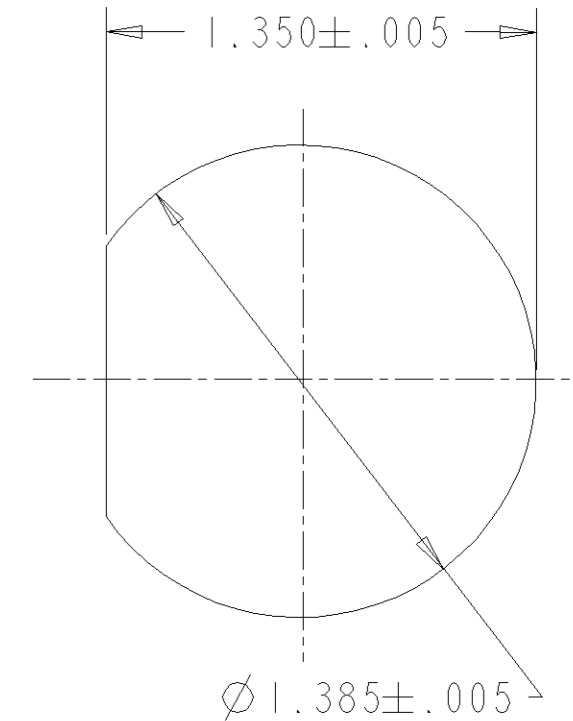


1.363 ± .030 TYP

.250 ± .010 TYP

Ø .025 ± .002 TYP

.117 ± .020



RECOMMENDED MOUNTING HOLE

- DIMENSIONS ARE IN INCHES UNLESS OTHERWISE SPECIFIED.
- INSERT ARRANGEMENT PER MIL-STD-1554.
- LEAK RATE: $1E-8$ cc/sec He @ 1 atm.
- INSULATION RESISTANCE: >5000 MEGOHM @ 500 VDC
DIELECTRIC WITHSTANDING VOLTAGE: NO BREAKDOWN @ 1800 VAC
- MATERIAL:

- SHELL - MILD STEEL
- (A) JAM NUT - MILD STEEL
- INSULATOR - GLASS INSERT
- CONTACT - 52 HIGH NICKEL-IRON ALLOY
- INTERFACIAL SEAL - SILICONE
- O-RING - SILICONE
- 6. FINISH:
- SHELL - TIN OVER NICKEL PLATING
- CONTACT - GOLD OVER NICKEL


NOTE(S):

| DEUTSCH P/N * | POS. | A° | B° | C° | D° |
|---------------|------|-----|-----|-----|-----|
| 94671-20-41PN | N | 105 | 140 | 215 | 265 |
| 94671-20-41P6 | 6 | 18 | 149 | 192 | 259 |
| 94671-20-41P7 | 7 | 92 | 152 | 222 | 342 |
| 94671-20-41P8 | 8 | 84 | 152 | 204 | 334 |
| 94671-20-41P9 | 9 | 24 | 135 | 199 | 240 |
| 94671-20-41PY | Y | 98 | 152 | 268 | 338 |

FILE:94671-20-41PX-ENV

| | SIGNATURE & DATE |
|--------|--------------------|
| DR | S.LUI 11/10/06 |
| CHK | M.ALLEN 11/13/06 |
| PE | A.RENGIFO 11/13/06 |
| APPD | A. RENGIFO 120917 |
| SCALE: | 2:1 |

RECEPTACLE
JAM NUT MOUNTING
BAYONET COUPLING
HERMETIC
MIL-C-83723 TYPE
W/ REDUCED DIA. PINS
ENVELOPE

| | |
|---|------------------------------|
| CP | MATL CODE 74 |
| DEUTSCH ENGINEERED INTERCONNECT SOLUTIONS  250 Eddie Jones Way Oceanside, CA 92058 | |
| B | 94671-20-41P* |
| DWG SIZE | CAGE CODE 11139 SHEET 1 OF 1 |