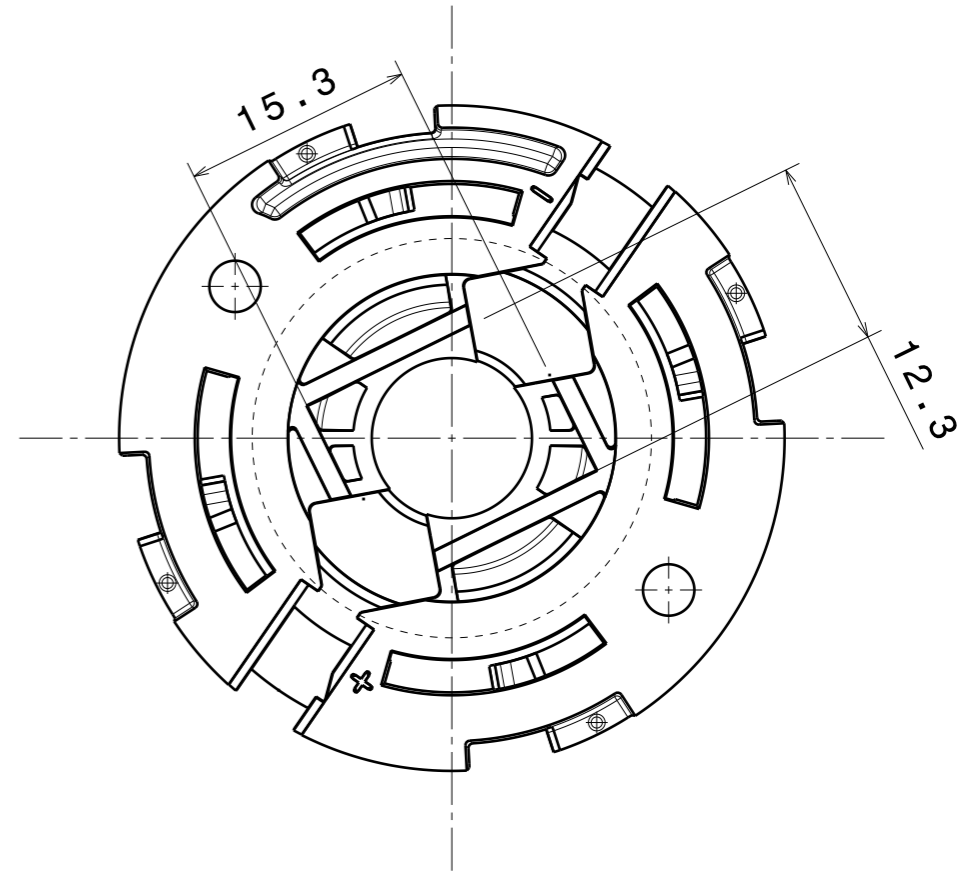


Section A-A ①



COMPONENTS

INDEX	PRODUCT	TYPE	MATERIAL	COLOUR/COATING
1	F15848_HEKLA-SOCKET-G	SOCKET	PBT	WHITE

MECHANICAL DRAWING

PRODUCT
KONNTAKT-family

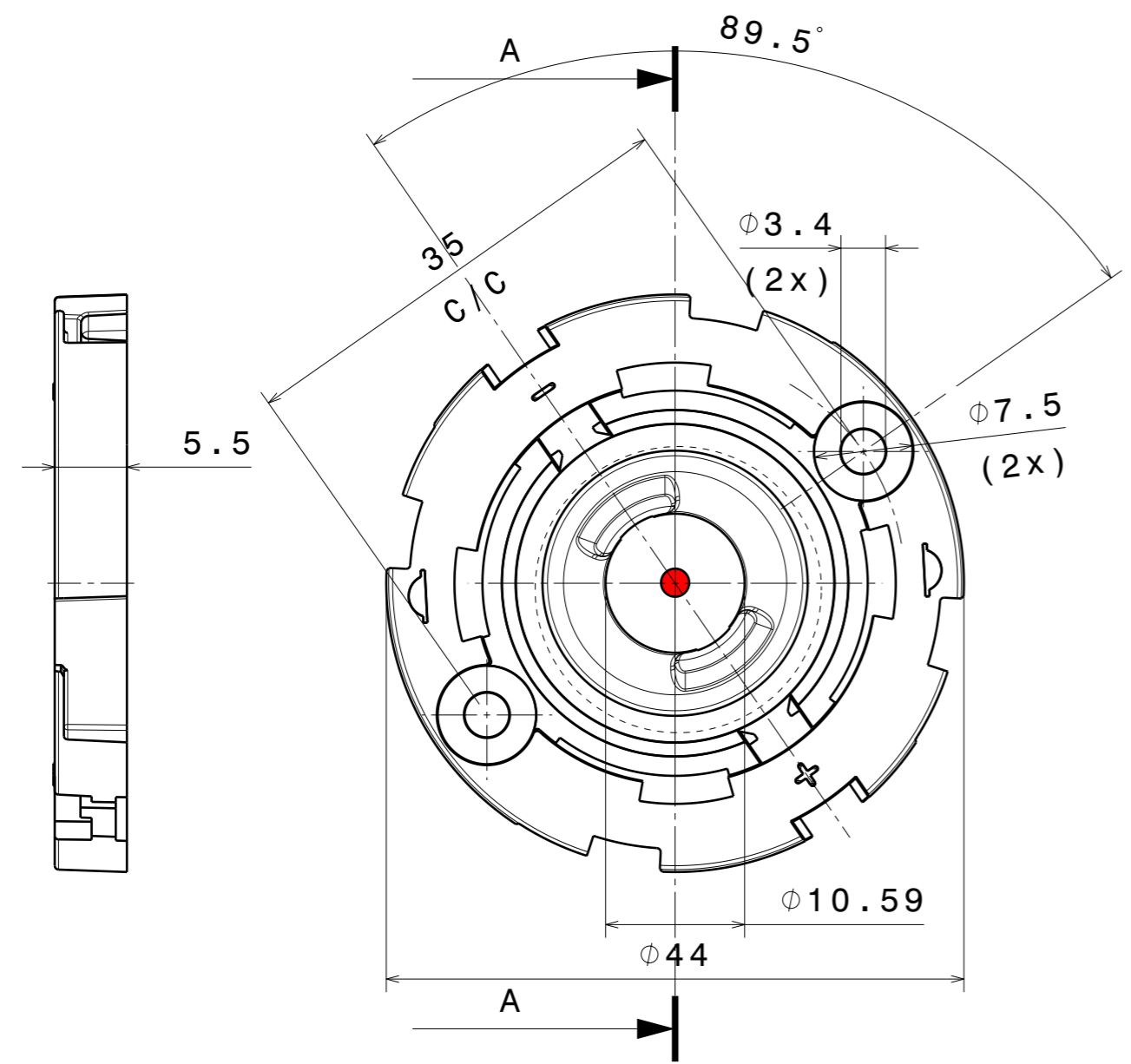


Tolerances if not otherwise shown
According to DIN ISO 2768-1
Linear measures:
Up to 30mm class M, otherwise class C.
According to DIN ISO 2768-2
Form and position: class L

FIRST ANGLE PROJECTION:

This drawing is the property of LEDiL Oy. It may not be reproduced, copied or communicated without a written agreement with LEDiL Oy.

SCALE 2:1 (1:1) SIZE A3 SHEET 1



Notes

①	1	PCB or Heat Sink level
②	2	Led location see marking.
③	3	Ensure LED fitting, see our web site and/or 3D model for part detail.
④	4	See installation details FP15947