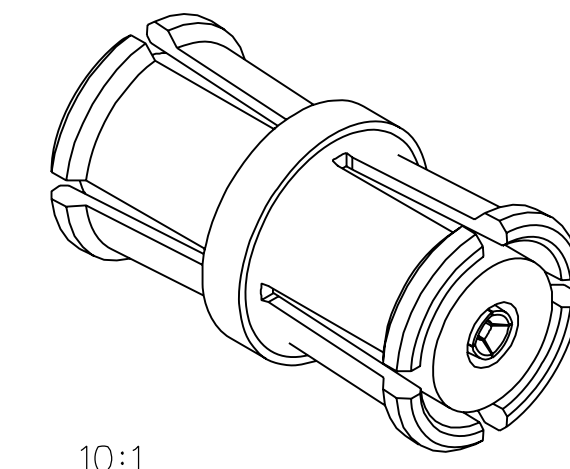
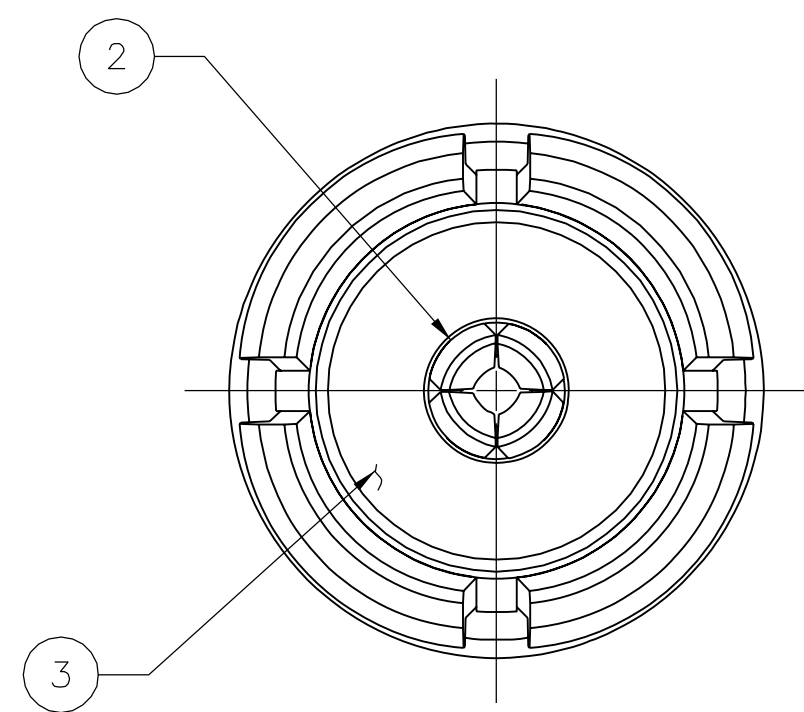
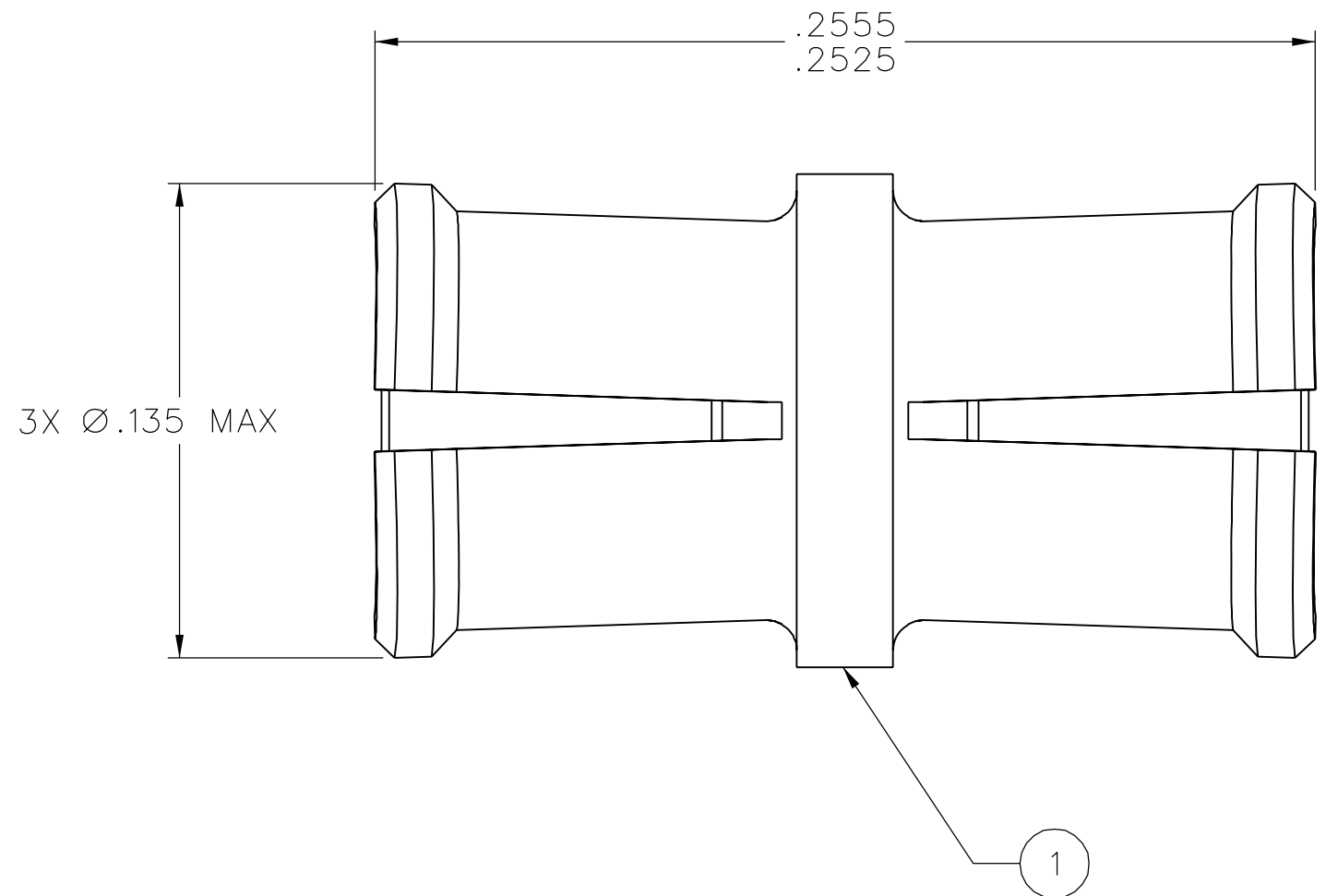


PART NUMBER	ITEM ① BODY	ITEM ② CONTACT	ITEM ③ INSULATOR
127-0901-801	BERYLLIUM COPPER GOLD PL .00005 MIN OVER NICKEL PL .00005 MIN OVER COPPER PL .00005 MIN	BERYLLIUM COPPER GOLD PL .00005 MIN OVER NICKEL PL .00005 MIN OVER COPPER PL .00005 MIN	TEFLON

DRAWING NO. C - 127-0901-801/810	
0	REVISIONS
ENGINEERING RELEASE	
1	5-25-07 PAT JKU PDW JCN 5-29-07 ECN 51022



10:1



NOTES:


- SPECIFICATIONS:
  - IMPEDENCE: 50 OHMS NOMINAL
  - FREQUENCY RANGE: 0-40 GHz
  - VSWR: 1.10 MAX (0-18 GHz)
  - 1.15 MAX (18-23 GHz)
  - 1.30 MAX (23-26.5 GHz)
  - 1.70 MAX (26.5-40 GHz)
  - WORKING VOLTAGE: 335 VRMS MAX AT SEA LEVEL
  - DIELECTRIC WITHSTANDING VOLTAGE: 500 VRMS MIN AT SEA LEVEL
  - INSULATION RESISTANCE: 5000 MEGOHM MIN
  - CONTACT RESISTANCE:
    - CENTER CONTACT - INITIAL 6.0 MILLIOHM MAX, AFTER ENVIRONMENTAL NOT APPLICABLE
    - OUTER CONDUCTOR - INITIAL 2.0 MILLIOHM MAX, AFTER ENVIRONMENTAL NOT APPLICABLE
  - INSERTION LOSS:  $0.10\sqrt{f}$  (GHz) dB MAX, TESTED AT 10 GHz
  - CORONA LEVEL: 190 VOLTS MIN AT 70,000 FEET
  - RF LEAKAGE: -65 dB TYPICAL, TESTED AT 2.5 GHz
  - RF HIGH POTENTIAL WITHSTANDING VOLTAGE: 325 VRMS MIN AT 4 AND 7 MHz
- MECHANICAL:
  - INTERFACE DESIGN: IN ACCORDANCE WITH MIL-STD-348A, SERIES SMP
  - ENGAGEMENT FORCE: 15.0 LBS MAX (FULL DETENT)
  - 10.0 LBS MAX (LIMITED DETENT)
  - 2.0 LBS MAX (SMOOTH BORE)
  - DISENGAGEMENT FORCE: 5.0 LBS MIN (FULL DETENT)
  - 2.0 LBS MIN (LIMITED DETENT)
  - 0.5 LBS MIN (SMOOTH BORE)
  - CONTACT RETENTION: 1.5 LBS MIN AXIAL FORCE
  - DURABILITY: 100 CYCLES MIN (FULL DETENT)
  - 500 CYCLES MIN (LIMITED DETENT)
  - 1000 CYCLES MIN (SMOOTH BORE)
- ENVIRONMENTAL:
  - (MEETS OR EXCEEDS THE APPLICABLE PARAGRAPH OF DSCC DWG NO. 94007)
  - OPERATING TEMPERATURE: -65°C TO 165°C
  - THERMAL SHOCK: MIL-STD-202, METHOD 107, CONDITION B, EXCEPT 165°C HIGH TEMP
  - MECHANICAL SHOCK: MIL-STD-202, METHOD 213, CONDITION I
  - CORROSION: MIL-STD-202, METHOD 101, CONDITION B
  - VIBRATION: MIL-STD-202, METHOD 204, CONDITION D
  - MOISTURE RESISTANCE: MIL-STD-202, METHOD 106, EXCEPT STEP 7B OMITTED

CUSTOMER DRAWING

THIS DRAWING TO BE INTERPRETED PER ASME Y 14.5M - 1994

"μSTATION"

COMPANY CONFIDENTIAL

TOLERANCE UNLESS OTHERWISE SPECIFIED		DRAWN BY PAT	DATE 3-29-07	 <b>Cinch</b> CONNECTIVITY SOLUTIONS a bel group	Cinch Connectivity Solutions P.O. Box 1732 Waseca, MN 56093 1-800-247-8256	
DECIMALS	mm	CHECKED BY JRK	DATE 5-25-07		TITLE SMP FEMALE/FEMALE BULLET ADAPTER	
.XX	_____	APPROVED BY PDW	DATE 5-25-07	SHEET 2 OF 2		
.XXX	REF _____	RELEASE DATE	5-29-07	DRAWING NO. C - 127-0901-801/810		
MATL	_____	U/M	INCH	SCALE	20:1	
FINISH	_____					