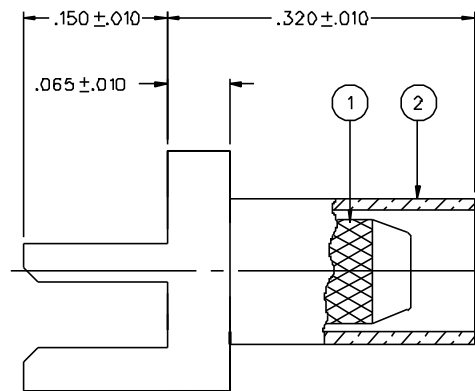
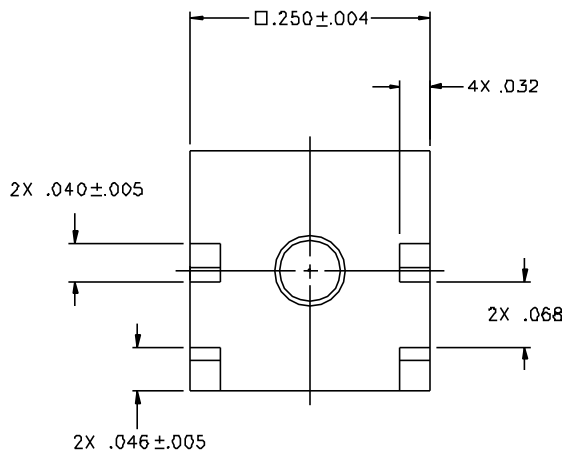
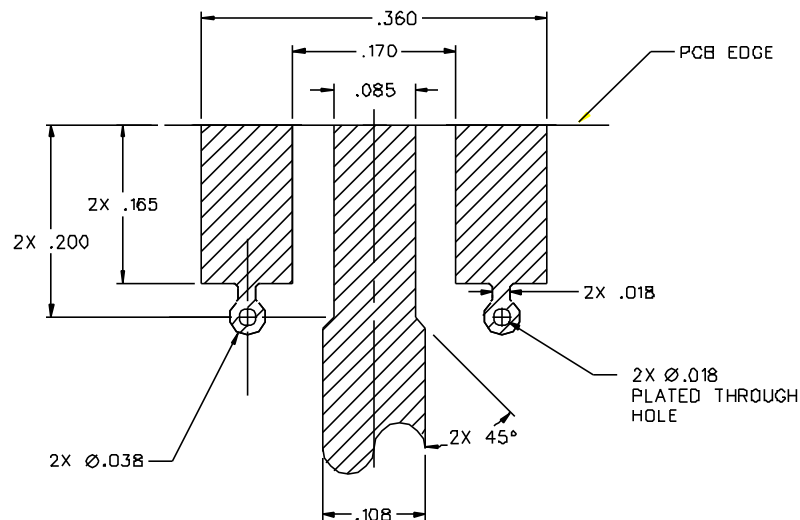


PART NUMBER	ITEM ① BODY	ITEM ② CRIMP SLEEVE
142-0003-801	BRASS GOLD PL .00001 MIN OVER NICKEL PL .00005 MIN OVER COPPER PL .00005 MIN	COPPER GOLD PL .00001 MIN OVER NICKEL PL .00005 MIN OVER COPPER PL .00005 MIN
142-0003-806	BRASS NICKEL PL .0001 MIN OVER COPPER PL .00005 MIN	COPPER NICKEL PL .0001 MIN OVER COPPER PL .00005 MIN

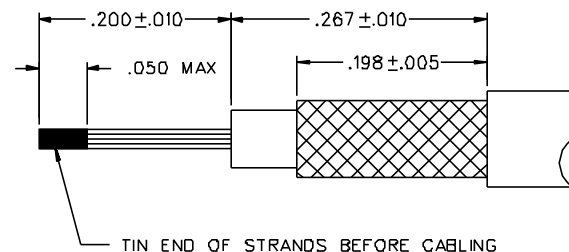
DRAWING NO. C - 142-0003-801/810	
0	REVISIONS
ENGINEERING RELEASE	
1	8-25-98 R H K T R ECN 45822



DIMENSIONS ARE SYMMETRICAL ABOUT THE CENTERLINE



TRACE WIDTH DIMENSIONS



CABLE STRIP DIMENSIONS

CUSTOMER DRAWING

THIS DRAWING TO BE INTERPRETED PER ANSI Y 14.5M - 1982


"µSTATION"

COMPANY CONFIDENTIAL

NOTES:

1. SPECIFICATIONS:

CABLE ACCEPTABILITY: RG 188/U, RG 316/U, RG 161/U
 RG 174/U, RG 179/U, RG 187/U
 CABLE HEX CRIMP SIZE: .128
 CABLE RETENTION: 20 LBS
 IMPEDANCE: 50 OHMS

TOLERANCE UNLESS OTHERWISE SPECIFIED	DRAWN BY KAS	DATE 5/19/98	 Cinch Connectivity Solutions 299 Johnson Ave. Ste. 100 Wadena, MN 56693 1-800-247-8256
DECIMALS .XX	CHECKED BY KAS	DATE 8-27-98	
.XXX	APPROVED BY TAK	DATE 9-9-98	TITLE CABLE TERMINATION, .06B END LAUNCH, RG 316
MATL	APPROVED BY RJB	DATE 9-11-98	CODE NO.
FINISH	RELEASE DATE		DRAWING NO. C - 142-0003-801/810
SCALE 10:1			U/M INCH SHEET 2 OF 2