

THIS DRAWING IS UNPUBLISHED.

RELEASED FOR PUBLICATION

LOC

DIST

REVISIONS

© COPYRIGHT BY TYCO ELECTRONICS CORPORATION. ALL RIGHTS RESERVED.

ALL RIGHTS RESERVED.

GZ 00

P LTR

DESCRIPTION

DATE

DWN

APVD

B

0611-0162-03

16MAY2003

TCS

KH

ALL LEADS 18AWG-UNLESS OTHERWISE SPECIFIED

- NOTES
1. DIMENSIONS FOR REFERENCE ONLY.
 2. ALL LEADS +1"/-0" TOL.
 3. STRIP TOL. ±1/32
 4. WINDING PROTECTION-INHERENTLY LIMITING

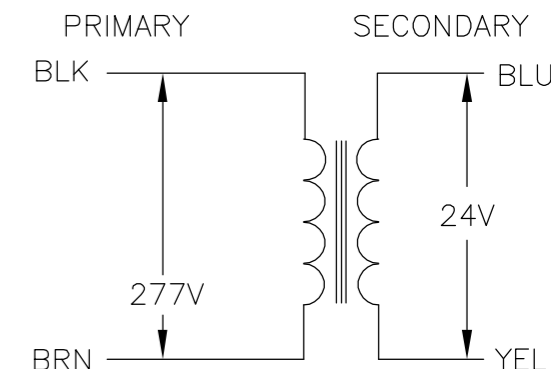
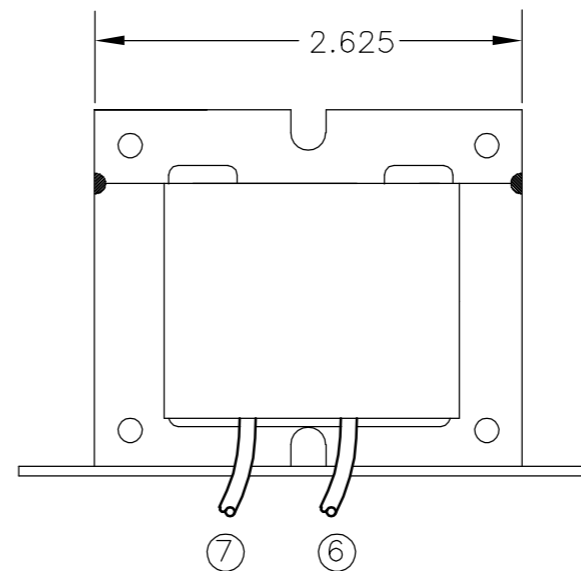
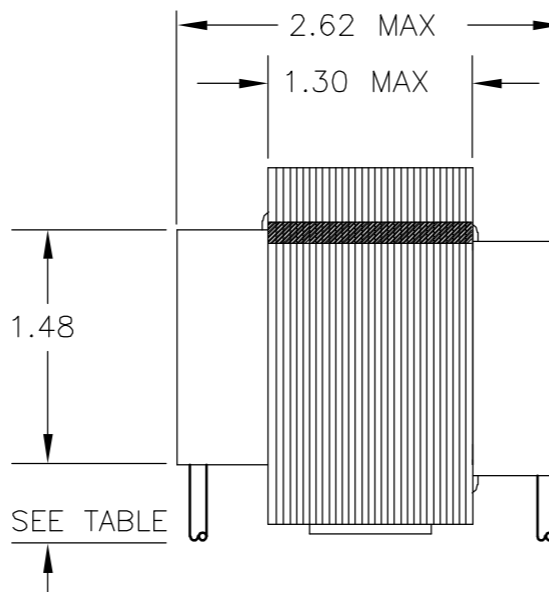
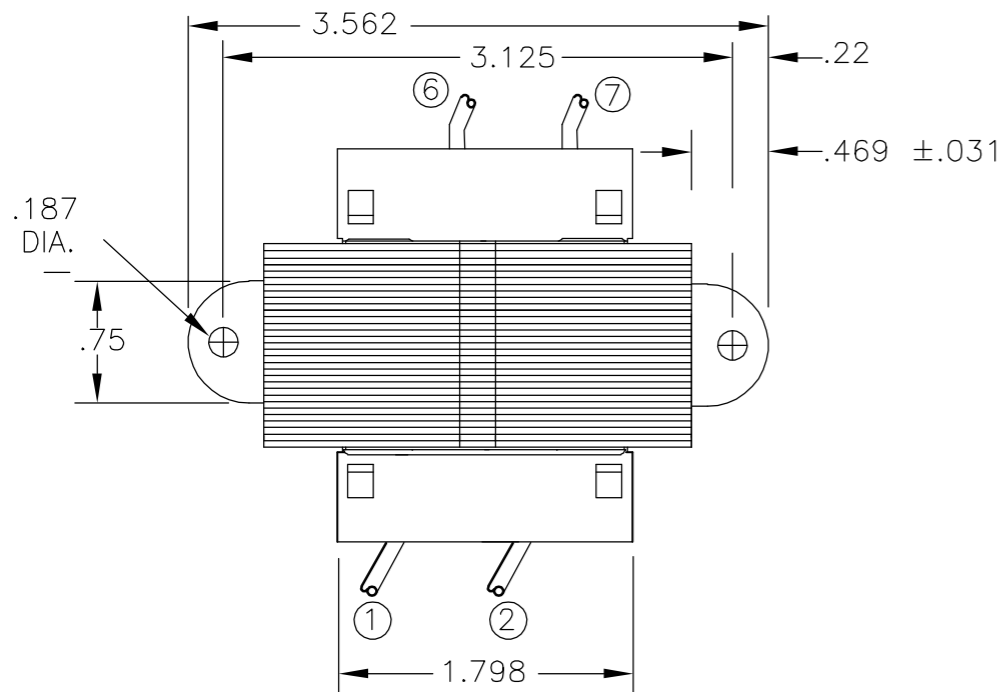
CERTIFICATION:
UL, CUL FILE NO. E87824

PRIMARY

LEAD NO.	1	2
VOLTAGE	COM	277
COLOR	BLK	BRN
LENGTH	12.0	12.0
STRIP LENGTH	.50	.50

SECONDARY

LEAD NO.	6	7	8	9
VOLTAGE	24	VAC		
COLOR	BLU	YEL		
LENGTH	12.0	12.0		
STRIP LENGTH	.50	.50		



SCHEMATIC

4000-03AW18K999
 PRI COM 277 SEC 24 VAC
 BLK BRN BLU YEL
 50 VA 60HZ CLASS 2
 PRODUCTS UNLIMITED
 tyco Electronics

TYCO PART NUMBER
3-1611461-3

THIS DRAWING IS A CONTROLLED DOCUMENT.

DWN	K.H.	16OCT1996
CHK	-	-
APVD	-	-
PRODUCT SPEC	-	-
APPLICATION SPEC	-	-
WEIGHT	-	-

Products Tyco Electronics Corporation
Harrisburg, PA 17105-3608

NAME: TRANSFORMER OUTLINE

SIZE	CAGE CODE	DRAWING NO	RESTRICTED TO
A3	00779	C=4000-03AW18K999	-

CUSTOMER DRAWING SCALE: NONE SHEET 1 OF 1 REV B