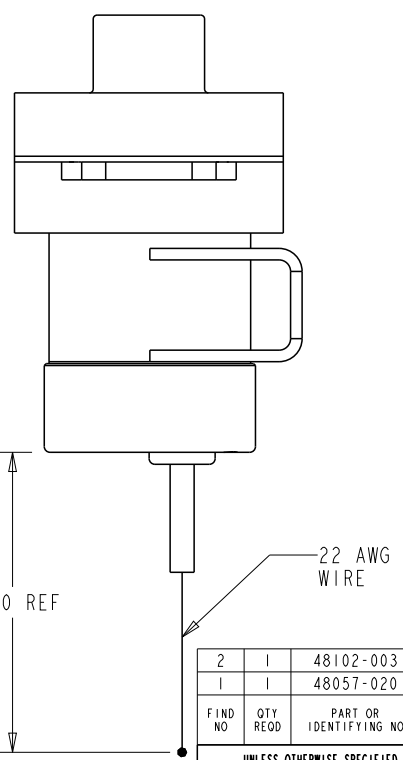
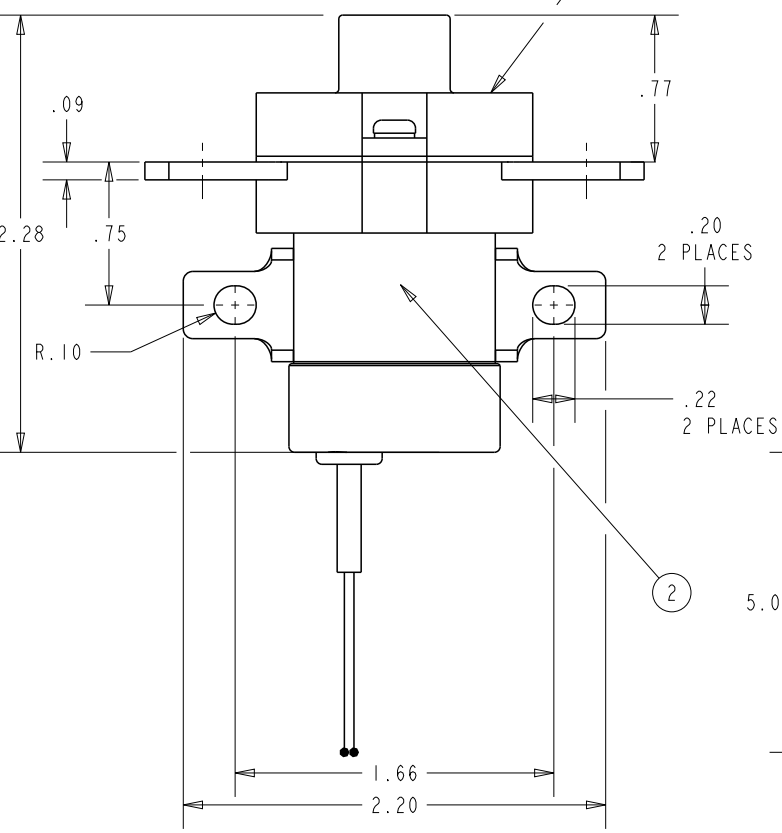
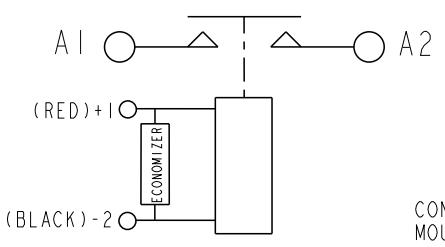
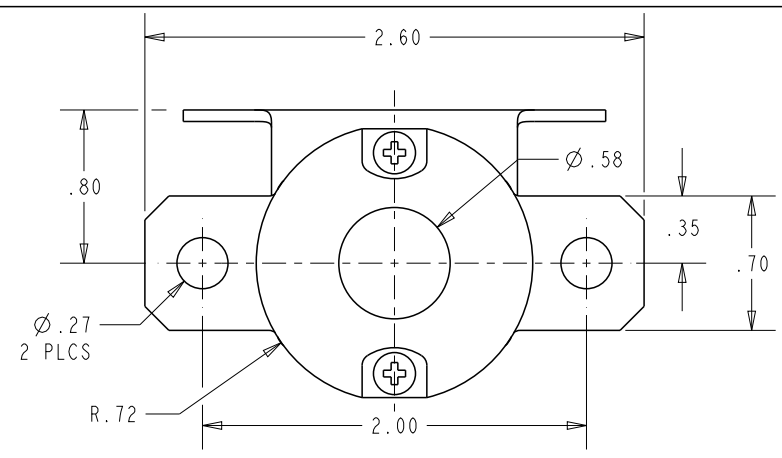


REVISIONS		RELEASED	APPROVED
REV.	DESCRIPTION	DATE	
A	RELEASED TO PRODUCTION	11-03-04	CB
B	11-012711 UPDATED VIEW OF WIRING HARNESS	11-06-06	CB
C	11-020414 WEIGHT WAS .31 LBS MAX	11-09-08	CB



CONSTRUCTION MOUNTING STYLE: GASKET SEALED CHASSIS MOUNT

MAIN CONTACTS CONFIGURATION: SPST N.O. DOUBLE MAKE

VOLTAGE: 28 VDC

CURRENT: 200 AMPS, 1200 AMPS, 2000 AMPS

RESISTIVE MOTORLOAD RUPTURE

COIL DATA: DUTY CYCLE: CONTINUOUS (ECONOMIZED)

NOM. OPERATE VOLTAGE: 28 VDC

PICKUP VOLTAGE: 18 VDC MAX

DROP VOLTAGE: 1-9 VDC

PICKUP TIME: 15 mS

DROPOUT TIME: 15 mS

COIL CURRENT: 5 AMPS MAX AT 28 VDC & 25°C

INRUSH HOLDING SUPPRESSION: 300 mA MAX AT 28 VDC & 25°C

±45 VDC

ENVIRONMENTAL DATA: TEMPERATURE: -55°C TO +85°C

ALTITUDE: 50,000 FEET

LIFE ELECTRICAL: 50,000 CYCLES MIN.

LIFE MECHANICAL: 100,000 CYCLES MIN.

WEIGHT: .33 LBS MAX

2	1	48102-003	NAME PLATE			8-1616974-4	
1	1	48057-020	PRIMARY ASSEMBLY - K200A1C			2-1616971-0	
FIND NO	QTY RECD	PART OR IDENTIFYING NO	NOMENCLATURE OR DESCRIPTION	DRAWING OR SPECIFICATION	FSCM NO	TE PART NO	MATERIAL OR NOTE

UNLESS OTHERWISE SPECIFIED DIMENSIONS ARE IN INCHES TOLERANCES ON

2 PL DEC.	.13 PL DEC.	ANGLES
±.06	±.010	± 1°

DR BY: KL 08-02-04
 CHK BY: CB 11-03-10
 ENGR: RSS 11-03-10
 MFG: BH 11-03-10

SIZE: A CODE IDENT: 74063

SCALE 1:1 SHEET 1 OF 1

STC
 Harman Division 175 N. DIAMOND STREET MANSFIELD, OHIO 44902

CONTACTOR-SPST NO DB
 200 AMP, 28 VDC

DWG NO. K200A1C

REF TE PN 5-1616970-9