



Wakefield-Vette introduces the Omni series forged pin-fin heat sink (Pat. Pending). This series heat sinks offer all-in-one solution, compact design with universal cam clip system for TO-220, TO-247, TO-264 and others package compatible devices. This powerful heat sink can be thru-hole soldered onto PCBs. The pin fins make the minimum flow impedance. It is the ideal type of heat sink for high power and small size (1U or 2U) electronic packaging with natural and forced convection cooling

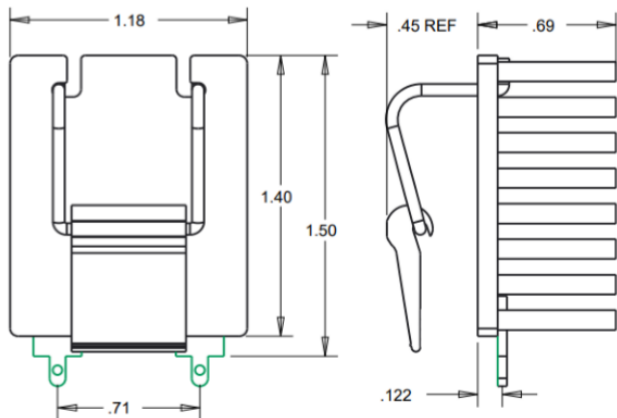
WkV Part Number	Description	Length (mm)	Width (mm)	Height (mm)	Thermal Resistance Natrual Convection	Material	Material Finish
OMNI-UNI-PF-38	omniKlip- Pin Fin Heatsink for TOs, 38.1mm tall, with clip, black anodized	30	27	17.52	8.07	Aluminum	Black Anodized

Material:

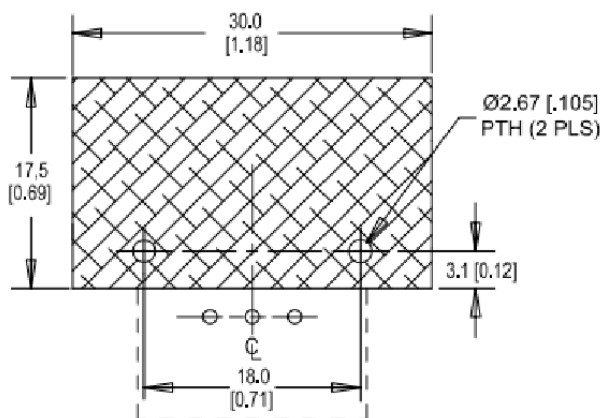
HEAT SINK: AL1070

SPRING CLIP: Music Wire, Per ASTM A228 with bright nickel plating

SOLDER FEET: Brass with pure tin or nickel. RoHS compliant



UNIT: INCH



Thermal Performance

