

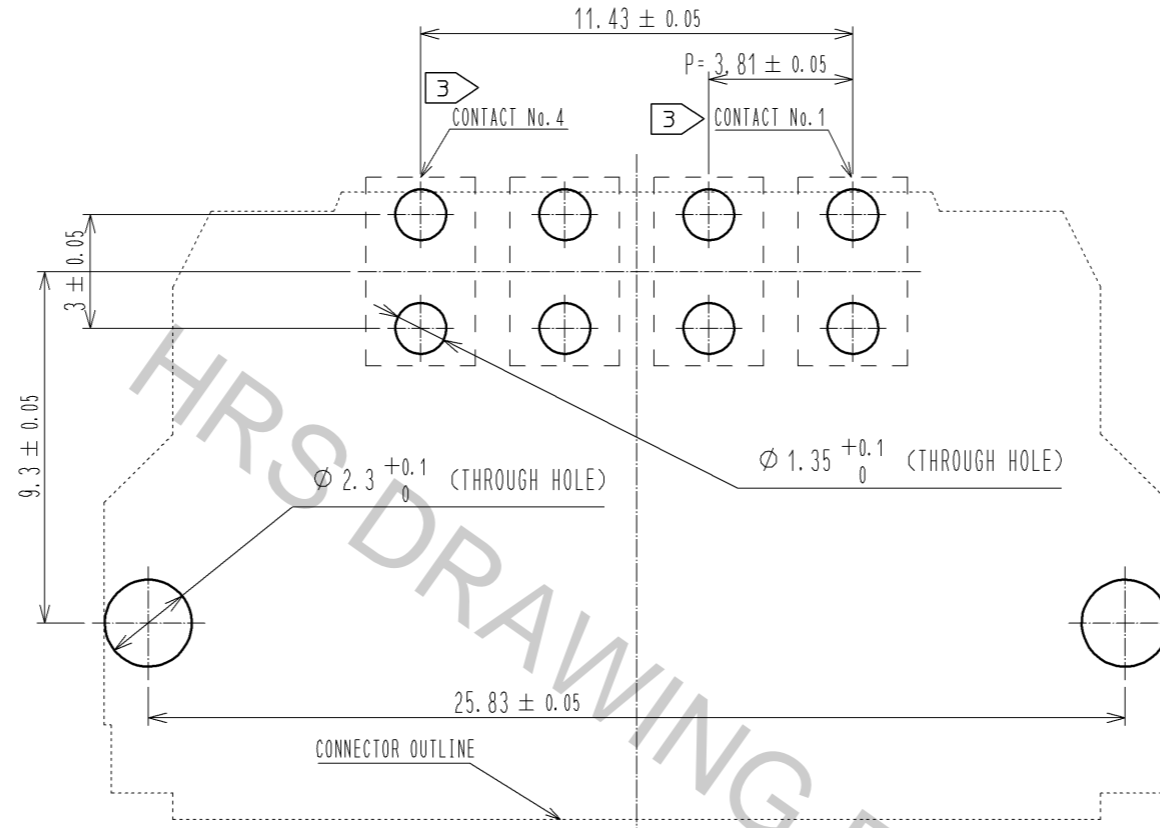
- NOTE
- 1 THIS PRODUCT IS PACKAGED IN TRAY. (30pcs/TRAY)
 - 2 BLEMISH AND HIT MARK CAN BE OCCURED THROUGH OUT THE MANUFACTURING PROCESS WHICH DOESN'T AFFECT QUALITY LEVEL. ALSO, BLACK SPOT COULD BE OBSERVED ON THE SURFACE OF HOUSING.
 - 3 FOR THE CONTACT NO., ADJACENT TWO PAIRS OF LEADS PLACED BACK-TO-BACK (4 LEADS IN TOTAL) COMPOSE ONE LINE.
 - 4 MISALIGNMENT ABSORBING RANGE: $\pm 0.3 \text{ mm max.}$
 - 5 THE DIMENSION IN PARENTHESES ARE FOR REFERENCES.
 - 6 LOT NO. IS INDICATED AT EITHER ONE OF THE POSITION AS SHOWN.
 - 7 POSSIBLE SHORT SHOT AND/OR BURR AT THE INDICATED AREA DOES NOT AFFECT THE PRODUCT QUALITY.

| NO. | MATERIAL | FINISH | REMARKS | NO. | MATERIAL | FINISH | REMARKS |
|-----|--------------|---|---------|-----|-----------------|---|---------|
| 2 | COPPER ALLOY | CONTACT AREA:GOLD-PLATING $0.1 \mu\text{m}$ | | 5 | POLYSTYRENE | | |
| | | LEAD AREA:TIN-PLATING $1.0 \mu\text{m}$ | | 4 | PHOSPHOR BRONZE | TIN-PLATING $3.0 \mu\text{m}$ | |
| | | UNDER PLATING:NICKEL $1.0 \mu\text{m}$ | | | | UNDER PLATING:NICKEL $1.0 \mu\text{m}$ | |
| 1 | POLYAMIDE | BLACK UL94V-0 | | 3 | COPPER ALLOY | CONTACT AREA:GOLD-PLATING $0.1 \mu\text{m}$ | |
| | | | | | | LEAD AREA:TIN-PLATING $1.0 \mu\text{m}$ | |
| | | | | | | UNDER PLATING:NICKEL $1.0 \mu\text{m}$ | |

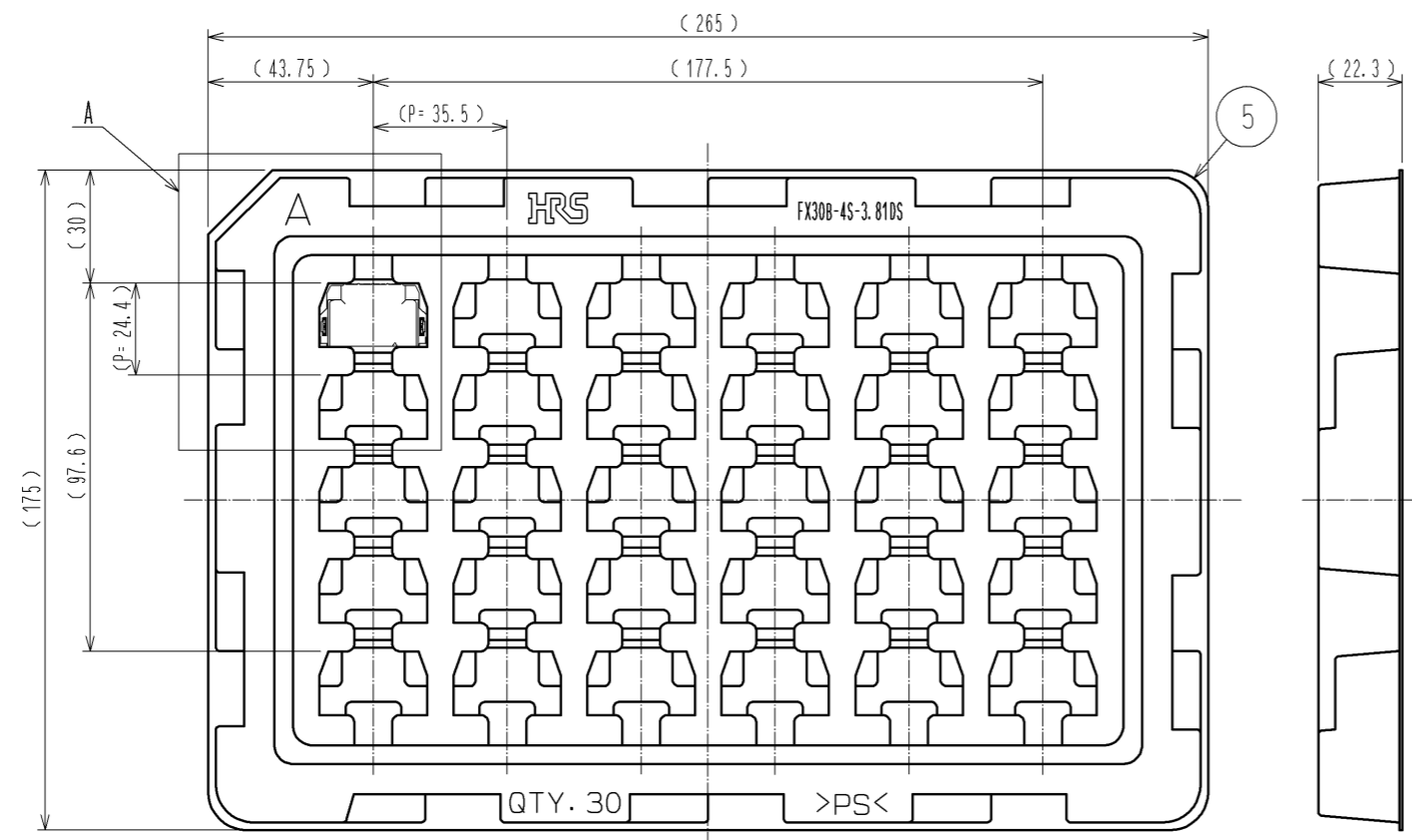
| UNITS | SCALE | COUNT | DESCRIPTION OF REVISIONS | DESIGNED | CHECKED | DATE |
|-------|-------|-------|--------------------------------|----------|---------|------|
| mm | 2 : 1 | △ | APPROVED : HS. OKAWA 13.03.13 | | | |
| | | | CHECED : KI. HIROKAWA 13.03.12 | | | |
| | | | DESIGNED : DK. AIMOTO 13.03.11 | | | |
| | | | DRAWN : DK. AIMOTO 13.03.11 | | | |

| DRAWING NO. | PART NO. | CODE NO. |
|----------------|-----------------|-----------------|
| EDC3-347278-00 | FX30B-4S-3.81DS | CL570-3602-1-00 |

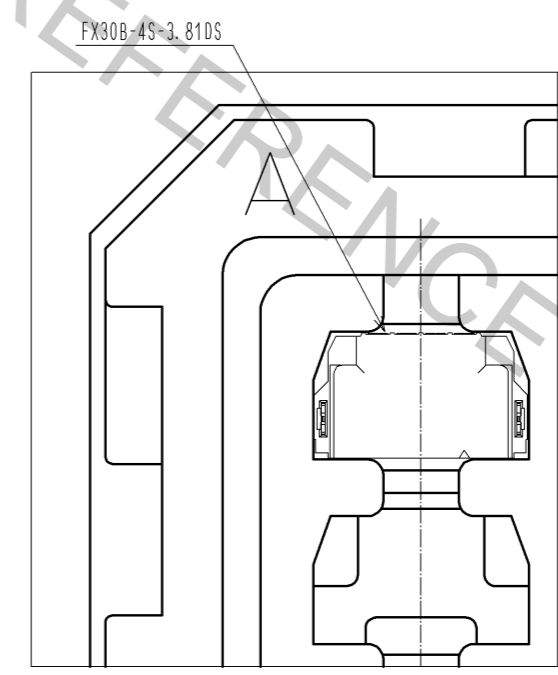
RECOMMENDED HOLE PATTERN DIMENSION OF PCB(5:1)
 (CONNECTOR MOUNTING SIDE, PCB THICKNESS:t=1.6mm)



1 DRAWING FOR PACKAGING(1:2)



A(1:1)



| | | | |
|------------|-------------|-----------------|-----|
| HRS | DRAWING NO. | EDC3-347278-00 | 2/2 |
| | PART NO. | FX30B-4S-3.81DS | |
| | CODE NO. | CL570-3602-1-00 | |
| | | | |