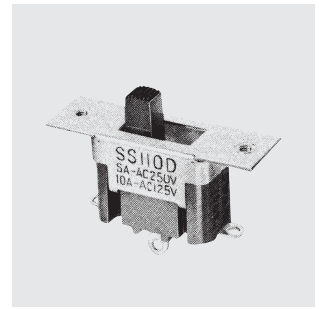


SS

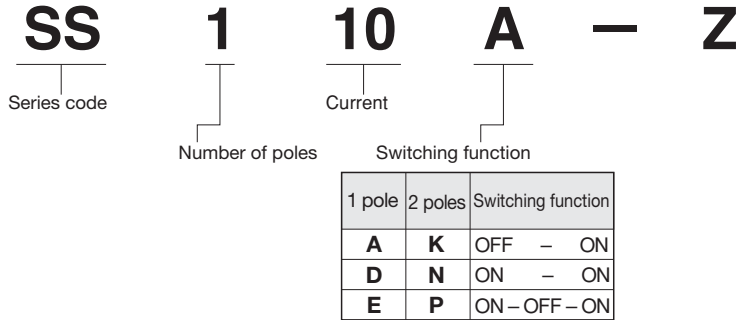


RoHS Compliant

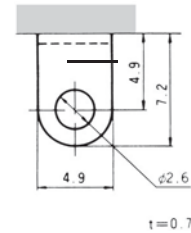
Miniature Slide Switches



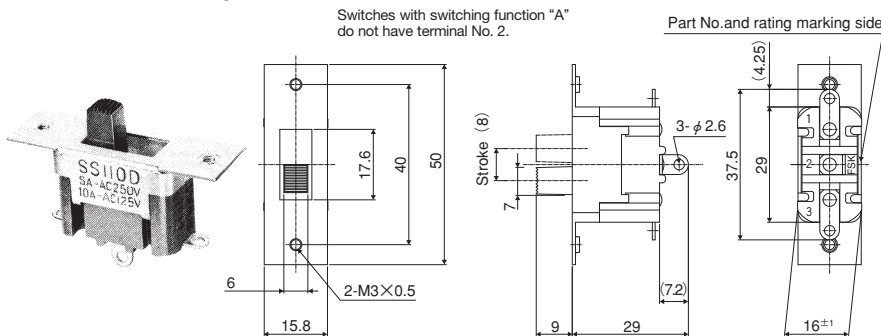
Part Numbering



Terminal style

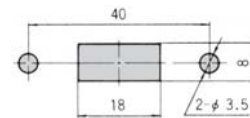


SS110-Z 1-pole



Switching function	Viewed from part No. marking side		
	Part No.		
★SS110A-Z	OFF	—	OFF
Connecting terminals	—	—	1-3
★SS110D-Z	ON	—	ON
▲SS110E-Z	ON	OFF	ON
Connecting terminals	2-1	—	2-3

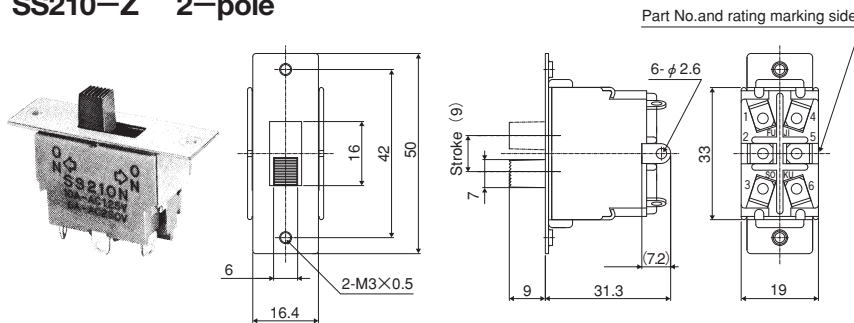
Panel Cut-Out Dimension



Specifications

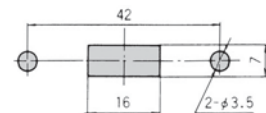
Rating	Initial contact resistance	Dielectric strength	Insulation resistance	Electrical life
SS110A~E AC125V 10A AC250V 6A	20mΩ Max. (DC2~4V 1A)	AC1500V 1 minute	100MΩ Min. (DC500V)	10,000 cycles

SS210-Z 2-pole



Switching function	Viewed from part No. marking side		
	Part No.		
★SS210K-Z	OFF	—	ON
Connecting terminals	—	—	1-3 4-6
☆SS210N-Z	ON	—	ON
★SS210P-Z	ON	OFF	ON
Connecting terminals	2-1 5-4	—	2-3 5-6

Panel Cut-Out Dimension



Specifications

Rating	Initial contact resistance	Dielectric strength	Insulation resistance	Electrical life
SS210K~P AC125V 10A AC250V 6A	20mΩ Max. (DC2~4V 1A)	AC1500V 1 minute	100MΩ Min. (DC500V)	10,000 cycles