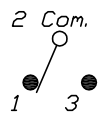


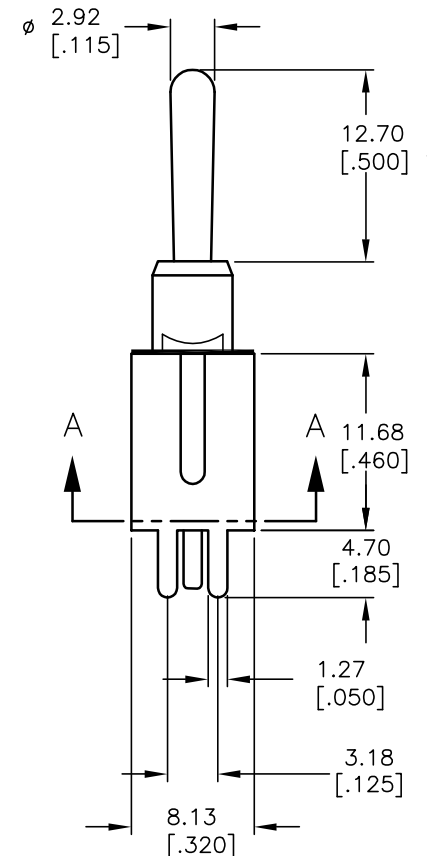
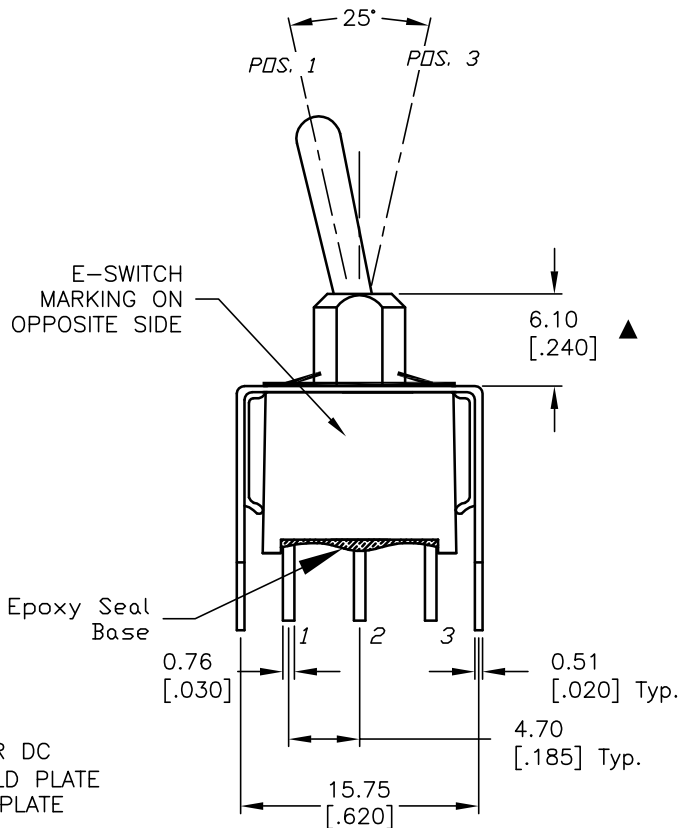
RECOMMENDED P.C.B. LAYOUT

SCALE: 2X



SPDT CIRCUIT CONTACT CONFIGURATION

SWITCH FUNCTION		
POS. 1	POS. 2	POS. 3
<ON>	OFF	<ON>
2-3	OPEN	2-1



NOTES:

1. ALL DIMENSIONS IN MM
2. GENERAL TOLERANCE: X.X=±0.4
X.XX=±0.25
3. TERMINAL NUMBERS FOR REF ONLY
4. RATING: 0.4 VOLT AMPS MAX. @ 20V MAX. AC OR DC
5. FIXED TERM. & MOVING CONTACT: COPPER W/GOLD PLATE OVER NICKLE PLATE
6. ELECTRIC LIFE: 50,000 make-and-break cycles at full load.
7. INSULATION RESISTANCE: 1,000 Mega-ohm min.
8. DIELECTRIC STRENGTH: 1,000 V RMS @sea level.
9. OPERATING TEMP.: -30°C to 85°C
10. ▲ DENOTES CRITICAL PARAMETER.

E-SWITCH®

TITLE				
100AWSP4T1B4VS2RE				
SCALE	DATE	DR	DWG	REV
2:1	8/26/03	AR	T104010	A

A	13402	RELEASED FOR PRODUCTION	8/26/03	AR
REV.	ECN No.	DESCRIPTION	DATE	CHKD
THE INFORMATION CONTAINED IN THIS DOCUMENT IS PROPRIETARY TO E-SWITCH AND IS NOT TO BE COPIED OR TRANSFERRED				