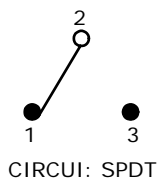
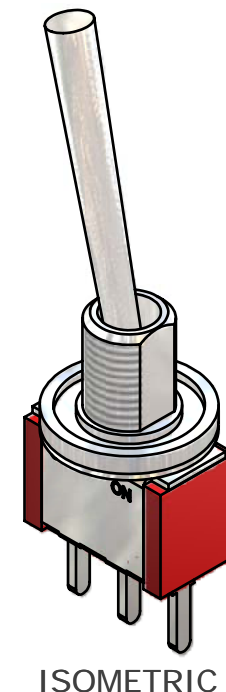
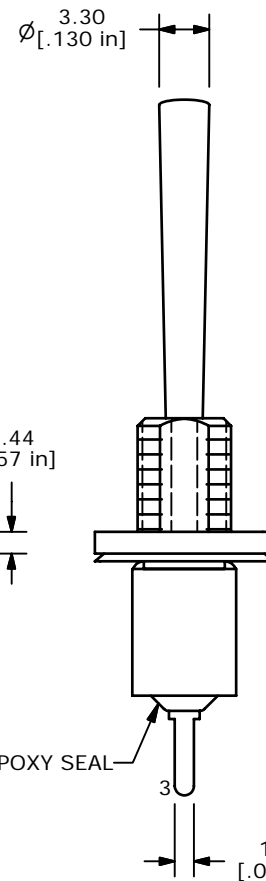
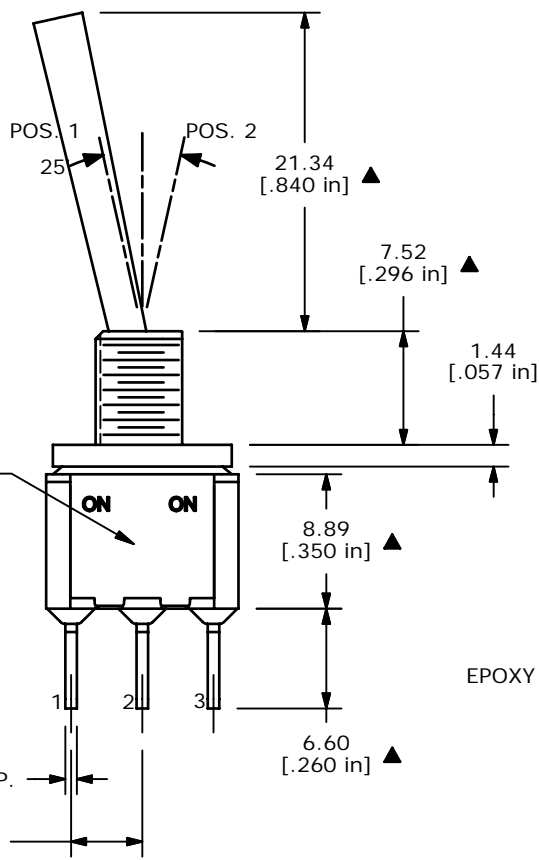
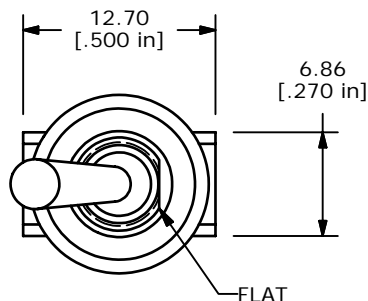


SWITCH FUNCTION		
POS. 1	POS. 2	POS. 3
ON	NONE	ON
2-3	OPEN	2-1



- NOTE:
- ALL DIMENSIONS IN MM [INCH]
 - GENERAL TOLERANCE: X.X = ±0.4
X.XX = ±0.25
 - TERMINAL NUMBERS FOR REF ONLY
 - ▲ MATERIAL: SILVER
 - RATING: 5 AMPS @ 120VAC OR 28VDC
2 AMPS @ 250VAC
 - ELECTRIC LIFE: 40,000 MAKE-AND-BREAK CYCLES.
 - INSULATION RESISTANCE: 1,000 MEGA OHM MIN.
 - DIELECTRIC STRENGTH: 1,000 V RMS @SEA LEVEL.
 - OPERATING TEMP.: -30°C to 85°C
 - ▲ DENOTES CRITICAL PARAMETER.
 - PACKAGE: TRAY/108 PIECES PER TRAY.
 - 2002/95/EC (ROHS) COMPLIANT
 - ▲13. HARDWARE TO BE SUPPLIED BULK:
T100011-LOCK WASHER QTY-1
T100002-LOCK RING QTY-1
T100000-HEX NUT QTY-2
T100016- "O" RING QTY-1



TITLE 100SP1T5B9M2QEH

A	17151	RELEASED FOR PRODUCTION	4/3/07	TN
REV	PCR NO	DESCRIPTION	DATE	BY

THE INFORMATION CONTAINED IN THIS DOCUMENT IS PROPRIETARY TO E-SWITCH AND IS NOT TO BE COPIED OR TRANSFERRED

SCALE	DATE	DR	DWG	REV
2:1	4/3/2007	TN	ST111047	A