

Bus system flat-type plug - SACC-DSI-FSD-4CON-L180 SCO - 1551503


Please be informed that the data shown in this PDF Document is generated from our Online Catalog. Please find the complete data in the user's documentation. Our General Terms of Use for Downloads are valid (<http://download.phoenixcontact.com>)



Bus system flush-type socket, ETHERNET, 4-pos., M12 SPEEDCON, D-coded, rear/screw mounting with PG9 thread, with straight solder connection



Key commercial data

Packing unit	0
Minimum order quantity	20
Catalog page	Page 46 (PC-2011)
GTIN	 4 046356 153638
Custom tariff number	85366990
Country of origin	GERMANY

Technical data

Mechanical characteristics

Standard - Electrical safety	M12 plug-in connector IEC 61076-2-101
Number of positions	4
Shielded	No
Connection method	Solder pins
Ambient temperature (operation)	-25 °C ... 85 °C (Male connector / female connector)

Material data

Inflammability class according to UL 94	V0
Contact carrier material	PA 66
Contact material	CuZn
Contact surface material	Au
Cable gland material	Zinc die-cast, nickel-plated
Sealing material	NBR
Degree of protection	IP67

Electrical characteristics

Number of positions	4
---------------------	---

Bus system flat-type plug - SACC-DSI-FSD-4CON-L180 SCO - 1551503

Technical data

Electrical characteristics

Nominal voltage UN	250 V
Nominal current IN	4 A
Surge voltage category	II
Pollution degree	3

Classifications

eclass

eCl@ss 4.0	27250313
eCl@ss 4.1	27250313
eCl@ss 5.0	27143423
eCl@ss 5.1	27143423
eCl@ss 6.0	27143423
eCl@ss 7.0	27449001

etim

ETIM 3.0	EC002061
ETIM 4.0	EC002061

unspsc

UNSPSC 6.01	31261501
UNSPSC 7.0901	31261501
UNSPSC 11	31261501
UNSPSC 12.01	31261501
UNSPSC 13.2	31261501

Approvals

Approvals

Approvals

UL Recognized

Ex Approvals

Approvals submitted

Approval details

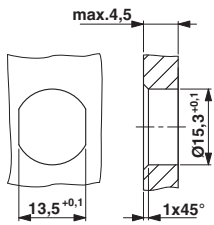
Bus system flat-type plug - SACC-DSI-FSD-4CON-L180 SCO - 1551503

Approvals

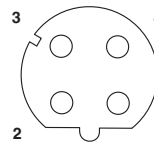
UL Recognized	
mm ² /AWG/kcmil	26-2
Nominal current I _N	4 A
Nominal voltage U _N	250 V

Drawings

Dimensioned drawing



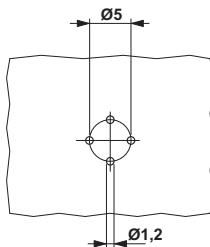
Schematic diagram



Pin assignment M12 female connector, 4-pos., D-coded, female side

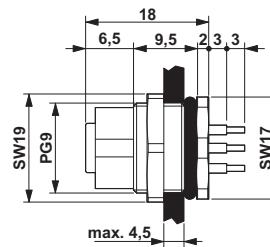
Mounting cutout with polarization for Pg9 thread

Drilling diagram



M12 flush-type connector

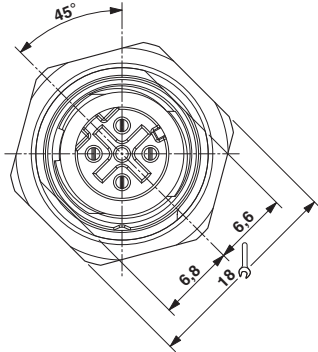
Dimensioned drawing



M12 flush-type connector

Bus system flat-type plug - SACC-DSI-FSD-4CON-L180 SCO - 1551503

Dimensioned drawing



M12 front view

© Phoenix Contact 2012 - all rights reserved
<http://www.phoenixcontact.com>