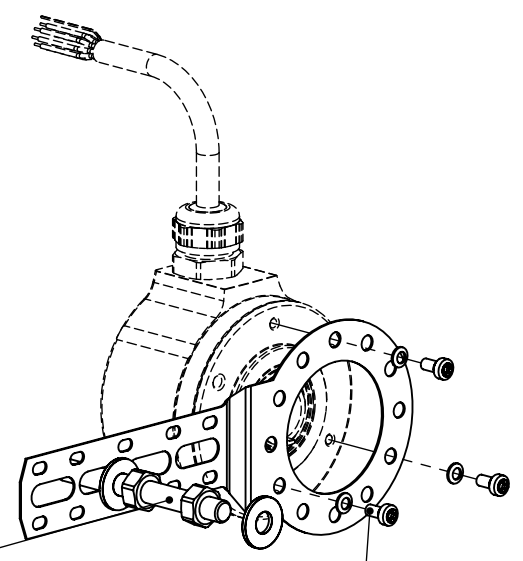
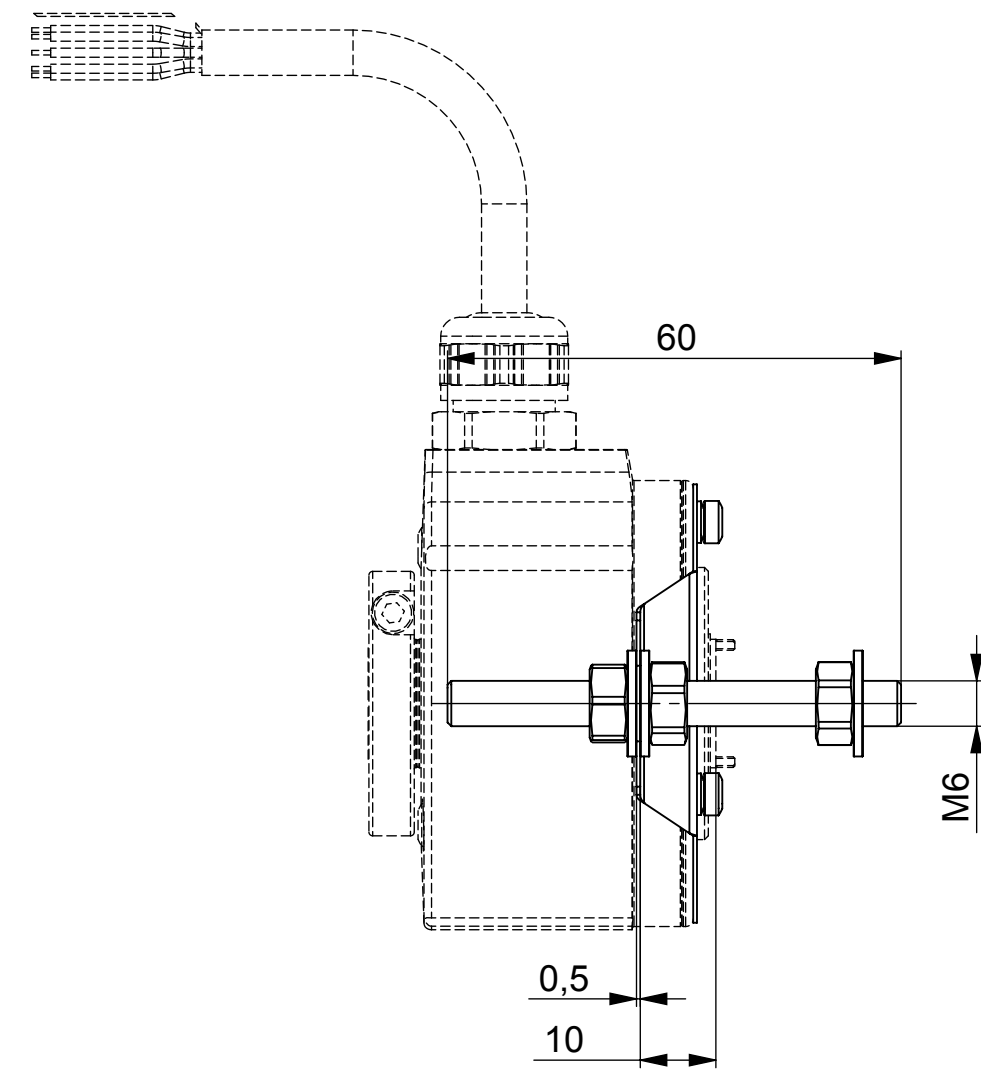
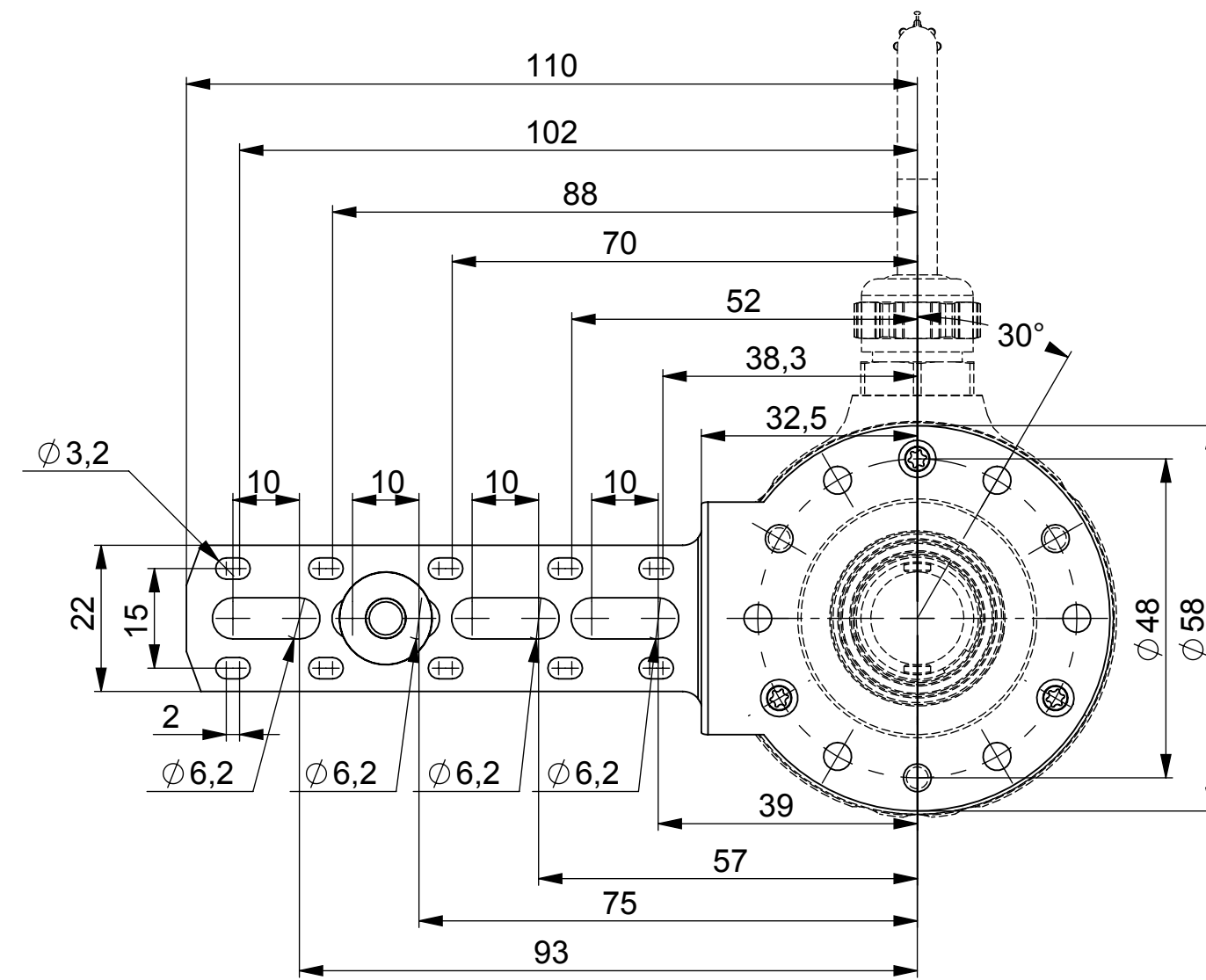


4

3

2

1



- M6 Nuts (3x)
- M6 Washers (3x)
- M6x60 Threaded rod (1x)
- M3 Hexalobular socket pan head screws with safety washers (3x)

Functional Safety Product -TÜV certified -
 Toute modification est soumise à l'approbation du FSM
 All modifications must be approved by the
 Functional Safety Manager (FSM)

Ordering reference: **M9445/047**

UNCONTROLLED COPY			
FIRST ISSUE DATE : 28/03/2018	SENSATA TECHNOLOGIES PROPRIETARY AND CONFIDENTIAL. NEITHER THIS PRINT NOR THE INFORMATION CONTAINED HEREON IS TO BE USED AGAINST THE INTERESTS OF SENSATA TECHNOLOGIES OR AGAINST THE INTERESTS OF ANY OF ITS AFFILIATED COMPANIES OR WHOLLY OWNED SUBSIDIARIES.	BEI SENSORS SAS Espace Européen de l'Entreprise 9, rue de Copenhague BP 70044 - F 67013 STRASBOURG Cedex Tel : +33 (0)3 88 20 81 40	
DRAWN : RHM		BEI Sensors	
APPROVED : JHH		TITLE	
DATE : 28/03/2018	UNLESS OTHERWISE SPECIFIED DIMENSIONS ARE IN MILLIMETERS (INCHES) AND ARE INTENDED AS NOMINAL. SEE PRODUCT SPECIFICATION FOR MORE DETAILS.	DSO5 Tether arm kit	
ECN : .		SIZE A3	DWG NO. M005
DATE :	DO NOT SCALE DRAWING	SCALE 1/1	SOLIDWORKS SHEET 1 OF 1
Housing material :	EUROPEAN SYSTEM		
Flange material :			
Tether material : Stainless Steel			

4

3

2

1

DEVICE: PROJECT: