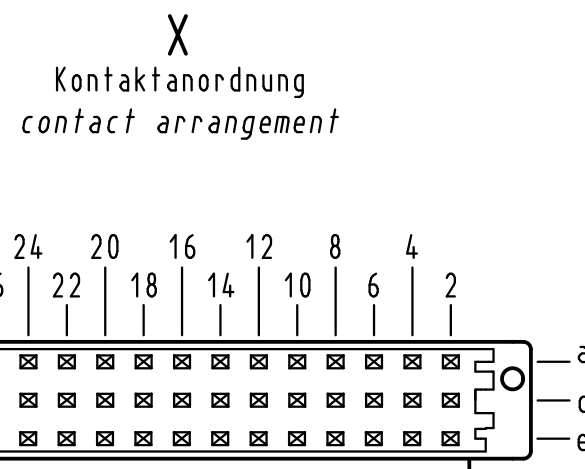
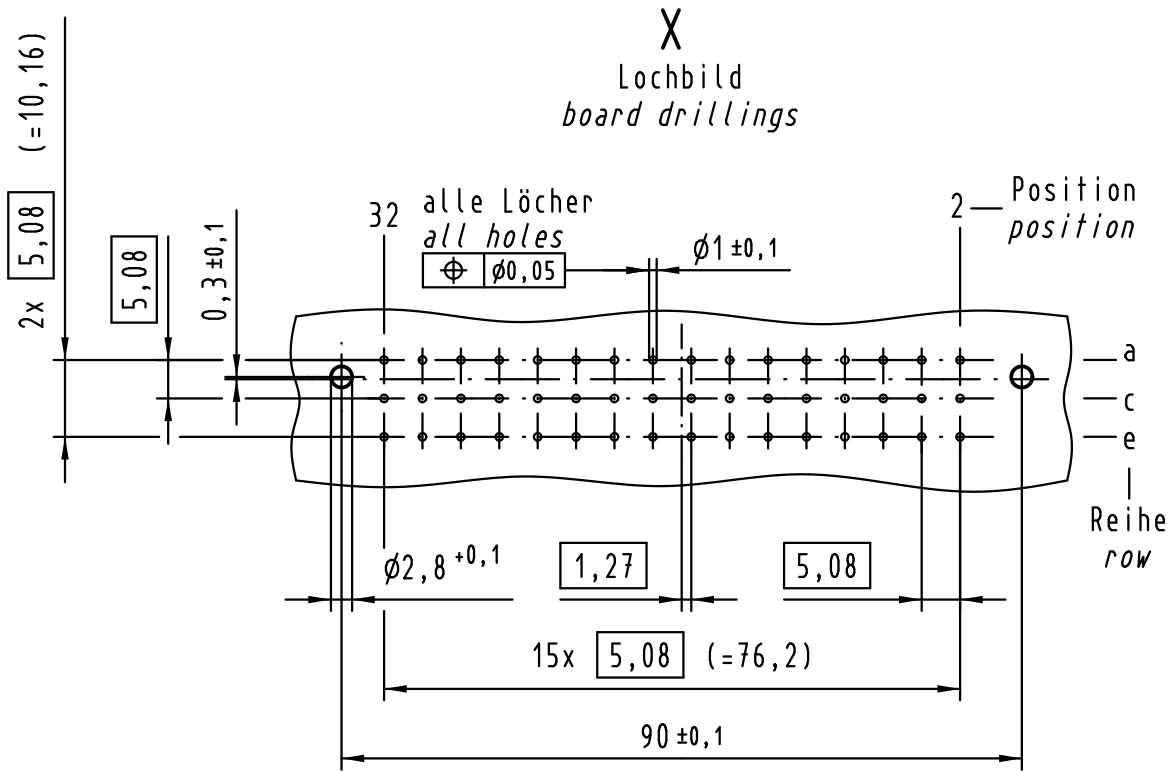
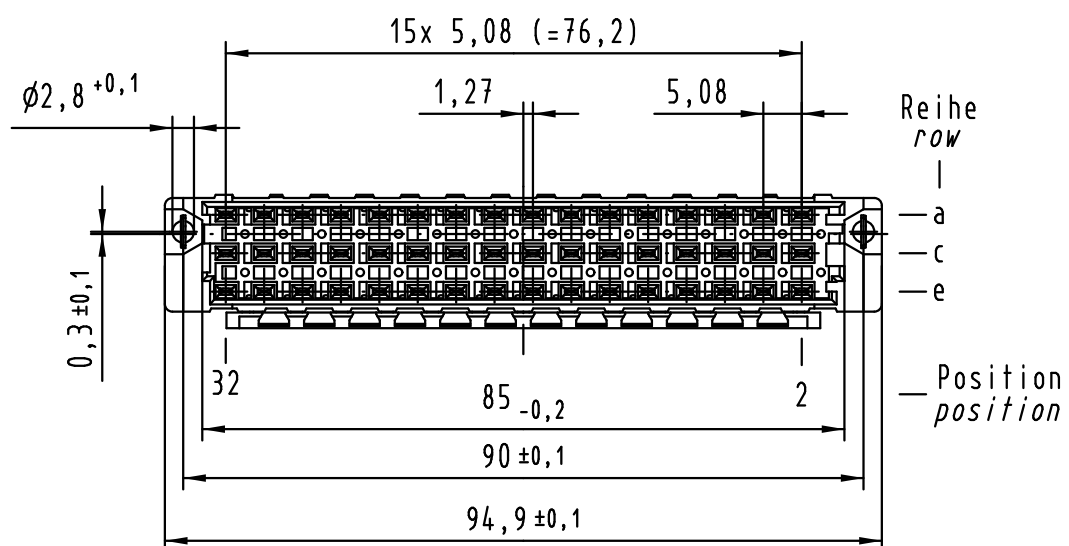
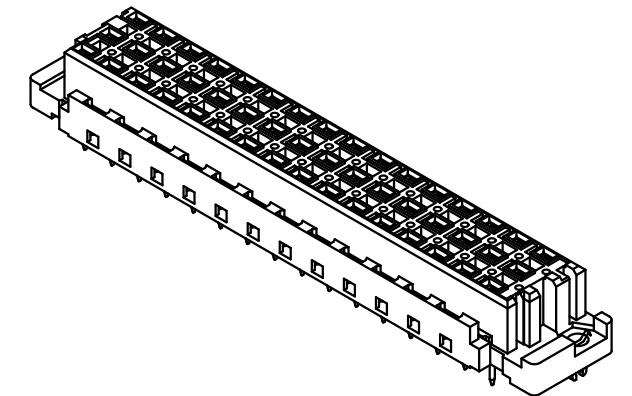
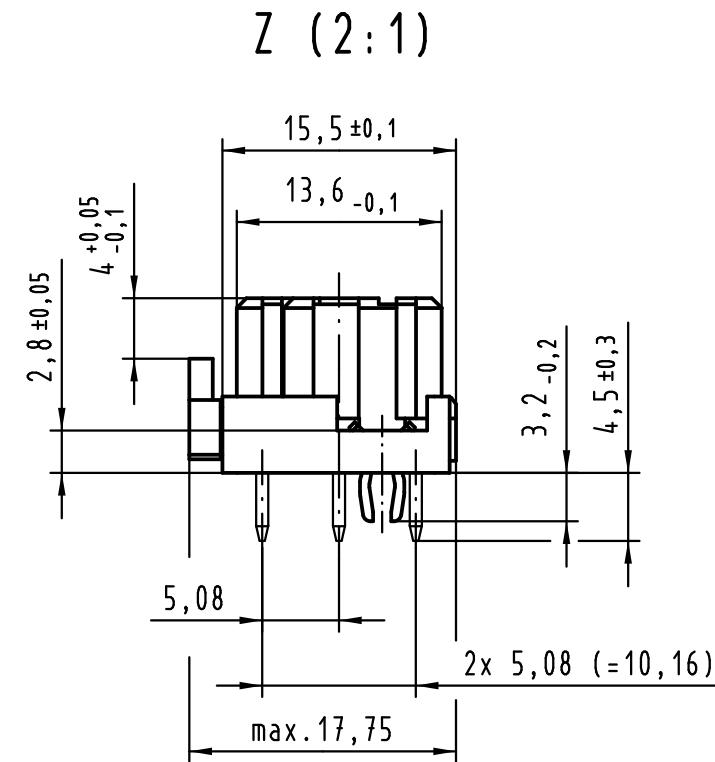
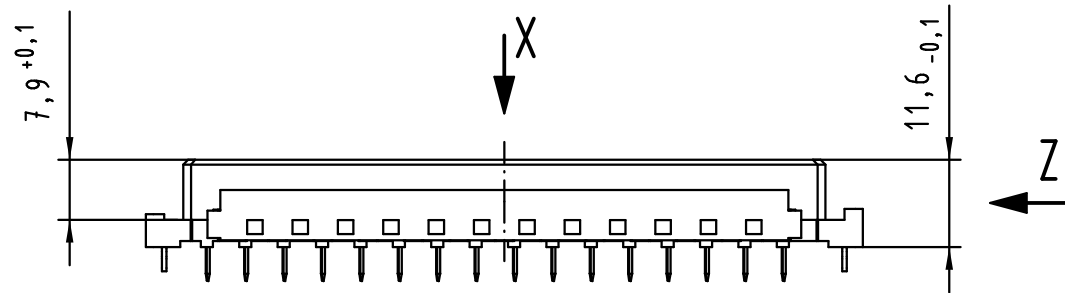


Alle Rechte vorbehalten/ All rights reserved



48 Einlötlöt Kontakte
48 solder contacts

☒ = Kontaktposition belegt
= position with contact
□ = Kontaktposition nicht belegt
= position without contact



① weitere Informationen siehe: DS 09 04 210 00 01
further information see: DS 09 04 210 00 01

| | |
|-------------------------|--|
| 09 05 848 6831 | 2 |
| Bestell-Nr. part-no. | Anforderungsstufe performance level ① |

| | | | | |
|---|----------|--|----------------|---------------|
| All Dimensions in mm Original Size DIN A 3 | | Techn. Character. | | |
| | | Dat. | Name | Maßstab/Scale |
| | | Detail. | 27.11.03 Hage. | 1:1 |
| | | Insp. | 27.11.03 kfoe. | |
| | | Stand. | | |
| 36466 | 14.12.11 | Hage. | | HARTING |
| 31633 | | HARTING Electronics GmbH & Co. KG D-32339 ESPELKAMP | | |
| Mod. | Dat. | Name | | Sub. |

| | |
|--|-------------|
| Nicht tolerierte Maß/Free size tolerances IEC 60603-2 | |
| Bauform / type D female connector solder 4.5 48-pole with clip and coding | |
| TB 09 05 848 x831 | Blatt/ page |