

4

3

2

1

THIS DRAWING IS UNPUBLISHED.

RELEASED FOR PUBLICATION

© COPYRIGHT

ALL RIGHTS RESERVED.

LOC DIST


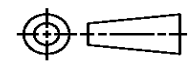
REVISIONS

P	LTR	DESCRIPTION	DATE	DWN	APVD

REPLACED BY OCEAN STYLE APPLICATOR PART NUMBER

FOR REPLACEMENT PARTS FOR APPLICATOR REFER TO ADDITIONAL PAGE(S). SPARE PARTS KIT (IF LISTED) WILL REMAIN AVAILABLE.

THE REPLACEMENT OCEAN STYLE APPLICATOR HAS THE SAME TERMINATOR/PRESS INTERFACE AS APPLICATOR

THIS DRAWING IS A CONTROLLED DOCUMENT.		DWN	 TE Connectivity		
DIMENSIONS:		CHK			
TOLERANCES UNLESS OTHERWISE SPECIFIED:		APVD	NAME		
 <ul style="list-style-type: none"> 0 PLC ± 1 PLC ± 2 PLC ± 3 PLC ± 4 PLC ± ANGLES ± 		PRODUCT SPEC	RESTRICTED TO		
		APPLICATION SPEC	SIZE	CAGE CODE	DRAWING NO
MATERIAL	FINISH	WEIGHT	A3	C-	
		SCALE	SHEET	OF	REV

THIS DRAWING IS UNPUBLISHED. RELEASED FOR PUBLICATION 20
 BY TYCO ELECTRONICS CORPORATION. ALL RIGHTS RESERVED.

FEED FINGER
1901694-1

SET UP GAGE
1901040-1

LOC
A

DIST
66

REVISIONS

PART NUMBER	REV	DESCRIPTION	PROGRAMMED MEMORY CHIP
1911011-1	B	CUTS CARRIER	8-1911011-1
1911011-6	B	CONTINUOUS CARRIER	8-1911011-6
7-1911011-1	B	-1 AND SPARE PARTS	9-1911011-1
7-1911011-6	B	-6 AND SPARE PARTS	9-1911011-6
7-1911011-7	B	SPARE PARTS KIT	-

APPLICATOR DATA

CRIMP	SIZE	TYPE
WIRE	2.03mm [.080]	F
INSUL	4.06mm [.160]	O

APPL INSTRUCTIONS
408-10135

TERMINAL DATA: TE TERMINAL TYCO ELECTRONICS CRIMP SPEC
 TERMINAL NAME: JUNIOR POWER TIMER CONTACT

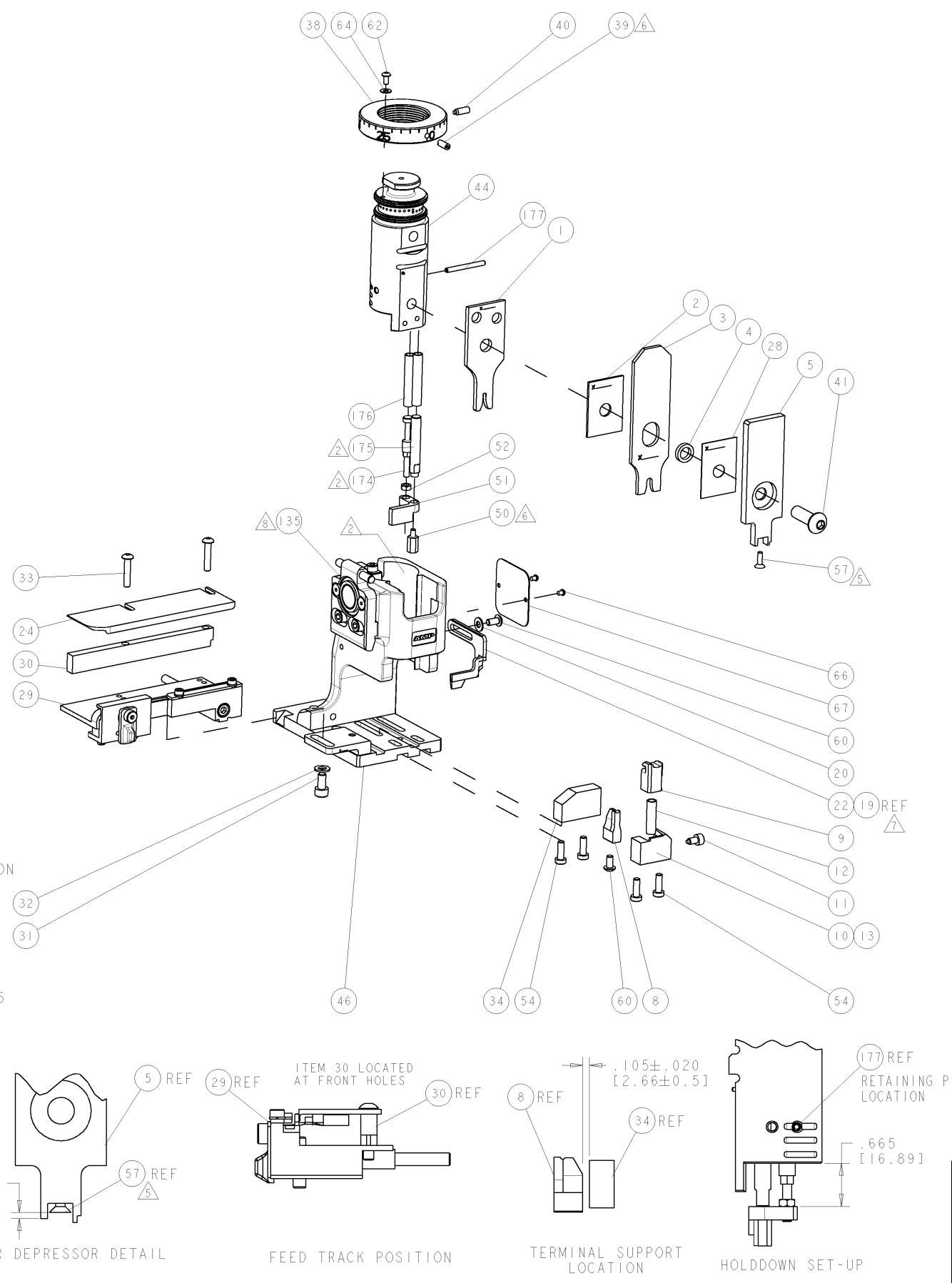
WIRE STRIP LENGTH 4.4-5.0mm [.173-.197] INSULATION DIAMETER RANGE 1.20-2.99mm [.047-.118]

TERMINAL APPL SPEC 114-18050

TERMINALS APPLIED

TE TERMINAL	TE TERMINAL	TE SEAL	TE SEAL
929939-3	927770-3	828904	828905
929939-1	927770-6	828904	828905
929939-6	927770-8	828904	828905
1-929939-1	1-927770-1	828904	828905
2-929939-1	2-927770-1	828904	828905
927770-1	929280-1	828904	828905

WIRE SIZE	CRIMP HEIGHT
mm	mm [INCH]
1mm ²	1.36±.05 [.054±.002]
0.85mm ²	1.32±.05 [.052±.002]
0.75mm ²	1.27±.05 [.050±.002]
0.5mm ²	1.18±.05 [.046±.002]



QTY	REV	DESCRIPTION	QTY		
-	1	1-993111-6	PIN, SLOTTED SPRING 3.0 X 30.0	177	
-	2	3-22280-7	SPRING, COMPRESSION	176	
-	1	1752353-1	GUIDE PIN, HOLDDOWN	175	
-	1	1901680-1	GUIDE PIN, HOLDDOWN	174	
-	REF	REF	SEE TABLE	MEMORY CHIP, PROGRAMMED	135
-	1	1633565-1	DOCUMENTATION PACKAGE	71	
-	1	1901048-1	TAG, IDENTIFICATION	67	
-	2	21017-1	SCREW, DRIVE	66	
-	1	18028-1	WASHER, FLAT, REG M3	64	
-	1	1655785-9	SCR, BTN SKT HD CAP (M3 X 6)	62	
-	2	21655785-1	SCR, BTN SKT HD CAP (M4 X 8)	60	
-	1	985575-3	SCR, FLT SKT HD CAP M3 X 10.0	57	
-	4	41655783-3	SCR, CAP, SOC HD, LOW HEAD, M4 X 12	54	
-	1	1-18030-0	NUT, HEX, REG M3.5	52	
-	1	1901681-1	HOLDDOWN, TERMINAL	51	
-	1	2-1752354-5	STANDOFF, HOLD-DOWN	50	
-	1	1752300-1	SF SYSTEM III APPLICATOR	46	
-	1	1752308-1	RAM	44	
-	1	2-1655785-3	SCR, BTN SKT HD CAP (M8 X 25)	41	
-	1	993002-4	SCREW, SET, SFT TIP	40	
-	1	1962043-1	PLUNGER, BALL, METRIC	39	
-	1	1752309-1	RING, INSULATION CRIMP	38	
-	1	1-1752356-3	SUPPORT, TERMINAL	34	
-	2	231655785-3	SCR, BTN SKT HD CAP (M4 X 20)	33	
-	1	18028-3	WASHER, FLAT, REG M5	32	
-	1	5-1655316-3	SCR, SKT HD CAP, M5 X 10.0	31	
-	1	1-1320908-5	SPACER, STRIP GUIDE	30	
-	1	1901087-1	ASSEMBLY, STRIP GUIDE	29	
-	1	455888-3	SPACER, CRIMPER	28	
-	1	1320928-1	PLATE, STRIP GUIDE	24	
-	1	1976045-1	STRIPPER	22	
-	1	18028-2	WASHER, FLAT, REG M4	20	
-	REF	REF	REF	STRIPPER	19
-	1	1338684-2	SHEAR HOLDER, FRONT	13	
-	1	3-22280-3	SPRING, COMPRESSION	12	
-	1	356885-5	STOP, SHEAR	11	
-	1	1-1320921-0	SHEAR HOLDER, FRONT, CUT	10	
-	1	318707-1	FLOATING SHEAR, FRONT	9	
-	1	9-1333204-9	ANVIL, COMBINATION	8	
-	1	1338680-1	DEPRESSOR, SHEAR	5	
-	1	3-238011-3	BLOCK, CRIMPER SPACER	4	
-	1	8-683454-9	CRIMPER, INSULATION O	3	
-	1	1-455888-1	SPACER, CRIMPER	2	
-	1	1-456405-5	CRIMPER, WIRE PREMIUM	1	
-	77-76	-71 -6 -1	PART NO	DESCRIPTION	ITEM NO

DIMENSIONS: 1 INCHES (mm)	TOLERANCES UNLESS OTHERWISE SPECIFIED: 0 PLC ± 1 PLC ± 2 PLC ± 3 PLC ± 4 PLC ±	OWN: D. Wright CDR: N. DEMING APVD: N. DEMING PRODUCT SPEC: APPLICATION SPEC: SEE TABLE WEIGHT: CUSTOMER DRAWING	Tyco Electronics Harrisburg, PA 17105-3608 NAME: SIDE FEED SYSTEM III APPLICATOR SIZE: A CAGE CODE: 00779 DRAWING NO: 1911011 SCALE: 3:5 SHEET: 1 OF 1 REV: B
------------------------------	---	---	---

- 1 RECOMMENDED SPARE PARTS.
- 2 GREASE BEARING SURFACES LIGHTLY.
- 3 LUBRICATE DAILY PER THE APPLICATOR INSTRUCTION SHEET SUPPLIED WITH THE APPLICATOR.
- 4 THIS APPLICATOR APPLIES TERMINAL WITH A SEAL. WIRE INSULATION DIA IS DEPENDENT ON SEAL BEING APPLIED. SEE APPL. SPEC. FOR DETAILS.
- 5 APPLY TORQ-SEAL IN ALLEN SOCKET TO FILL HOLE AFTER FLAT HD HAS BEEN ADJUSTED TO CORRECT HEIGHT AT QUALIFICATION. APPLY P/N 1-23419-5 LOCTITE(R) TO THREADS.
- 6 APPLY P/N 1-23419-5 LOCTITE(R) TO THREADS.
- 7 ITEM 19 - OPTIONAL STRIPPER FOR BENCH MACHINE APPLICATION.
- 8 APPLICATOR SPECIFIC DATA TO BE ENTERED INTO BLANK MEMORY CHIP AT ASSEMBLY.