

SATA 6Gb/s Industrial mSATA Manual



mSATA (mini-SATA, MO-300) is a non-volatile, solid-state storage device delivering Serial ATA performance, reliability and ruggedness for industrial and environmentally challenging applications.

Manual	3/9/2017
PSFEM2xxxGTxxx	Viking Technology
Revision J	Page 1 of 34

Revision History

Date	Revision	Description	Checked by
7/21/14	X1	Preliminary release based on modified PSFS22xxxGTxxx_A. Add note that industrial MLC SSD's have no PFAIL support. Revise Table 4-1 (Mini PCIe Connector Pin Signal Definitions (add Pin 30, Pin 32 and Pin 48)	
4/27/15	A	Initial release. Add Photo. Update per PSG	
5/26/15	B	Revise power consumption table. IOPS per IOmeter8. Remove PFAIL/DATA Hardening signaling. Changed Absolute max Vin 3.6V. Reliability table changed from 72 bit per 1KB to 120 bit per 2KB page . 5/08/15. Add VPFEM2240GTCVMTK and POR timing (5/12/15 B) change the description of the Pin 43 to NC from GND	
8/8/15	C	Add 15nm PN's	
2/1/16	D	Add VPFEM2032GTCDMTL	
5/31/16	E	Add TBW for 15nm (4/4/16) Add 32GB and 64GB PN's, power and performance. (5/31/16)	
6/1/16	F	Remove I2C support at pin 30 and pin 32 and note 3	
10/17/2016	H	Change VRxxx to VPxxx. Add VPFEM2960GTCZMTL. Revise logo and color scheme. Change company address. Update per vendor spec V1 9 (9/21/16) Revise format. Remove PFAIL notes	
1/30/2017	I	Remove VPFEM2128GTCDMTL	
3/9/2017	J	Add 32G SLC and 128G MLC PN's	

Manual	3/9/2017
PSFEM2xxxGTxxx	Viking Technology
Revision J	Page 2 of 34

Legal Information

Legal Information

Copyright© 2017 Sanmina Corporation. All rights reserved. The information in this document is proprietary and confidential to Sanmina Corporation. No part of this document may be reproduced in any form or by any means or used to make any derivative work (such as translation, transformation, or adaptation) without written permission from Sanmina. Sanmina reserves the right to revise this documentation and to make changes in content from time to time without obligation on the part of Sanmina to provide notification of such revision or change.

Sanmina provides this documentation without warranty, term or condition of any kind, either expressed or implied, including, but not limited to, expressed and implied warranties of merchantability, fitness for a particular purpose, and non-infringement. While the information contained herein is believed to be accurate, such information is preliminary, and should not be relied upon for accuracy or completeness, and no representations or warranties of accuracy or completeness are made. In no event will Sanmina be liable for damages arising directly or indirectly from any use of or reliance upon the information contained in this document. Sanmina may make improvements or changes in the product(s) and/or the program(s) described in this documentation at any time.

Sanmina, Viking Technology, Viking Modular Solutions, and Element logo are trademarks of Sanmina Corporation. Other company, product or service names mentioned herein may be trademarks or service marks of their respective owners.

Manual	3/9/2017
PSFEM2xxxGTxxx	Viking Technology
Revision J	Page 3 of 34

Ordering Information: mSATA SSD Solid-State Drive

Part Numbers	SATA Interface	Application	Useable Capacity (GB)	NAND Technology	Temperature Range	NAND
VPFEM2001TTCCMTL	SATA 6GB	Client	960	MLC	(0 to +70°c)	TSB 15nm L-die
VPFEM2480GTCZMTL	SATA 6GB	Client	480	MLC	(0 to +70°c)	TSB 15nm L-die
VPFEM2240GTCAMTL	SATA 6GB	Client	240	MLC	(0 to +70°c)	TSB 15nm L-die
VPFEM2120GTCBMTL	SATA 6GB	Client	120	MLC	(0 to +70°c)	TSB 15nm L-die
VPFEM2128GTCBMTL	SATA 6GB	Client	128	MLC	(0 to +70°c)	TSB 15nm L-die
VPFEM2064GTCYMTL	SATA 6GB	Client	64	MLC	(0 to +70°c)	TSB 15nm L-die
VPFEM2032GTCDMTL	SATA 6GB	Client	32	MLC	(0 to +70°c)	TSB 15nm L-die
VPFEM2032GTCDSTL	SATA 6GB	Client	32	SLC	(0 to +70°c)	TSB 15nm L-die

Notes:

- Usable capacity based on specification LBA1-03a and level of over-provisioning applied to wear leveling, bad sectors, index tables etc.
- Higher capacity points may be available based on customer application. Consult your local Viking Field Application Engineer.
- SSD's ship unformatted from the factory unless otherwise requested.
- 1 GB = 1,000,000,000 Byte
- One Sector = 512 Byte.
- "y" specifies flash capacity code
- xx is a wild card to indicate customer specific BOM and/or manufacturing location

Manual	3/9/2017
PSFEM2xxxGTxxx	Viking Technology
Revision J	Page 4 of 34

Viking’s solid state drives are available in Enterprise and Client versions:

Enterprise SSD – An Enterprise SSD contains hardware and firmware that detect and manage power failures. This allows the drive to flush the controller cache and harden data to NAND flash. No data is lost or corrupted.

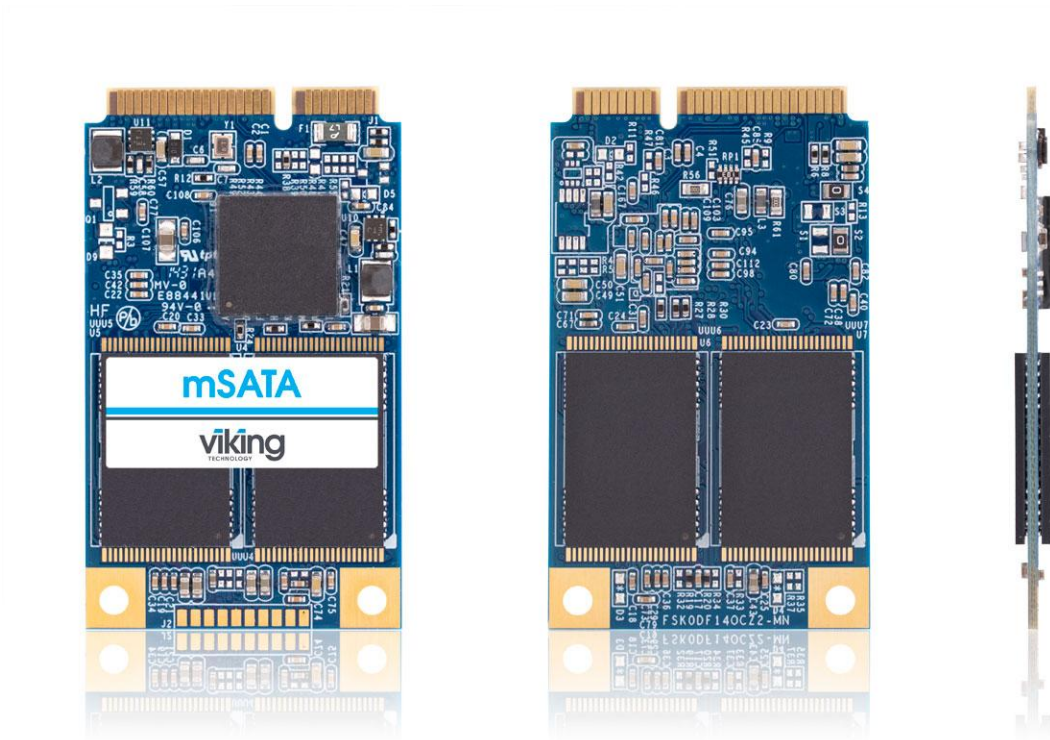
Industrial SSD – An industrial SSD does not include power failure detection or management features. MLC NAND, as opposed to SLC NAND, can become corrupted if power is removed during a write, also known as lower page corruption. Therefore, an industrial SSD using MLC NAND is well-suited in a system that already manages power fail events, allowing for graceful SSD shutdown. Accordingly, system support should include issuing a Standby Immediate command to the SSD while maintaining power for at least 50ms.

If an industrial drive with MLC NAND is used in a system that does not manage power failures and shutdowns, there is a small chance of data corruption. Viking Industrial SSD’s take sophisticated hardware and firmware measures to prevent or mitigate such issues making the chance of corruption very small.

If the SSD controller detects data corruption, the drive will be locked. The only way to recover the drive is to return it to the factory for reprogramming; all data will be lost.

Manual	3/9/2017
PSFEM2xxxGTxxx	Viking Technology
Revision J	Page 5 of 34

Product Picture(s)



Manual	3/9/2017
PSFEM2xxxGTxxx	Viking Technology
Revision J	Page 6 of 34

Table of Contents

1	INTRODUCTION	10
1.1	General Description	10
1.2	Controller Block Diagram	10
1.3	Product Block Diagram	11
1.4	Flash Management	11
1.4.1	Error Correction Code (ECC)	11
1.4.2	Wear Leveling	11
1.4.3	Bad Block Management	12
1.4.4	TRIM	12
1.4.5	SMART	12
1.4.6	Over-Provision	12
1.4.7	Firmware Upgrade	13
1.5	Low Power Management	13
1.5.1	DEVSLP Mode (Optional)	13
1.5.2	DIPM/HIPM Mode	13
1.6	Power Loss Protection: Flushing Mechanism	13
1.7	Advanced Device Security Features	14
1.7.1	Secure Erase	14
1.7.2	Write Protect	14
1.8	SSD Lifetime Management	15
1.8.1	Terabytes Written (TBW)	15
1.8.2	Thermal Monitor (Optional)	15
1.9	An Adaptive Approach to Performance Tuning	16
1.9.1	Throughput	16
1.9.2	Predict & Fetch	16
2	PRODUCT SPECIFICATIONS	17
3	ENVIRONMENTAL SPECIFICATIONS	20
3.1	Environmental Conditions	20
3.1.1	Temperature and Humidity	20

Manual	3/9/2017
PSFEM2xxxGTxxx	Viking Technology
Revision J	Page 7 of 34

3.1.2	Shock	21
3.1.3	Vibration	21
3.1.4	Drop.....	21
3.1.5	Bending	21
3.1.6	Torque	22
3.1.7	Electrostatic Discharge (ESD).....	22
3.1.8	EMI Compliance	22
3.2	MTBF.....	22
3.3	Certification & Compliance.....	23
4	ELECTRICAL SPECIFICATIONS	23
4.1	Supply Voltage.....	23
4.2	Power Consumption.....	24
5	INTERFACE	25
5.1	Pin Assignment and Descriptions	25
6	SUPPORTED COMMANDS	26
6.1	ATA Command List	26
6.2	Identify Device Data	27
7	PHYSICAL DIMENSION	32
8	REFERENCES	33
9	TERMINOLOGY	34

Manual	3/9/2017
PSFEM2xxxGTxxx	Viking Technology
Revision J	Page 8 of 34

Table of Tables

<i>Table 3-1: High Temperature Test Condition</i>	20
<i>Table 3-2: Low Temperature Test Condition</i>	20
<i>Table 3-3: High Humidity Test Condition</i>	20
<i>Table 3-4: Temperature Cycle Test</i>	20
<i>Table 3-5: Viking mSATA Shock Specification</i>	21
<i>Table 3-6: Viking mSATA Vibration Specification</i>	21
<i>Table 3-7: Viking mSATA Drop Specification</i>	21
<i>Table 3-8: Viking mSATA Bending Specification</i>	21
<i>Table 3-9: Viking mSATA Torque Specification</i>	22
<i>Table 3-10: Viking mSATA Contact ESD Specification</i>	22
<i>Table 4-1: Supply Voltage of Viking mSATA</i>	23
<i>Table 4-2: Power Consumption of Viking mSATA</i>	24
<i>Table 5-1: Pin Assignment and Description of Viking mSATA</i>	25
<i>Table 6-1: ATA Command List</i>	26
<i>Table 6-2: List of Device Identification</i>	27
<i>Table 6-3: List of Device Identification for Each Capacity</i>	31
<i>Table 8-1: List of References</i>	33
<i>Table 9-1: List of Terminology</i>	34

Table of Figures

<i>Figure 1-1: Viking mSATA Controller Block Diagram</i>	10
<i>Figure 1-2: Viking mSATA Product Block Diagram</i>	11
<i>Figure 7-1: PHYSICAL DIMENSION</i>	32

Manual	3/9/2017
PSFEM2xxxGTxxx	Viking Technology
Revision J	Page 9 of 34

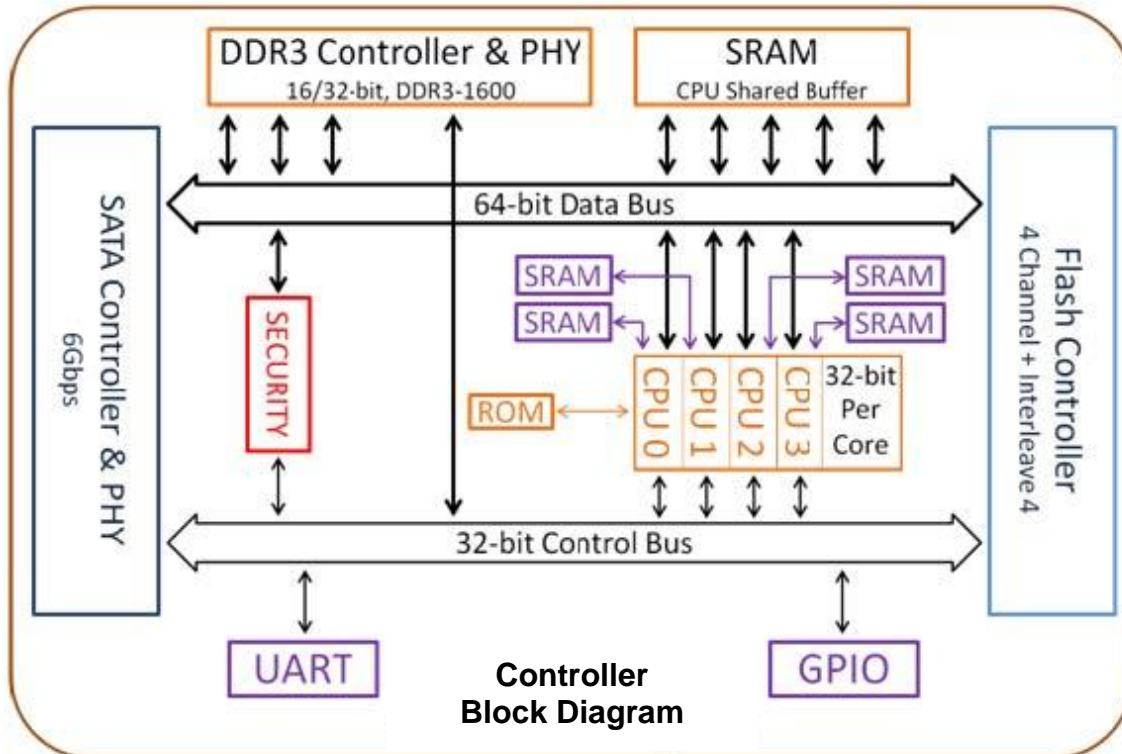
1 INTRODUCTION

1.1 General Description

The Viking mSATA delivers all the advantages of flash disk technology with the Serial ATA I/II/III interface and is fully compliant with the standard mSATA form factor, known as JEDEC MO-300 standard. The module is designed to operate at a maximum operating frequency of 300MHz with 30MHz external crystal. Its capacity could provide a wide range up to 480GB(512GB). Moreover, it can reach up to 530MB/s read as well as 500MB/s write high performance based on Toggle 2.0 MLC flash (with 256MB/512MB DDR enabled and measured by CrystalDiskMark v3.0). Meanwhile, the power consumption of the mSATA module is much lower than traditional hard drives.

1.2 Controller Block Diagram

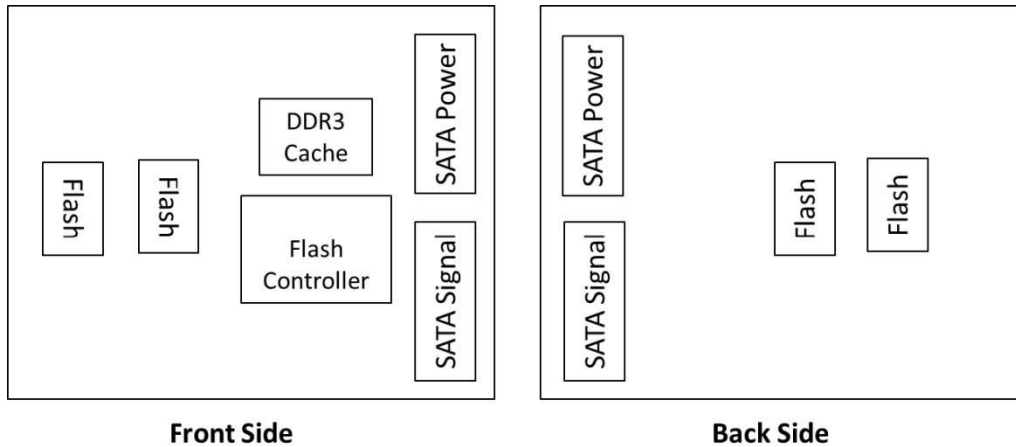
Figure 1-1: Viking mSATA Controller Block Diagram



Manual	3/9/2017
PSFEM2xxxGTxxx	Viking Technology
Revision J	Page 10 of 34

1.3 Product Block Diagram

Figure 1-2: Viking mSATA Product Block Diagram



1.4 Flash Management

1.4.1 Error Correction Code (ECC)

Flash memory cells will deteriorate with use, which might generate random bit errors in the stored data. The Viking mSATA applies the BCH ECC algorithm, which can detect and correct errors occur during read process, ensure data been read correctly, as well as protect data from corruption.

1.4.2 Wear Leveling

NAND flash devices can only undergo a limited number of program/erase cycles, and in most cases, the flash media are not used evenly. If some areas get updated more frequently than others, the lifetime of the device would be reduced significantly. The Wear Leveling is applied to extend the lifespan of NAND flash by evenly distributing write and erase cycles across the media. Viking SSDs provides advanced Wear Leveling algorithm, which can efficiently spread out the flash usage through the whole flash media area. Moreover, by implementing both dynamic and static Wear Leveling algorithms, the life expectancy of the NAND flash is greatly improved.

Manual	3/9/2017
PSFEM2xxxGTxxx	Viking Technology
Revision J	Page 11 of 34

1.4.3 Bad Block Management

Bad blocks are blocks that include one or more invalid bits, and their reliability is not guaranteed. Blocks that are identified and marked as bad by the manufacturer are referred to as “Initial Bad Blocks”. Bad blocks that are developed during the lifespan of the flash are named “Later Bad Blocks”. Viking SSDs implements an efficient bad block management algorithm to detect the factory-produced bad blocks and manages any bad blocks that appear with use. This practice further prevents data being stored into bad blocks and improves the data reliability.

1.4.4 TRIM

TRIM is a feature which helps improve the read/write performance and speed of solid-state drives (SSD). Unlike hard disk drives (HDD), SSDs are not able to overwrite existing data, so the available space gradually becomes smaller with each use. With the TRIM command, the operating system can inform the SSD which blocks of data are no longer in use and can be removed permanently. The SSD will perform the erase action, which prevents unused data from occupying blocks all the time.

1.4.5 SMART

SMART, an acronym for Self-Monitoring, Analysis and Reporting Technology, is an open standard that allows a hard disk drive to automatically detect its health and report potential failures. When a failure is recorded by SMART, users can choose to replace the drive to prevent unexpected outage or data loss. Moreover, SMART can inform users of impending failures while there is still time to perform proactive actions, such as copy data to another device.

1.4.6 Over-Provision

Over Provisioning refers to the inclusion of extra NAND capacity in a SSD, which is not visible and cannot be used by users. With Over Provisioning, the performance and IOPS (Input/Output Operations per Second) are improved by providing the controller additional space to manage P/E cycles, which enhances the reliability and endurance as well. Moreover, the write amplification of the SSD becomes lower when the controller writes data to the flash.

Manual	3/9/2017
PSFEM2xxxGTxxx	Viking Technology
Revision J	Page 12 of 34

1.4.7 Firmware Upgrade

Firmware can be considered as a set of instructions on how the device communicates with the host. Firmware will be upgraded when new features are added, compatibility issues are fixed, or read/write performance gets improved.

1.5 Low Power Management

1.5.1 DEVSLP Mode (Optional)

With the increasing need of aggressive power/battery life, SATA interfaces include a new feature, Device Sleep (DEVSLP) mode, which helps further reduce the power consumption of the device. DEVSLP enables the device to completely power down the device PHY and other sub-systems, making the device reach a new level of lower power operation. The DEVSLP does not specify the exact power level a device can achieve in the DEVSLP mode, but the power usage can be dropped down to 5mW or less.

1.5.2 DIPM/HIPM Mode

SATA interfaces contain two low power management states for power saving: Partial and Slumber modes. For Partial mode, the device has to resume to full operation within 10 microseconds, whereas the device will spend 10 milliseconds to become fully operational in the Slumber mode. SATA interfaces allow low power modes to be initiated by Host (HIPM, Host Initiated Power Management) or Device (DIPM, Device Initiated Power Management). As for HIPM, Partial or Slumber mode can be invoked directly by the software. For DIPM, the device will send requests to enter Partial or Slumber mode.

1.6 Power Loss Protection: Flushing Mechanism

Power Loss Protection is a mechanism to prevent data loss during unexpected power failure. DRAM is a volatile memory and frequently used as temporary cache or buffer between the controller and the NAND flash to improve the SSD performance. However, one major concern of the DRAM is that it is not able to keep data during power failure. Accordingly, the Viking applies the GuaranteedFlush technology, which requests the controller to transfer data to the cache. For PS3110-S10C, DDR performs as a cache, and its sizes include 256MB or 512MB. Only when the data is fully committed to the NAND flash will the controller send acknowledgement (ACK) to the host. Such implementation can prevent false-positive performance and the risk of power cycling issues.

Manual	3/9/2017
PSFEM2xxxGTxxx	Viking Technology
Revision J	Page 13 of 34

Additionally, it is critical for a controller to shorten the time the in-flight data stays in the cache. Viking applies an algorithm to reduce the amount of data resides in the cache to provide a better performance. This SmartCacheFlush technology allows incoming data to only have a “pit stop” in the cache and then move to the NAND flash at once. If the flash is jammed due to particular file sizes (such as random 4KB data), the cache will be treated as an “organizer”, consolidating incoming data into groups before written into the flash to improve write amplification.

In sum, with Flush Mechanism, Viking proves to provide the reliability required by consumer, industrial, and enterprise-level applications.

1.7 Advanced Device Security Features

1.7.1 Secure Erase

Secure Erase is a standard ATA command and will write all “0x00” to fully wipe all the data on hard drives and SSDs. When this command is issued, the SSD controller will erase its storage blocks and return to its factory default settings.

1.7.2 Write Protect

When a SSD contains too many bad blocks and data are continuously written in, then the SSD might not be usable anymore. Write Protect is a mechanism to prevent data from being written in and protect the accuracy of data that are already stored in the SSD.

Manual	3/9/2017
PSFEM2xxxGTxxx	Viking Technology
Revision J	Page 14 of 34

1.8 SSD Lifetime Management

1.8.1 Terabytes Written (TBW)

TBW (Terabytes Written) is a measurement of SSDs' expected lifespan, which represents the amount of data written to the device. To calculate the TBW of a SSD, the following equation is applied:

$$TBW = [(NAND\ Endurance) \times (SSD\ Capacity)] / WAF$$

NAND Endurance:

NAND endurance refers to the P/E (Program/Erase) cycle of the NAND

SSD Capacity:

The SSD capacity is the specific capacity in total of a SSD.

WAF: Write Amplification Factor (WAF) is a numerical value representing the ratio between the amount of data that a SSD controller needs to write and the amount of data that the host's flash controller writes. A better WAF, which is near 1, guarantees better endurance and lower frequency of data written to flash memory.

1.8.2 Thermal Monitor (Optional)

Thermal monitors are devices for measuring temperature, and can be found in SSDs in order to issue warnings when SSDs go beyond a certain temperature. The higher temperature the thermal monitor detects, the more power the SSD consumes, causing the SSD to get aging quickly. Hence, the processing speed of a SSD should be under control to prevent temperature from exceeding a certain range. Meanwhile, the SSD can achieve power savings.

Manual	3/9/2017
PSFEM2xxxGTxxx	Viking Technology
Revision J	Page 15 of 34

1.9 An Adaptive Approach to Performance Tuning

1.9.1 Throughput

Based on the available space of the disk, Viking will regulate the read/write speed and manage the performance of throughput. When there still remains a lot of space, the firmware will continuously perform read/write action. There is still no need to implement garbage collection to allocate and release memory, which will accelerate the read/write processing to improve the performance. Contrarily, when the space is going to be used up, Viking will slow down the read/write processing, and implement garbage collection to release memory. Hence, read/write performance will become slower.

1.9.2 Predict & Fetch

Normally, when the host tries to read data from the SSD, the SSD will only perform one read action after receiving one command. However, Viking applies Predict & Fetch to improve the read speed. When the host issues sequential read commands to the SSD, the SSD will automatically expect that the following will also be read commands. Before receiving the next command, flash has already prepared the data. Accordingly, this accelerates the data processing time, and the host does not need to wait so long to receive data.

Manual	3/9/2017
PSFEM2xxxGTxxx	Viking Technology
Revision J	Page 16 of 34

2 PRODUCT SPECIFICATIONS

■ Capacity

- From 60GB(64GB) up to 960GB(1TB) (support 48-bit addressing mode)

■ Electrical/Physical Interface

- SATA Interface
- Compliant with SATA Revision 3.2
- Compatible with SATA 1.5Gbps, 3Gbps and 6Gbps interface
- Support power management
- Support expanded register for SATA protocol 48 bits addressing mode

■ Supported NAND Flash

- Toshiba 24nm, A19nm, 15nm SLC, MLC, Toggle 1.0 and Toggle 2.0
- Intel/Micron 16nm MLC, ONFI 2.3 and ONFI 3.0
- Hynix 20nm(TBD)
- Support all types of SLC/MLC large block: 16K/page NAND flash
- Support ONFI 3.2 interface:
 - SDR and NV-DDR up to mode 5, NV-DDR2 up to mode 7
- Contain 2pcs to 4pcs of BGA flash

■ ECC Scheme

- Viking mSATA can correct up to 120 bits error in 2KByte data.

■ UART function

■ GPIO

■ Support SMART and TRIM commands

Manual	3/9/2017
PSFEM2xxxGTxxx	Viking Technology
Revision J	Page 17 of 34

■ Performance

Capacity	Flash Structure	Flash Type	Sequential	
			Read	Write
			(MB/s)	(MB/s)
60GB (64GB)	32GB x 2	BGA132, TSB A19nm	530	190
60GB (64GB)	16GB x 4	TSOP, TSB A19nm	530	190
120GB (128GB)	32GB x 4	BGA132, TSB A19nm	530	380
120GB (128GB)	32GB x 4	BGA132, TSB 15nm	540	200
240GB (256GB)	64GB x 4	BGA132, TSB A19nm	520	365
240GB (256GB)	64GB x 4	BGA132, TSB 15nm	540	400
480GB (512GB)	128GB x 4	BGA152, TSB A19nm	520	500
480GB (512GB)	128GB x 4	BGA152, TSB 15nm	540	520
960GB (1TB)	256GB x 4	BGA132, TSB 15nm	540	510
120GB (128GB)	32GB x 4	BGA132, Micron L95B	500	160
240GB (256GB)	64GB x 4	BGA132, Micron L95B	520	320
480GB (512GB)	128GBx4	BGA152, Micron L95B	520	320

Notes:

1. The performance was measured using CrystalDiskMark with SATA 6Gbps host.
2. Samples were built using Toshiba A19nm/15nm Toggle and Micron L95B ONFI MLC NAND.
3. Performance may differ according to flash configuration, DDR configuration, and platform.
4. The table above is for reference only. The criteria for MP (mass production) and for accepting goods shall be discussed based on different flash configuration.

Manual	3/9/2017
PSFEM2xxxGTxxx	Viking Technology
Revision J	Page 18 of 34

■ **TBW (Terabytes Written)**

Capacity	Flash Structure	TBW
60GB (64GB)	32GB x 2 16GB x 4	128
120GB (128GB)	32GB x 4	257
240GB (256GB)	64GB x 4	514
480GB (512GB)	128GB x 4	1028
960GB (1TB)	256GB x 4	2057

Notes:

1. Samples were built using Toshiba A19nm Toggle MLC, Micron L95B ONFI MLC NAND.
2. TBW may differ according to flash configuration, DDR configuration, and platform.
3. The endurance of SSD could be estimated based on user behavior, NAND endurance cycles, and write amplification factor. It is not guaranteed by flash vendor.

Manual	3/9/2017
PSFEM2xxxGTxxx	Viking Technology
Revision J	Page 19 of 34

3 ENVIRONMENTAL SPECIFICATIONS

3.1 Environmental Conditions

3.1.1 Temperature and Humidity

■ **Temperature:**

- Storage: -40°C to 85°C
- Operational: 0°C to 70°C

■ **Humidity: RH 90% under 40°C (operational)**

Table 3-1: High Temperature Test Condition

	Temperature	Humidity	Test Time
Operation	70°C	0% RH	72 hours
Storage	85°C	0% RH	72 hours

Result: No any abnormality is detected.

Table 3-2: Low Temperature Test Condition

	Temperature	Humidity	Test Time
Operation	0°C	0% RH	72 hours
Storage	-40°C	0% RH	72 hours

Result: No any abnormality is detected.

Table 3-3: High Humidity Test Condition

	Temperature	Humidity	Test Time
Operation	40°C	90% RH	4 hours
Storage	40°C	93% RH	72 hours

Result: No any abnormality is detected.

Table 3-4: Temperature Cycle Test

	Temperature	Test Time	Cycle
Operation	0°C	30 min	10 Cycles
	70°C	30 min	
Storage	-40°C	30 min	10 Cycles
	85°C	30 min	

Result: No any abnormality is detected.

3.1.2 Shock

Table 3-5: Viking mSATA Shock Specification

	Acceleration Force	Half Sin Pulse Duratio
Non-operational	1500G	0.5ms

Result: No any abnormality is detected when power on.

3.1.3 Vibration

Table 3-6: Viking mSATA Vibration Specification

	Condition		Vibration Orientation
	Frequency/Displacement	Frequency/Acceleration	
Non-operational	20Hz~80Hz/1.52mm	80Hz~2000Hz/20G	X, Y, Z axis/60 min for each

Result: No any abnormality is detected when power on.

3.1.4 Drop

Table 3-7: Viking mSATA Drop Specification

	Height of Drop	Number of Drop
Non-operational	80cm free fall	6 face of each unit

Result: No any abnormality is detected when power on.

3.1.5 Bending

Table 3-8: Viking mSATA Bending Specification

	Force	Action
Non-operational	≥ 20N	Hold 1min/5times

Result: No any abnormality is detected when power on.

3.1.6 Torque

Table 3-9: Viking mSATA Torque Specification

	Force	Action
Non-operational	0.5N-m or 2.5 deg	Hold 1min/5times

Result: No any abnormality is detected when power on.

3.1.7 Electrostatic Discharge (ESD)

Table 3-10: Viking mSATA Contact ESD Specification

Device	Capacity	Temperature	Relative Humidity	+/- 4KV	Result
mSATA	240GB (256GB)	24.0°C	49% (RH)	Device functions are affected, but EUT will be back to its normal or operational state automatically.	PASS
480GB (512GB)					

3.1.8 EMI Compliance

- TBD

3.2 MTBF

MTBF, an acronym for Mean Time Between Failures, is a measure of a device's reliability. Its value represents the average time between a repair and the next failure. The measure is typically in units of hours. The higher the MTBF value, the higher the reliability of the device. The predicted result of Viking mSATA is more than 2,000,000 hours.

Manual	3/9/2017
PSFEM2xxxGTxxx	Viking Technology
Revision J	Page 22 of 34

3.3 Certification & Compliance

- RoHS
- SATA III (SATA Rev. 3.2)
- Up to ATA/ATAPI-8 (Including S.M.A.R.T)

4 ELECTRICAL SPECIFICATIONS

4.1 Supply Voltage

Table 4-1: Supply Voltage of Viking mSATA

Parameter	Rating
Operating Voltage	3.3V

Manual	3/9/2017
PSFEM2xxxGTxxx	Viking Technology
Revision J	Page 23 of 34

4.2 Power Consumption

Table 4-2: Power Consumption of Viking mSATA

Capacity	Flash Structure	Flash Type	Read	Write	Partial	Idle
60GB (64GB)	32GB x 2	BGA, TSB A19nm	TBD	TBD	TBD	TBD
60GB (64GB)	16GB x 4	TSOP, TSB A19nm	2,080	2,295	300	430
120GB (128GB)	32GB x 4	BGA, TSB A19nm	1,990	2,975	300	405
120GB (128GB)	32GB x 4	BGA, TSB 15nm	2060	2350	260	365
240GB (256GB)	64GB x 4	BGA, TSB A19nm	1,965	2,925	260	370
240GB (256GB)	64GB x 4	BGA, TSB 15nm	2080	3560	260	365
480GB (512GB)	128GB x 4	BGA, TSB A19nm	2,025	3,360	280	390
480GB (512GB)	128GB x 4	BGA, TSB 15nm	2380	3620	270	370
960GB (1TB)	256GB x 4	BGA, TSB 15nm	TBD	TBD	TBD	TBD
120GB (128GB)	32GB x 4	BGA132, Micron L95B	2195	2370	305	430
240GB (256GB)	64GB x 4	BGA132, Micron L95B	2240	3535	300	420
480GB (512GB)	128GB x 4	BGA152, Micron L95B	TBD	TBD	TBD	TBD

Notes:

1. Unit: mW
2. The average value of power consumption is achieved based on 100% conversion efficiency.
3. The measured power voltage is 3.3V.
4. Samples are Toshiba A19nm Toggle MLC NAND and measured under ambient temperature.
5. Sequential R/W measured while testing 4000MB sequential R/W 5 times by CrystalDiskMark.
6. Power Consumption varies on flash configuration, DDR configuration, and platform

Manual	3/9/2017
PSFEM2xxxGTxxx	Viking Technology
Revision J	Page 24 of 34

5 INTERFACE

5.1 Pin Assignment and Descriptions

Table 5-1: Pin Assignment and Description of Viking mSATA

Pin #	mSATA	Description	Pin #	mSATA	Description
1	NC	No Connect	27	SATA GND	SATA Ground Return Pin
2	+3.3V	3.3V Source	28	NC	No Connect
3	NC	No Connect	29	SATA GND	SATA Ground Return Pin
4	DGND	Digital GND	30	NC	No Connect
5	NC	No Connect	31	RXN (in)	Host Transmitter Differential Signal Pair
6	NC	No Connect	32	NC	No Connect
7	NC	No Connect	33	RXP (in)	Host Transmitter Differential Signal Pair
8	NC	No Connect	34	DGND	Digital GND
9	DGND	Digital GND	35	SATA GND	SATA Ground Return Pin
10	NC	No Connect	36	NC	No Connect
11	NC	No Connect	37	SATA GND	SATA Ground Return Pin
12	NC	No Connect	38	NC	No Connect
13	NC	No Connect	39	+3.3V	3.3V Source
14	NC	No Connect	40	DGND	Digital GND
15	DGND	Digital GND	41	+3.3V	3.3V Source
16	NC	No Connect	42	NC	No Connect
17	NC	No Connect	43	NC	No Connect
18	DGND	Digital GND	44	DEVSLP	Enter/Exit DevSleep
19	NC	No Connect	45	NC	Reserved pin
20	NC	No Connect	46	NC	No Connect
21	SATA GND	SATA Ground Return Pin	47	NC	Reserved pin
22	NC	No Connect	48	NC	No Connect
23	TXP (out)	Host Receiver Differential Signal Pair	49	DAS	Device Activity Signal
24	+3.3V	3.3V Source	50	DGND	Digital GND
25	TXN (out)	Host Receiver Differential Signal Pair	51	GND	Default connect to GND
26	SATA GND	SATA Ground Return Pin	52	+3.3V	3.3V Source

Manual	3/9/2017
PSFEM2xxxGTxxx	Viking Technology
Revision J	Page 25 of 34

6 SUPPORTED COMMANDS

6.1 ATA Command List

Table 6-1: ATA Command List

Op-Code	Command Description	Op-Code	Command Description	
00h	NOP	60h	Read FPDMA Queued	
06h	Data Set Management	61h	Write FPDMA Queued	
10h	Recalibrate	70h	Seek	
20h	Read Sectors	90h	Execute Device Diagnostic	
21h	Read Sectors without Retry	91h	Initialize Device Parameters	
24h	Read Sectors EXT	92h	Download Microcode	
25h	Read DMA EXT	93h	Download Microcode DMA	
27h	Read Native Max Address EXT	B0h	SMART	
29h	Read Multiple EXT	B0h	D0h	SMART READ DATA
2Fh	Read Log EXT	B0h	D1h	SMART READ DATA ATTRIBUTE THRESHOLD
30h	Write Sectors	B0h	D2h	SMART ENABLE/DISABLE ATTRIBUTE AUTOSAVE
31h	Write Sectors without Retry	B0h	D3h	SMART SAVE ATTRIBUTE VALUES
34h	Write Sectors EXT	B0h	D4h	SMART EXECUTE OFF-LINE IMMEDIATE
35h	Write DMA EXT	B0h	D5h	SMART READ LOG
37h	Set Native Max Address EXT	B0h	D6h	SMART WRITE LOG
39h	Write Multiple EXT	B0h	D8h	SMART ENABLE OPERATIONS
3Dh	Write DMA FUA EXT	B0h	D9h	SMART DISABLE OPERATIONS
3Fh	Write Long EXT	B0h	DAh	SMART RETURN STATUS
40h	Read Verify Sectors	B0h	DBh	SMART ENABLE/DISABLE AUTOMATIC OFF-LINE
41h	Read Verify Sectors without Retry	B1h		DEVICE CONFIGURATION OVERLAY
42h	Read Verify Sectors EXT	B1h	C0h	DEVICE CONFIGURATION RESTORE
45h	Write Uncorrectable EXT	B1h	C1h	DEVICE CONFIGURATION FREEZE LOCK
47h	Read Log DMA EXT	B1h	C2h	DEVICE CONFIGURATION IDENTIFY
57h	Write Log DMA EXT	B1h	C3h	DEVICE CONFIGURATION SET
B1h	C4h	DEVICE CONFIGURATION IDENTIFY DMA	ECh	Identify Device
B1h	C5h	DEVICE CONFIGURATION SET DMA	EFh	Set Features
C4h	Read Multiple	EFh	02h	Enable 8-bit PIO transfer mode
C5h	Write Multiple	EFh	03h	Set transfer mode based on value in Count field
C6h	Set Multiple Mode	EFh	05h	Enable advanced power management
C8h	Read DMA	EFh	10h	Enable use of Serial ATA feature

Manual	3/9/2017
PSFEM2xxxGTxxx	Viking Technology
Revision J	Page 26 of 34

Op-Code	Command Description	Op-Code	Command Description
C9h	Read DMA without Retry	EFh 10h 02h	Enable DMA Setup FIS Auto-Activate optimization
CAh	Write DMA	EFh 10h 03h	Enable Device-initiated interface power state (DIPM) transitions
CBh	Write DMA without Retry	EFh 10h 06h	Enable Software Settings Preservation (SSP)
CEh	Write Multiple FUA EXT	EFh 10h 07h	Enable Device Automatic Partial to Slumber transitions
E0h	Standby Immediate	EFh 10h 09h	Enable Device Sleep
E1h	Idle Immediate	EFh 55h	Disable read look-ahead feature
E2h	Standby	EFh 66h	Disable reverting to power-on defaults
E3h	Idle	EFh 82h	Disable write cache
E4h	Read Buffer	EFh 85h	Disable advanced power management
E5h	Check Power Mode	EFh 90h	Disable use of Serial ATA feature set
E6h	Sleep	EFh 90h 02h	Disable DMA Setup FIS Auto-Activate optimization
E7h	Flush Cache	EFh 90h 03h	Disable Device-initiated interface power state (DIPM) transitions
E8h	Write Buffer	EFh 90h 06h	Disable Software Settings Preservation(SSP)
E9h	Read Buffer DMA	EFh 90h 07h	Disable Device Automatic Partial to Slumber transitions
EAh	Flush Cache EXT	EFh 90h 09h	Disable Device Sleep
EBh	Write Buffer DMA	EFh AAh	Enable read look-ahead feature
EFh CCh	Enable reverting to power-on defaults	F4h	Security Erase Unit
	F1h	F5h	Security Freeze Lock
	F2h	F6h	Security Disable Password
	F3h	F8h	Read Native Max Address

6.2 Identify Device Data

The following table details the sector data returned by the IDENTIFY DEVICE command.

Table 6-2: List of Device Identification

Word	ATA Identify Parameter	Value
0	General configuration	0040h
1	Number of cylinders in the default CHS translation	3FFFh
2	Specific configuration	C837h
3	Number of heads in the default CHS translation	0010h
4-5	Retired	0000h
6	Number of sectors per track in the default CHS translation	003Fh

Word	ATA Identify Parameter	Value
7-8	Reserved for the CFA	0000h
9	Obsolete	0000h
10-19	Serial number	ASCII
20	Retired	0000h
21	Retired	0000h
22	Obsolete	0000h
23-26	Firmware revision	ASCII
27-46	Model number	ASCII
47	READ/WRITE MULTIPLE commands function	8010h
48	Trusted Computing feature set options	4000h
49	Capabilities	2F00h
50	Capabilities	4000h
51-52	Obsolete	0000h
53	field validity	0007h
54	Number of cylinders in the current CHS translation	3FFh
55	Number of heads in the current CHS translation	0010h
56	Number of sectors per track in the current CHS translation	003Fh
57-58	Current capacity in sectors	00FBFC10h
59	Multiple sector setting	0110h
60-61	Total number of user addressable logical sectors for 28-bit commands	*3
62	Obsolete	0000h
63	Multiword DMA modes	0407h
64	PIO mode supported	0003h
65	Minimum Multiword DMA transfer cycle time per word	0078h
66	Manufacturer's recommended Multiword DMA transfer cycle time	0078h
67	Minimum PIO transfer cycle time without flow control	0078h
68	Minimum PIO transfer cycle time with IORDY flow control	0078h
69	Additional Supported	5F20h
70-73	Reserved	0000h
74	Reserved	0000h
75	Queue depth	001Fh
76	Serial ATA Capabilities	E70Eh
77	Supported Serial ATA Phy speed	0006/0004/0002h
78	Serial ATA features supported	054Ch
79	Serial ATA features enabled	0040h
80	Major version number	03F8h
81	Minor version number	0000h

Manual	3/9/2017
PSFEM2xxxGTxxx	Viking Technology
Revision J	Page 28 of 34

Word	ATA Identify Parameter	Value
82	Commands and feature sets supported	746Bh
83	Commands and feature sets supported	7D09h
84	Commands and feature sets supported	4163h
85	Commands and feature sets supported or enabled	7469h
86	Commands and feature sets supported or enabled	BC09h
87	Commands and feature sets supported or enabled	4163h
88	Ultra DMA modes	007Fh
89	Time required for Normal Erase mode SECURITY ERASE UNIT command	0001h
90	Time required for an Enhanced Erase mode SECURITY ERASE UNIT command	0001h
91	Current APM level value	00FEh
92	Master Password Identifier	FFFEh
93	Hardware reset result	0000h
94	Current AAM value	0000h
95	Stream Minimum Request Size	0000h
96	Streaming Transfer Time - DMA	0000h
97	Streaming Access Latency -DMA and PIO	0000h
98-99	Streaming Performance Granularity	0000h
100-103	Total Number of User Addressable Logical Sectors for 48-bit commands	*4
104	Streaming Transfer Time - PIO	0000h
105	Maximum number of 512-byte blocks of LBA Range Entries per DATA SET MANAGEMENT command	0008h
106	Physical sector size / logical sector size	4000h
107	Inter-seek delay for ISO 7999 standard acoustic testing	0000h
108-111	World wide name	Vendor Specific
112-115	Reserved	0000h
116	Reserved for TLC	0000h
117-118	Logical sector size	0000h
119	Commands and feature sets supported	401Ch
120	Commands and feature sets supported or enabled	401Ch
121-124	Reserved for expanded supported and enabled settings	0000h
125-126	Reserved for expanded supported and enabled settings	0000h
127	Obsolete	0000h
128	Security status	0021h
129-159	Vendor specific	0000h
160	CFA power mode	0000h
161-164	Reserved for the CFA	0000h

Manual	3/9/2017
PSFEM2xxxGTxxx	Viking Technology
Revision J	Page 29 of 34

Word	ATA Identify Parameter	Value
165-167	Reserved for the CFA	0000h
168	Device Nominal Form Factor	0003h
169	DATA SET MANAGEMENT is supported	0001h
170-173	Additional Product Identifier	0000h
174-175	Reserved	0000h
176-205	Current media serial number	0000h
206	SCT Command Transport	0039h
207-208	Reserved for CE-ATA	0000h
209	Alignment of logical blocks within a physical block	4000h
210-211	Write-Read-Verify Sector Count Mode 3	0000h
212-213	Write-Read-Verify Sector Count Mode 2	0000h
214	NV Cache Capabilities	0000h
215-216	NV Cache Size in Logical Blocks	0000h
217	Nominal media rotation rate	0001h
218	Reserved	0000h
219	NV Cache Options	0000h
220	Current mode of the Write-Read-Verify feature set	0000h
221	Reserved	0000h
222	Transport major version number	107Fh
223	Transport minor version number	0000h
224-227	Reserved for CE-ATA	0000h
228-229	Reserved for CE-ATA	0000h
230-233	Extend Number of User Addressable Sectors	0000h
234	Minimum number of 512-byte data blocks per DOWNLOAD MICROCODE command for mode 03h	0001h
235	Maximum number of 512-byte data blocks per DOWNLOAD MICROCODE command for mode 03h	FFFFh
236-239	Reserved	0000h
240-242	Reserved	0000h
243	Security feature 4000 : Self Encrypting Drive	4000h
244-247	Reserved	0000h
248-251	Reserved	0000h
252-254	Reserved	0000h
255	Integrity word	xxA5h

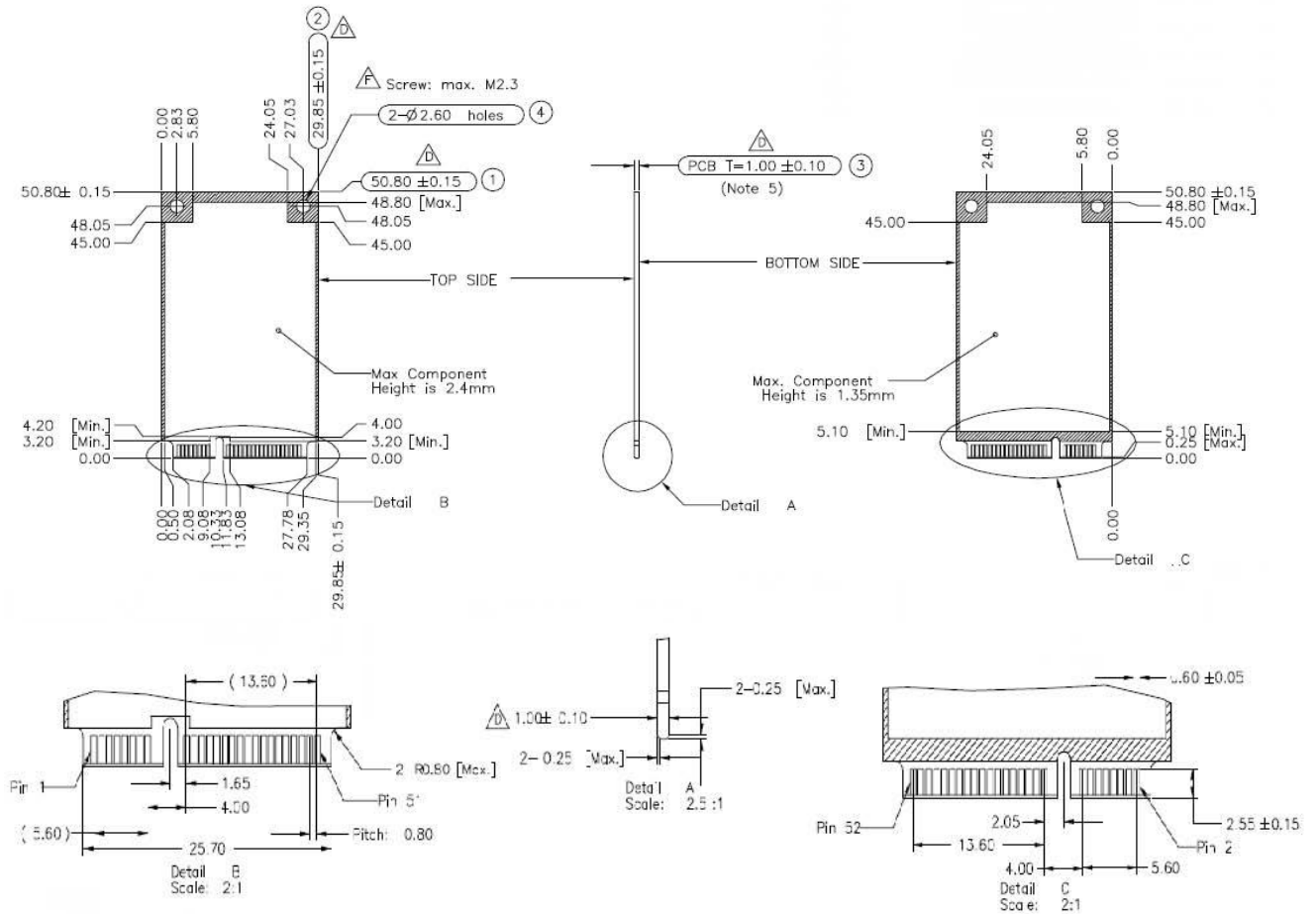
Table 6-3: List of Device Identification for Each Capacity

Capacity (GB)	*1 (Word 1 - 54)	*2 (Word 57 - 58)	*3 (Word 60 - 61)	*4 (Word 100 - 101)
120	3FFFh	FBFC10h	DF94BB0h	DF94BB0h
240	3FFFh	FBFC10h	FFFFFFFFh	1BF244B0h
480	3FFFh	FBFC10h	FFFFFFFFh	37E436B0h

7 PHYSICAL DIMENSION

Dimension: 50.8mm (L) x 29.85mm (W) x 4mm (H)

Figure 7-1: PHYSICAL DIMENSION



- Notes :**
- 1. = Max Component Height is
 - 2. = No Component
 - 3. = No Component / Signal Vias / Signal Copper/Print
 - 4. General Tolerance : ±0.1mm
 - 5. Card Thickness applies across tab and includes plating and/or metalization
 - 6. Check Point: ① ~ ④
 - 7. Screw Max. Size M2.3

DIM	COMMON TOLERANCE			Finish	
	CLASS	A	(B)	Material	Angles
L≤3	±0.05	±0.10	±0.20	Scale: 1/1	Unit: mm
3<L≤6	±0.05	±0.10	±0.20	Drawing by	Otto_Lian
6<L≤16	±0.10	±0.15	±0.30	Approval	Tom
16<L≤30	±0.10	±0.15	±0.30	Date	2014/11/03
30<L≤120	±0.15	±0.20	±0.50	Size: A4	Rev.F
120<L≤315	±0.20	±0.50	±0.80		Page 1/1

8 REFERENCES

The following table is to list out the standards that have been adopted for designing the product.

Table 8-1: **List of References**

Title	Acronym/Source
RoHS	Restriction of Hazardous Substances Directive; for further information, please contact Viking
mSATA	http://www.jedec.org
Serial ATA Revision 3.1	http://www.sata-io.org
ATA-8 spec	http://www.t13.org
FCC: CISPR22	Federal Communications Commission; for further information, please contact Viking
CE: EN55022	Consumer electronics certification; for further information, please contact Viking
BSMI: 13438	The Bureau of Standards, Metrology and Inspection; for further information, please contact Viking

Manual	3/9/2017
PSFEM2xxxGTxxx	Viking Technology
Revision J	Page 33 of 34

9 TERMINOLOGY

The following table is to list out the acronyms that have been applied throughout the document.

Table 9-1: **List of Terminology**

Term	Definitions
ATTO	Commercial performance benchmark application
DEVSLP	Device sleep mode
DIPM	Device initiated power management
HIPM	Host initiated power management
LBA	Logical block addressing
MB	Mega-byte
MTBF	Mean time between failures
NCQ	Native command queue
SATA	Serial advanced technology attachment
SDR	Synchronous dynamic access memory
SED	Self Encrypting Drive
S.M.A.R.T.	Self-monitoring, analysis and reporting technology
SSD	Solid state disk

Manual	3/9/2017
PSFEM2xxxGTxxx	Viking Technology
Revision J	Page 34 of 34