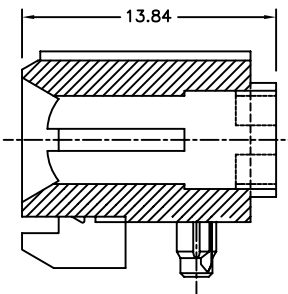
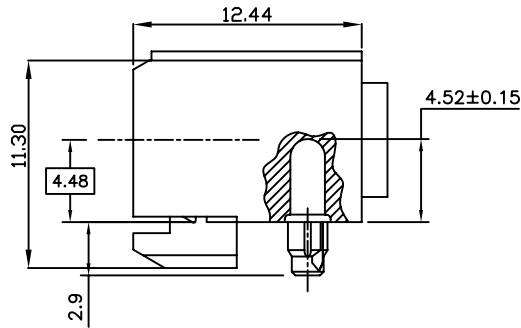
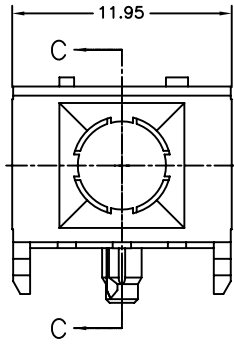
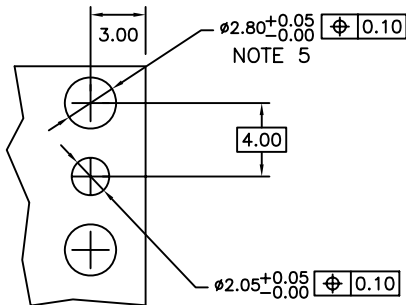
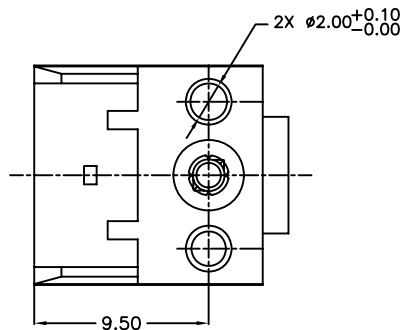


PRODUCT NO.
10022089-101
10022089-101LF



SECTION C-C



RECOMMENDED PC BOARD LAYOUT (COMPONENT SIDE)

NOTES:

- MATERIAL: LIQUID CRYSTAL POLYMER 30% GLASS
FLAME RETARDANT ACC. UL 94-V0
COLOR NATURAL.
- HOUSING TO BE MOUNTED TO THE PCB USING NO.3 DIAMETER SELF-TAPPING SCREWS.
- HOUSING IS TO BE USED WITH WALL-LESS HEADER HOUSING, P/N 63735-101, TO AVOID INTERFERENCE W/ MOUNTING SCREWS.
- PRODUCT MAY NOT BE STACKABLE DEPENDING UPON THE HEAD SIZE OF THE MOUNTING SCREW USED.
- FOR LEAD FREE NUMBERS, ADD AN 'LF' SUFFIX. PART NUMBERS THAT DO NOT END IN 'LF' ARE LEAD FREE. EXAMPLE: 10022089-101LF
- THE PRODUCTS WHERE THE PART NUMBER ENDS IN LF AND THE NONE LF PART NUMBERS MEET THE EUROPEAN UNION DIRECTIVES AND OTHER COUNTRY REGULATIONS AS DESCRIBED IN GS-22-008.
- ALL PRODUCTS WILL WITHSTAND EXPOSURE TO 260°C FOR 60 SECONDS IN A CONVECTION, INFRA-RED OR VAPOUR PHASE REFLOW OVEN.

mat'l. code		surface		tolerance		projection		product family	
SEE NOTES		ASME Y14.5		ASME Y14.5		MM		METRAL (tm)	
ltr	ec'n no	dr	date	tolerances unless otherwise specified		MM		title	
A	V04-0030	HTB	01/13/04	angles	X*3	1:1		R/A FEMALE HSG.	
B	V06-0077	JRV	3/14/06	fil	XX*1B	1:1		HYBRID 12mm PRESS PEG	
C	V06-0748	JRV	2006-08-07	0'±2'	XXX*051	1:1		dwg no	
				dr	T. BRUNGARD	7/25/03		sheet 1 of 1	
				engr	M. GRAY	7/25/03		size	
				chr	M. GRAY	7/25/03		10022089	
				appd	M. GRAY	7/25/03		A4	
sheet	revision	c						type	
index	sheet	1						CUSTOMER Drawing	