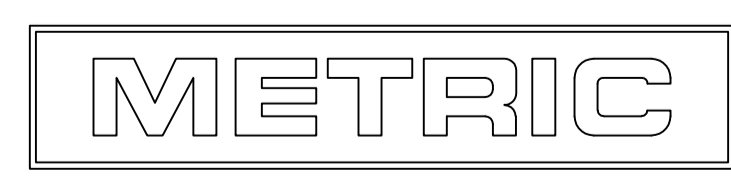
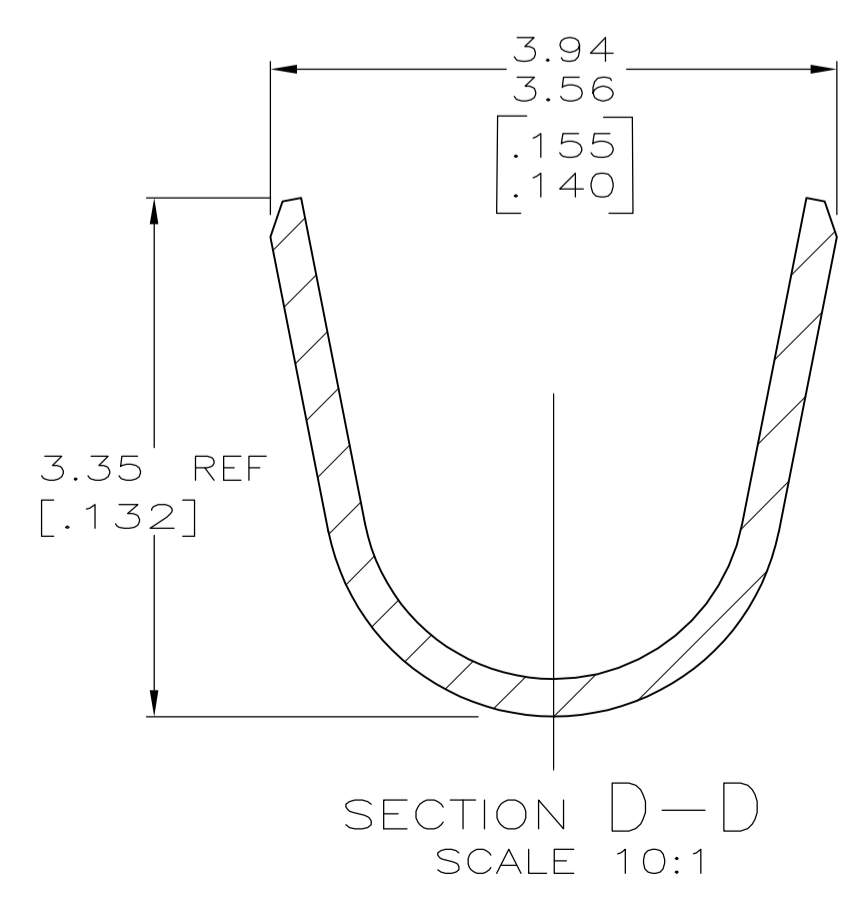
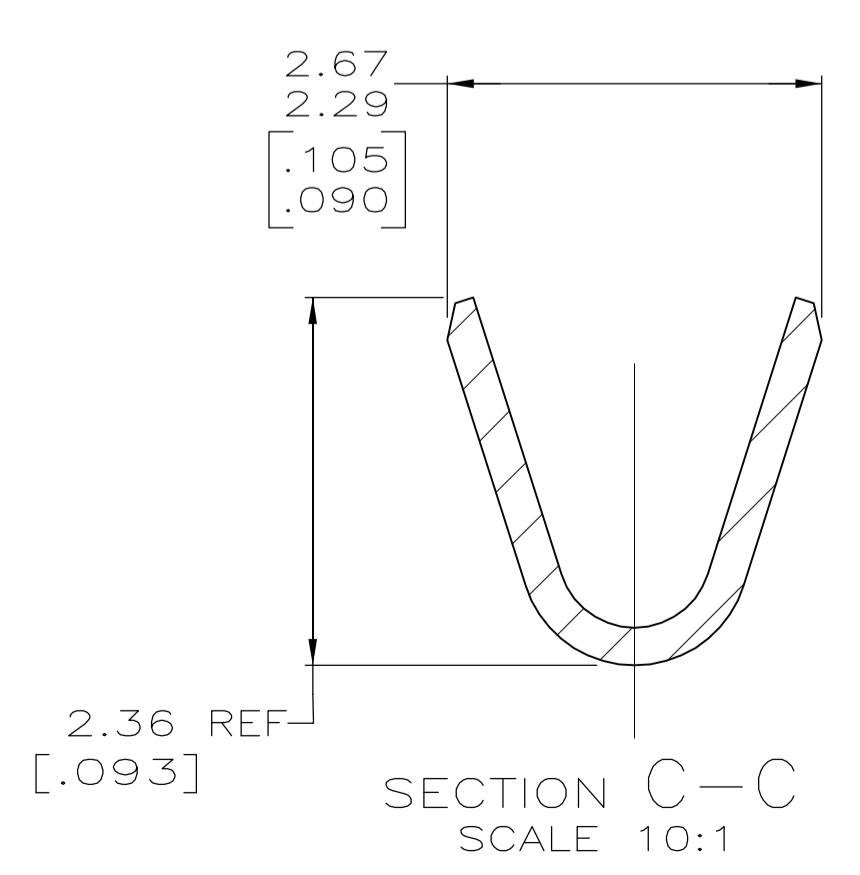
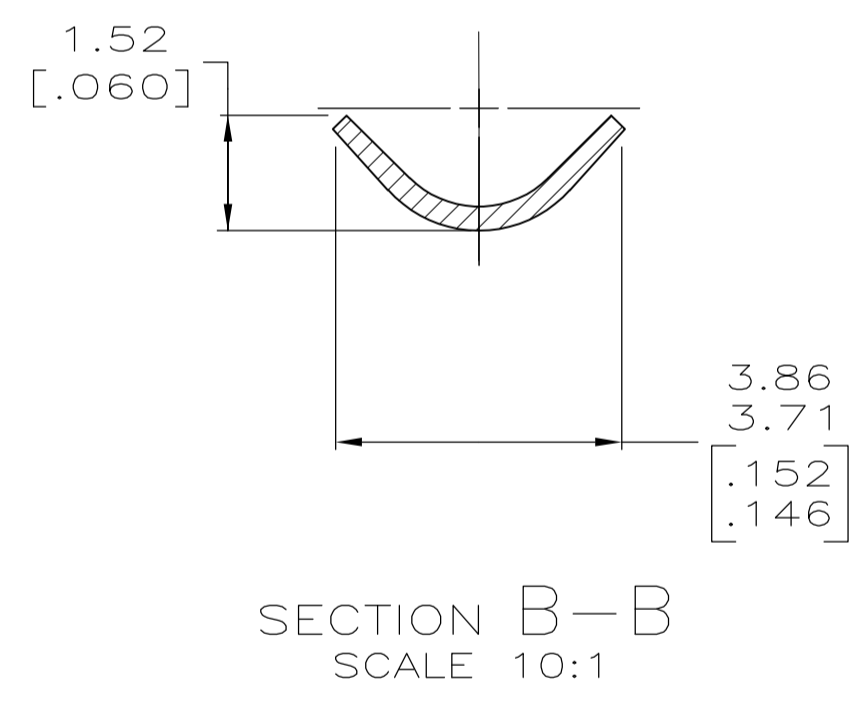
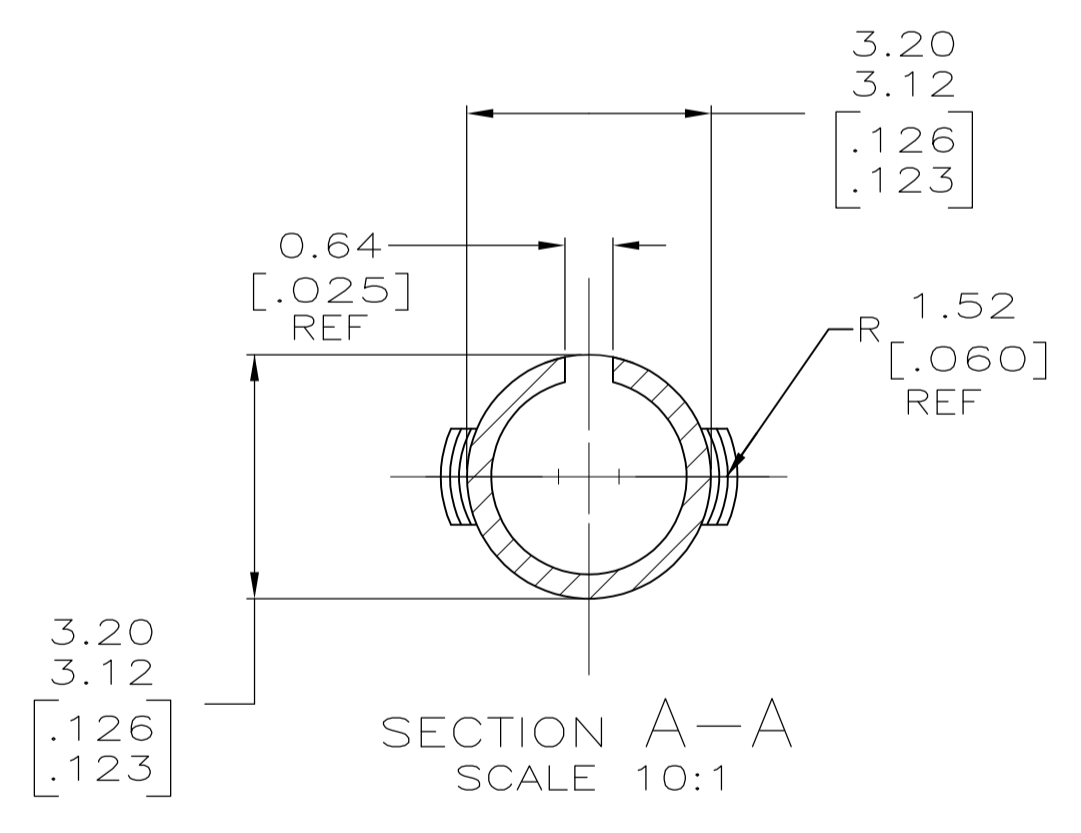
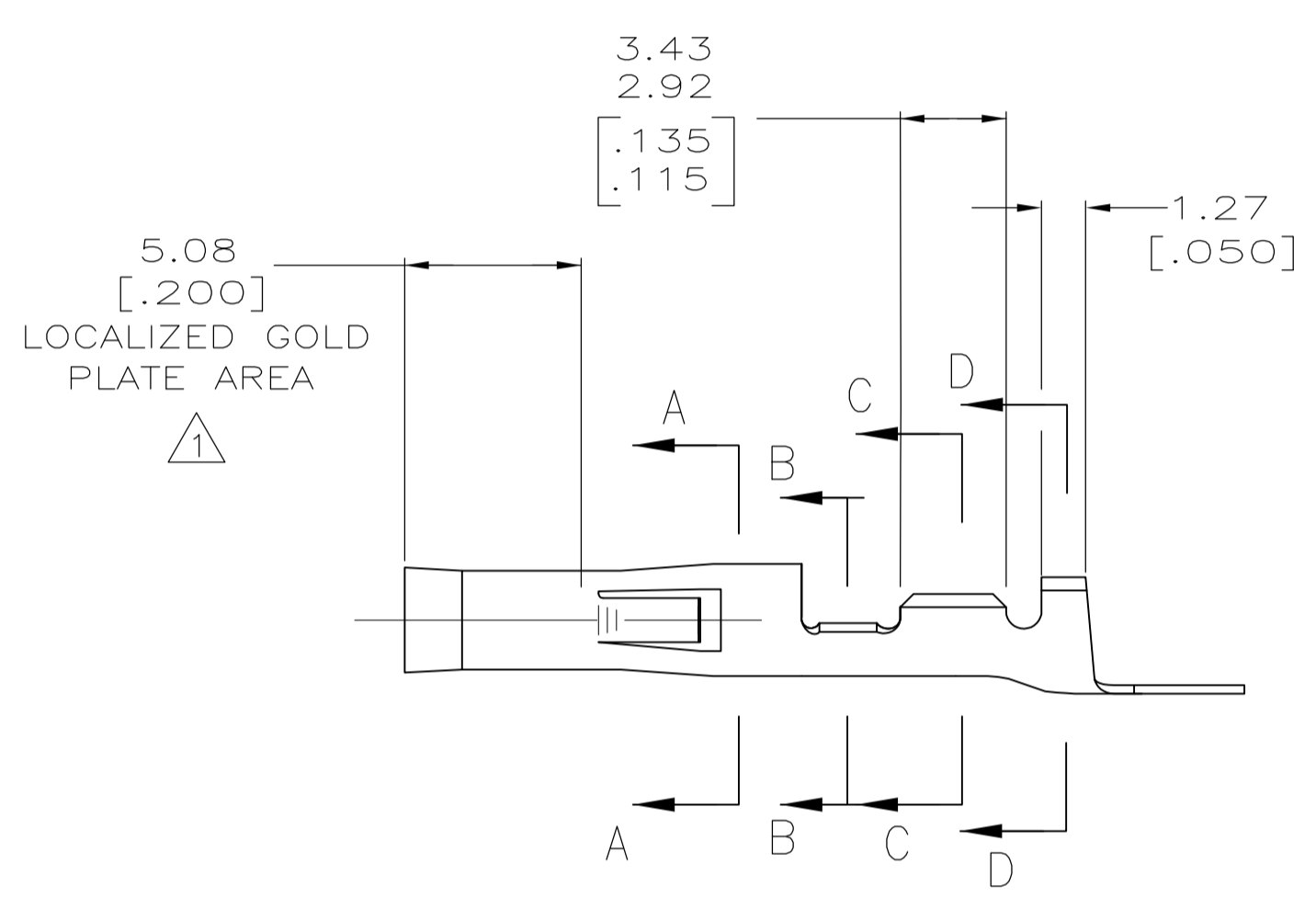
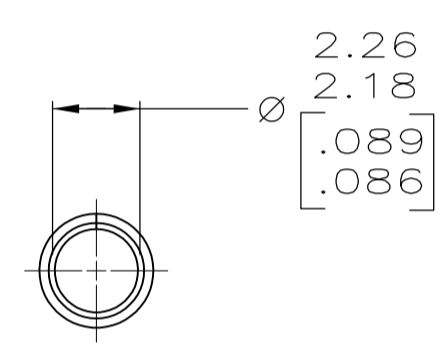


- 1 0.000762 [.000030] MIN GOLD IN LOCALIZED GOLD PLATE AREA OVER 0.00127 [.000050] MIN NICKEL.
- 2 WIRE RANGE: 0.3 - 0.84mm<sup>2</sup> (24-18 AWG).
- 3 INSULATION RANGE: 2.79 [.110] MAX. DIA.
- 4 DIMENSIONS IN BRACKETS ARE IN INCHES.



|             |                   |          |
|-------------|-------------------|----------|
| GOLD STRIPE | 0.25 [.010] BRASS | 350417-5 |
| ⚠           | 0.25 [.010] BRASS | 350417-3 |
| PRE-TIN     | 0.25 [.010] BRASS | 350417-1 |
| FINISH      | MATERIAL          | PART NO  |

|  |  |                           |  |                           |  |
|--|--|---------------------------|--|---------------------------|--|
| THIS DRAWING IS A CONTROLLED DOCUMENT. |  | DIN K. WHITAKER 22NOV2005 |  | TE Connectivity           |  |
| DIMENSIONS: mm [INCHES]                |  | CHK D. COLEY 22NOV2005    |  |                           |  |
| TOLERANCES UNLESS OTHERWISE SPECIFIED: |  | APVD D. COLEY 22NOV2005   |  | NAME .093 SOCKET          |  |
| 0 PLC ± -                              |  | PRODUCT SPEC              |  | COMMERCIAL PIN AND SOCKET |  |
| 1 PLC ± -                              |  | APPLICATION SPEC          |  | -                         |  |
| 2 PLC ± -                              |  | SIZE                      |  | A1                        |  |
| 3 PLC ± 0.13 [.005]                    |  | CAGE CODE                 |  | 00779                     |  |
| 4 PLC ± -                              |  | DRAWING NO                |  | C=350417                  |  |
| ANGLES ± 0°30'                         |  | WEIGHT                    |  | -                         |  |
| MATERIAL SEE TABLE                     |  | FINISH SEE TABLE          |  | CUSTOMER DRAWING          |  |
|  |  | SCALE                     |  | 5:1                       |  |
|  |  | SHEET                     |  | 1 of 1                    |  |
|  |  | REV                       |  | AP2                       |  |