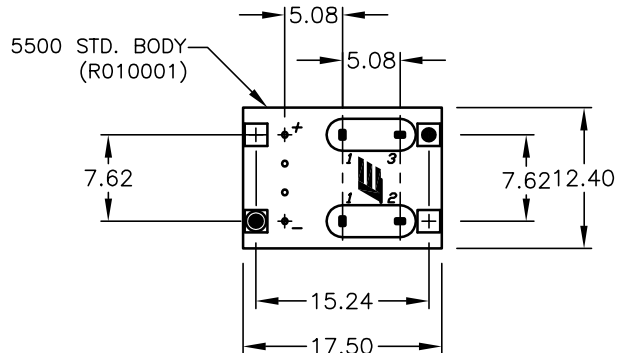
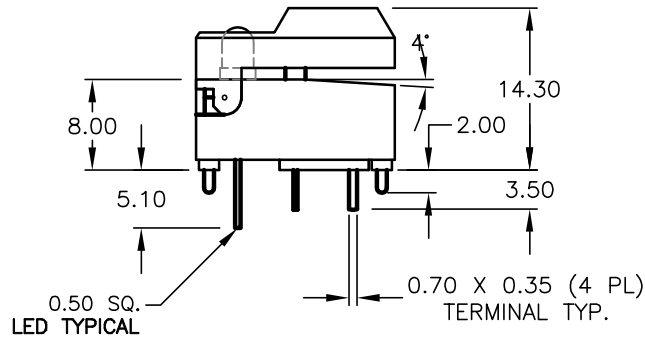
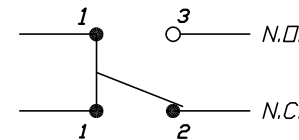


RECOMMENDED P.C.B. LAYOUT



LED SPECIFICATION	SYMBOL	GRN L.E.D		TYP.	UNITS
		MAX.	MIN.		
POWER DISSIPATION	$P_D$	100	--		mW
FORWARD VOLTAGE	$V_F$	2.8	1.9	2.2	V
REVERSE VOLTAGE	$V_R$	5			V
EMISSION WAVELENGTH	$\lambda_P$			570	nm
AVE. FORWARD CURRENT	$I_{AF}$	30	--		mA
REVERSE CURRENT	$I_R$	100	--		$\mu A$
LUMINOUS INTENSITY	$I_v$		6.0	15.0	mcd



CIRCUIT: SPDT  
CONTACT CONFIGURATION

NOTES:

1. ALL DIMENSIONS IN MM
2. GENERAL TOLERANCE:  $X.X = \pm 0.4$   
 $X.XX = \pm 0.25$
3. TERM. NO. FOR REF. ONLY
4. RATING: 12mA @24V
5. FIXED CONTACT/MOVING CONTACT:  
COPPER ALLOY W/GOLD PLATE
6. CONTACT BOUNCE: <5m SEC.
7. CONTACT RESISTANCE: <50milli-OHMS
8. TRAVEL:  $2.5 \pm 0.2$ mm

**E-SWITCH®**

A	13575	RELEASED FOR PRODUCTION	11/4/03	AR
REV.	ECN No.	DESCRIPTION	DATE	CHKD

TITLE		5501MGRNGRN			
SCALE	DATE	DR	DWG	REV	
1.5:1	11/4/03	AR	XR0231P	A	

THE INFORMATION CONTAINED IN THIS DOCUMENT IS PROPRIETARY TO E-SWITCH AND IS NOT TO BE COPIED OR TRANSFERRED