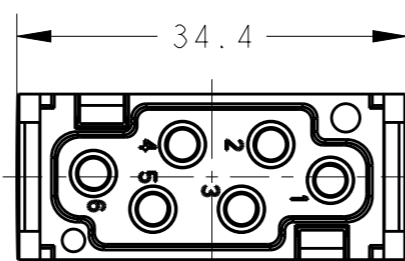
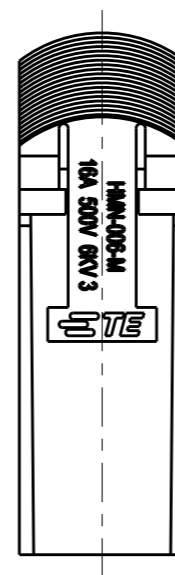
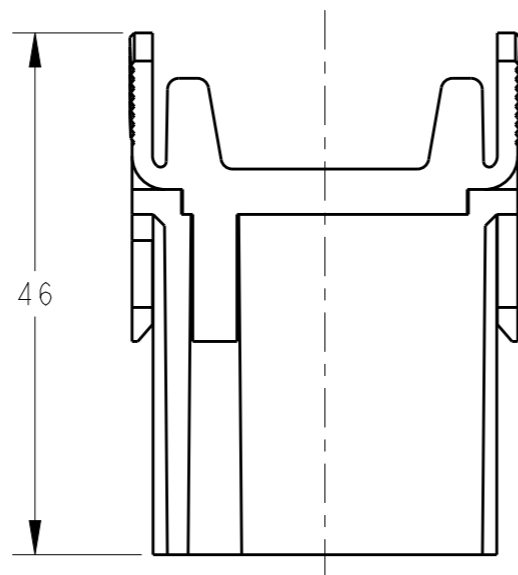
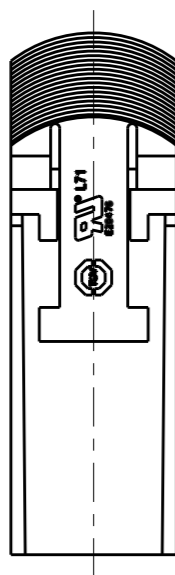
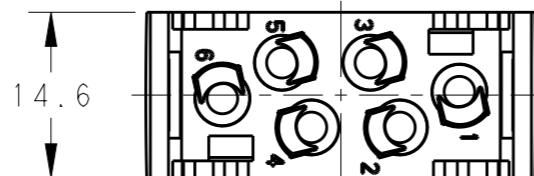
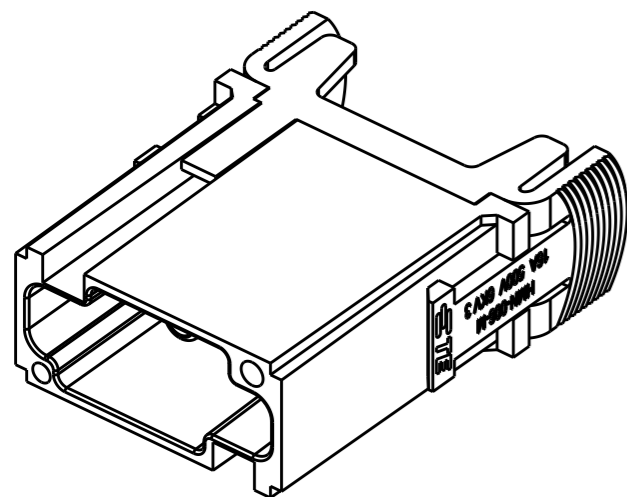


THIS DRAWING IS UNPUBLISHED. RELEASED FOR PUBLICATION 20  
 © COPYRIGHT 20 BY - ALL RIGHTS RESERVED.

REVISIONS

P	LTR	DESCRIPTION	DATE	DWN	APVD
	A	INITIAL	15APR2015	DW	CW
	B	ECR-15-018270	09DEC2015	DW	CW
	B1	ECR-16-018198	28DEC2016	QY	CW




NOTES:

- TECHNICAL CHARACTERISTICS:  
 INSULATION MATERIAL: PC  
 RATED VOLTAGE: 500V  
 RATED CURRENT: 16A  
 INSULATION RESISTANCE:  $\geq 400M\Omega$   
 RATED IMPULSE VOLTAGE: 6KV  
 POLLUTION DEGREE: 3  
 CONTACT RESISTANCE:  $\leq 5m\Omega$   
 FLAMMABILITY: UL94V-0  
 MATING CYCLES: 500 CYCLES  
 WIRE RANGE: 0.14~4 mm<sup>2</sup> (26~12 AWG)  
 CONTACT TYPE: CRIMP CONTACT
- CONTACT NEED TO BE ORDERED SEPARATELY.  
 (ORDER No. REFER TO DRAWING: T20300X10XX000)

注释:

- 技术参数:  
 绝缘材料: PC  
 额定电压: 500V  
 额定电流: 16A  
 绝缘电阻:  $\geq 400M\Omega$   
 额定脉冲电压: 6KV  
 污染等级: 3  
 接触电阻:  $\leq 5m\Omega$   
 阻燃等级: UL94V-0  
 插拔次数: 500次  
 接线范围: 0.14~4 mm<sup>2</sup> (26~12 AWG)  
 接线类型: 冷压接
- 端子需要单独订购。  
 (订货号参考图面: T20300X10XX000)

TYPE-1:T2111062101-000 TE LOGO  
 类型-1:T2111062101-000 TE LOGO

THIS DRAWING IS A CONTROLLED DOCUMENT.		DWN 15APR2015 David Wang	 TE Connectivity		
		CHK 15APR2015 Chris Wang			
		APVD 15APR2015 Xiang Xu	NAME HMN-006-M		
DIMENSIONS: mm		PRODUCT SPEC 108-137120	RESTRICTED TO		
TOLERANCES UNLESS OTHERWISE SPECIFIED: 0 PLC ±- 1 PLC ±- 2 PLC ±- 3 PLC ±- 4 PLC ±- ANGLES ±-		APPLICATION SPEC 114-137120	SIZE A3	CAGE CODE 00779	DRAWING NO T2111062101000
MATERIAL -		WEIGHT -	SCALE 3:2		
		Customer Drawing		SHEET 1 OF 2	
				REV B1	

4

3

2

1

THIS DRAWING IS UNPUBLISHED.

RELEASED FOR PUBLICATION

20

© COPYRIGHT 20

BY -

ALL RIGHTS RESERVED.

REVISIONS

P	LTR	DESCRIPTION	DATE	DWN	APVD
	-	SEE SHEET 1	-	-	-

NOTES:  
SEE SHEET 1  
注释:  
见页 1

TYPE-2:T2111062101-001 NO LOGO  
类型-2:T2111062101-001 无LOGO

ALL DIMENSIONS ARE SAME AS TYPE 1,  
EXCEPT THOSE DEFINED IN THIS TYPE.  
除了在本类型中定义的尺寸外, 其它尺寸同类型 1

T2111062101-001	HMN-006-M	HMN-006 MALE MODULE INSERT, NO LOGO HMN-006 模块公插, 无LOGO	TYPE-2 类型-2
T2111062101-000	HMN-006-M	HMN-006 MALE MODULE INSERT HMN-006 模块公插	TYPE-1 类型-1
PART NUMBER 料号	PART DESCRIPTION 描述		TYPE 类型

THIS DRAWING IS A CONTROLLED DOCUMENT.		DWN David Wang 15APR2015		
DIMENSIONS: mm		CHK Chris Wang 15APR2015		
TOLERANCES UNLESS OTHERWISE SPECIFIED:		APVD Xiang Xu 15APR2015	NAME HMN-006-M	
0 PLC ±-		PRODUCT SPEC 108-137120	SIZE A3	
1 PLC ±-		APPLICATION SPEC 114-137120	CAGE CODE 00779	DRAWING NO T2111062101000
2 PLC ±-		WEIGHT -	RESTRICTED TO -	
3 PLC ±-		Customer Drawing		
4 PLC ±-		SCALE 3:2		
ANGLES ±-		SHEET 2 OF 2		
FINISH -		REV B1		

1470-19 (3/13)