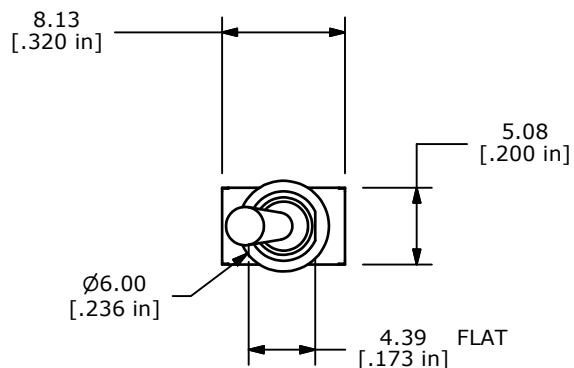
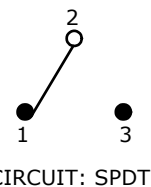
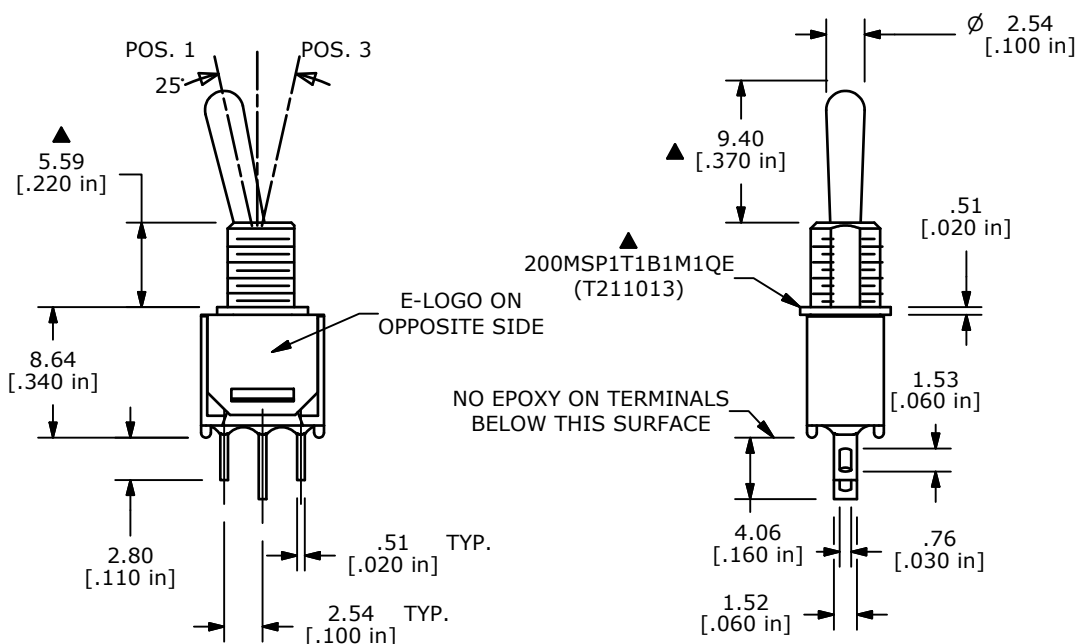
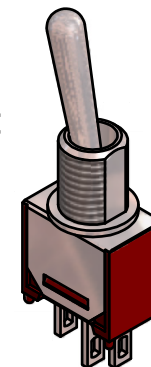


SWITCH FUNCTION		
POS. 1	POS. 2	POS. 3
ON	NONE	ON
2-3	OPEN	2-1



ISOMETRIC



- NOTE:
1. ALL DIMENSIONS IN MM [INCH]
  2. GENERAL TOLERANCE: X.X=±0.4  
X.XX=±0.25
  3. TERMINAL NUMBERS FOR REF ONLY
  4. PLATING MATERIAL: SILVER
  5. RATING: 3 AMPS @ 120VAC OR 28VDC UL, CUL  
1 AMPS @ 250VAC UL, CUL
  6. ELECTRIC LIFE: 30,000 MAKE-AND-BREAK CYCLES AT FULL LOAD.
  7. INSULATION RESISTANCE: 1,000 MEGA-OHM MIN.
  8. DIELECTRIC STRENGTH: 1,000 V RMS @SEA LEVEL.
  9. OPERATING TEMP.: -30°C to 85°C
  10. HARDWARE TO BE SHIPPED BULK  
T200001 - HEXNUT - QTY 2  
T200000 - LOCKWASHER - QTY 1  
T200002 - LOCKRING - QTY 1
  11. ▲ DENOTES CRITICAL PARAMETER.

C	19137	CHANGE LOCK RING FROM T100002	6/11/10	BLR
B	15590	CHANGE HEX NUT FROM T200015	12/6/05	PH
A	14747	RELEASED FOR PRODUCTION	3/18/05	AR
REV	PCR NO	DESCRIPTION	DATE	BY



TITLE 200MSP1T1B1M1QEH				
SCALE 2:1	DATE 6/11/2010	DR BLR	DWG ST211013	REV C

THE INFORMATION CONTAINED IN THIS DOCUMENT IS PROPRIETARY TO E-SWITCH AND IS NOT TO BE COPIED OR TRANSFERRED