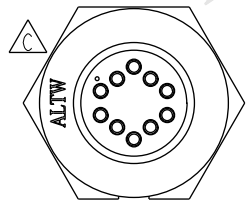
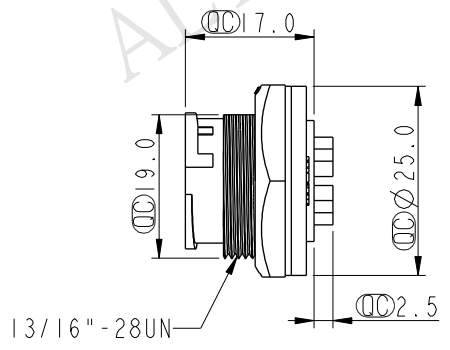
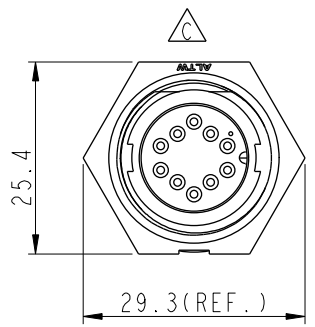
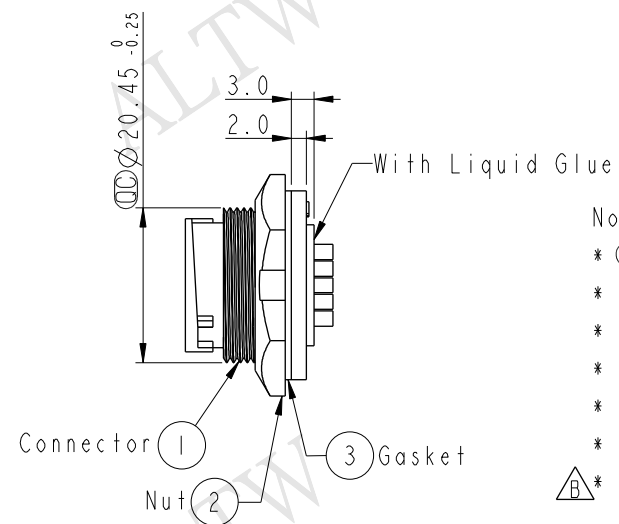


REV.	ECN NO.	DATE	SIGN	DESCRIPTION
B	LEN-8B0078	2008/09/25	Shin	Add Note
C	LEN1630054	2016/02/22	Kaven	Update Logo

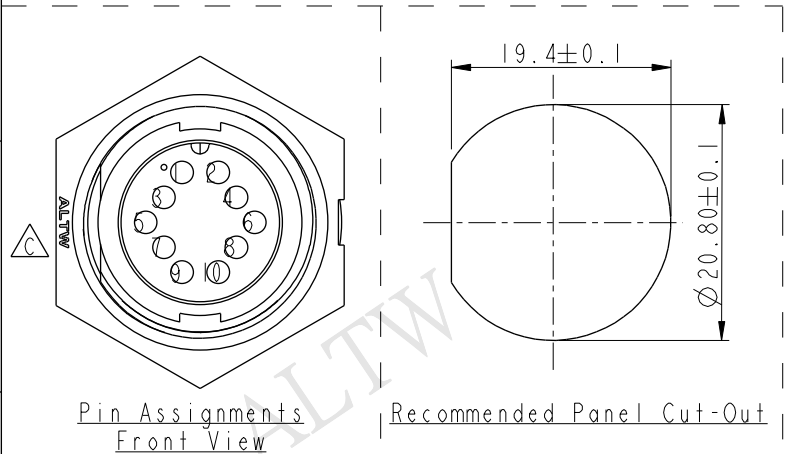
ALTW
CONFIDENTIAL
2016-02-22
R&D DEPT.



ALTW
DCC. DEPT.
CONFIDENTIAL
2016.03.07
ISSUED



- Notes:
- * \varnothing Important Dimension To Check.
 - * Waterproof Rate: IP67
 - * Housing: Black, Nylon+GF
 - * Pin: Copper Alloy, Gold Plated
 - * Nut: Nylon+GF
 - * Gasket: EPDM
 - $\triangle B$ * Use with waterproof cap or dust cap
Panel Thickness Max: 3.0mm
 - $\triangle B$ * Use without waterproof cap or dust cap
Panel Thickness Max: 4.0mm



UNIT:mm		TITLE Middle Panel Lock 10Pin M Conn M Pin
TOLERANCE .X ±0.25 .XX ±0.1 .XXX ±0.05 ANGLES ±1°	SCALE 1:1	SIZE A4
	REV. C	SHEET 1 OF 1
	WC-REV. A.2	\varnothing : Inspection item

Amphenol LTW
安費諾亮泰企業股份有限公司

ITEM NO. CD-10PMMS-LC7001	DRAWN BY Kaven	DATE 2016-02-22
DWG NO. CD-10PMMS-LC7001	CHECKED BY Doreen	DATE 2016-02-22
CUSTOMER ALTW	APPROVED BY Lisa	DATE 2016-02-22

THIS DOCUMENT IS SUBJECT TO CHANGE WITHOUT NOTICE. IT IS CONFIDENTIAL AND A PROPERTY OF AMPHENOL LTW. DISCLOSURE TO THIRD PARTY HAS TO BE AUTHORIZED BY AMPHENOL LTW.