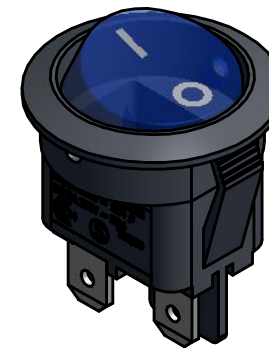
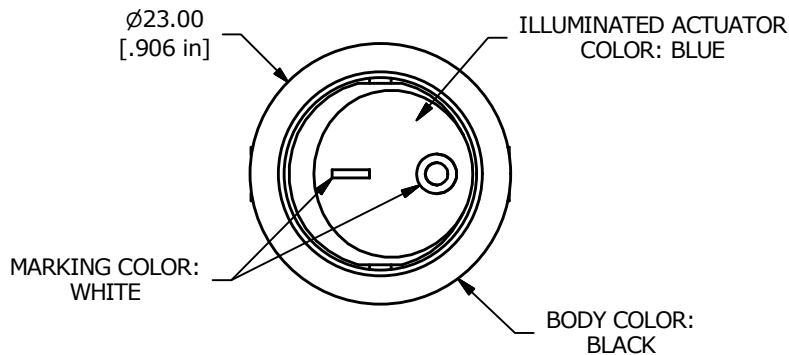


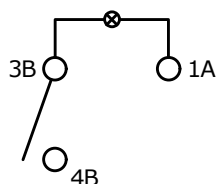
▲ PANEL CUTOUT

PANEL THICKNESS	(X) DIM.
0.75 TO 1.25	20.2mm
1.25 TO 2.00	20.4mm
2.00 TO 3.00	20.6mm



▲ SWITCH FUNCTION

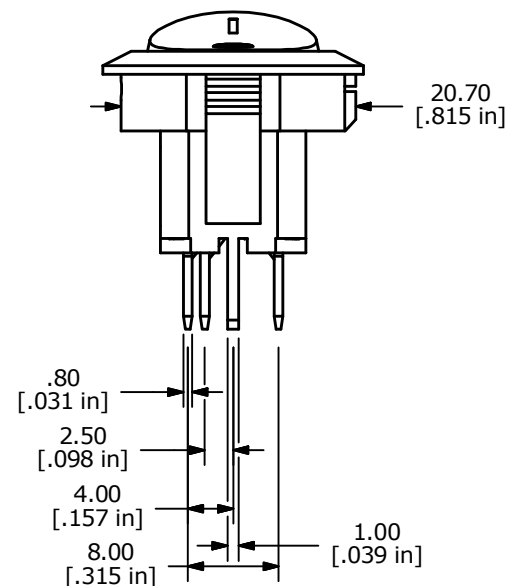
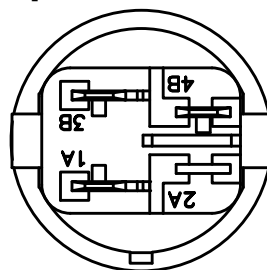
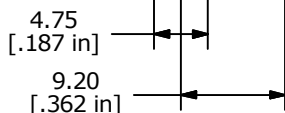
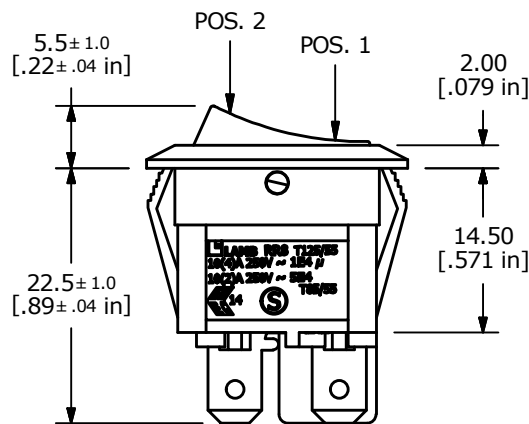
POS. 1	POS. 2
OFF	ON
OPEN	3B-4B



CIRCUIT: SPST
FUNCTIONS
▲ OFF - ON

NOTE:

- DIMENSIONS IN MM [INCH]
- GENERAL TOLERANCE: X.X = ± 0.4
X.XX = ± 0.25
- TERMINAL NUMBERS FOR REF ONLY
- CONTACT MATERIAL: SILVER
- CONTACT RATING: 16A @ 125VAC [UL, cUL]
10A @ 250VAC [UL, cUL]
1/3HP 125/250VAC [UL, cUL]
10(4)A 250V~ μ 1E4 T125/55 [VDE]
10(2)A 250V~ μ 5E4 T85/55 [VDE]
- CONTACT RESISTANCE: 35mΩ MAX. @ 50VAC
- INSULATION RESISTANCE: 100MΩ MIN. @ 500VAC
- DIELECTRIC STRENGTH: 1,500VAC FOR 1 MINUTE
- ELECTRICAL LIFE: 6,000 CYCLES [UR, cUR]
10,000 CYCLES [ENEC14, SEMKO: 10(4)A 250V~]
- OPERATING TEMPERATURE: -20°C TO 105°C [UR, cUR]
-20°C TO 125°C [ENEC14, SEMKO]
- ▲ DENOTES CRITICAL PARAMETER
- 2011/65/EU (ROHS) COMPLIANT
- ▲ LENS COLOR, BLUE
- ▲ LAMP VOLTAGE, 125V



REV	PCR NO	DESCRIPTION	DATE	BY
D	22400	ADDED BOTTOM VIEW	7/20/16	MJR
C	20519	RELEASE FOR PRODUCTION	3/7/12	MM

TITLE RR811C1021-146				
SCALE 3:2	DATE 3/7/2012	DR BGL	DWG 38-RR811C1021146	REV D