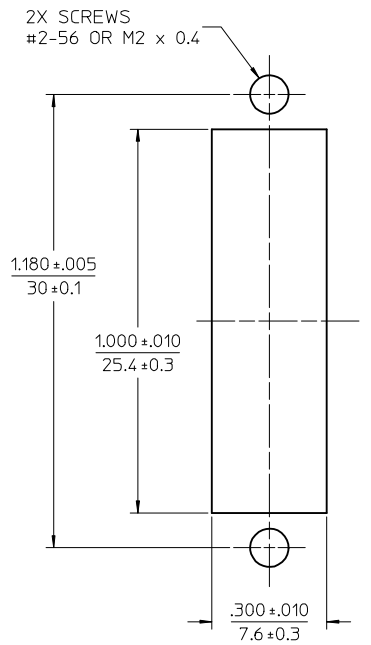
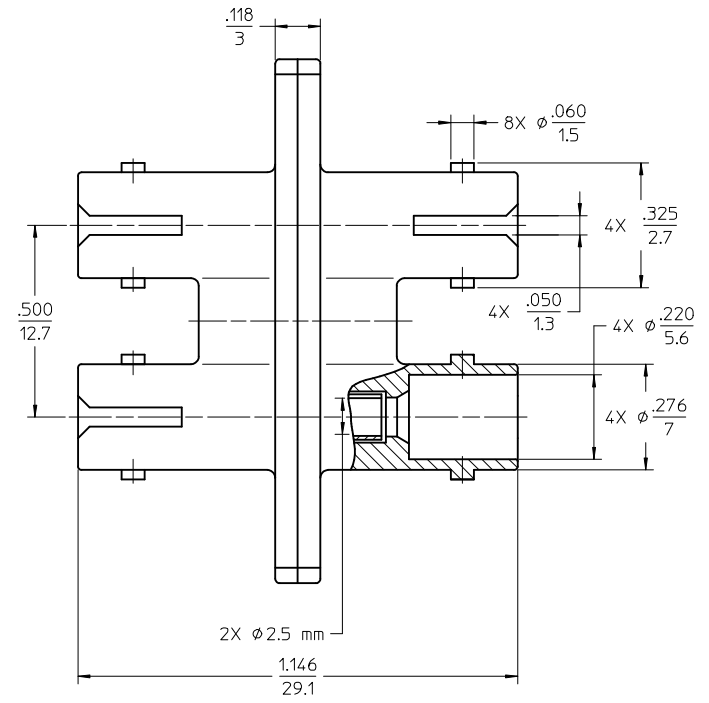
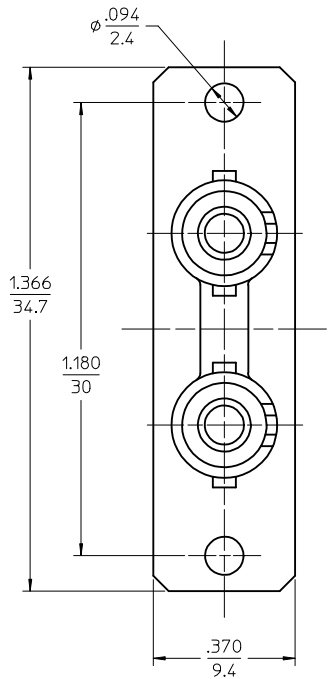


ADAPTER P/N	SLEEVE MATERIAL	ADAPTER COLOR
106166-2000	Zr CERAMIC	BLUE
106166-2010	Zr CERAMIC	BEIGE



RECOMMENDED MOUNTING PATTERN



NOTE:  
DUST CAPS ARE NOT SHOWN BUT INCLUDED.

<b>ENTER DESCRIPTION</b> EC NO: MF2009-0217 DRWN: IGUMIN 2008/11/07 CHKD: 2008/11/07 APPR: IGUMIN 2008/11/10 REV: A	<b>QUALITY SYMBOLS</b> ▼=0 ▽=0	<b>GENERAL TOLERANCES (UNLESS SPECIFIED)</b>		DIMENSION STYLE <b>IN/MM</b>	SCALE <b>4:1</b>	DESIGN UNITS <b>INCH</b>	THIRD ANGLE PROJECTION			
		4 PLACES ± --- ± ---	3 PLACES ± --- ± ---	2 PLACES ± --- ± ---	1 PLACE ± --- ± ---	DRAWN BY IGUMIN	DATE 2008/11/06	<b>ST DUPLEX ADAPTER</b>		
		ANGULAR ±1/2°				CHECKED BY	DATE	APPROVED BY IGUMIN		DATE 2008/11/06
		DRAFT WHERE APPLICABLE MUST REMAIN WITHIN DIMENSIONS		MATERIAL NO. <b>SEE TABLE</b>	DOCUMENT NO. <b>SD-106166-20X0</b>	MOLEX INCORPORATED		SHEET NO. 1 OF 01		

THIS DRAWING CONTAINS INFORMATION THAT IS PROPRIETARY TO MOLEX INCORPORATED AND SHOULD NOT BE USED WITHOUT WRITTEN PERMISSION