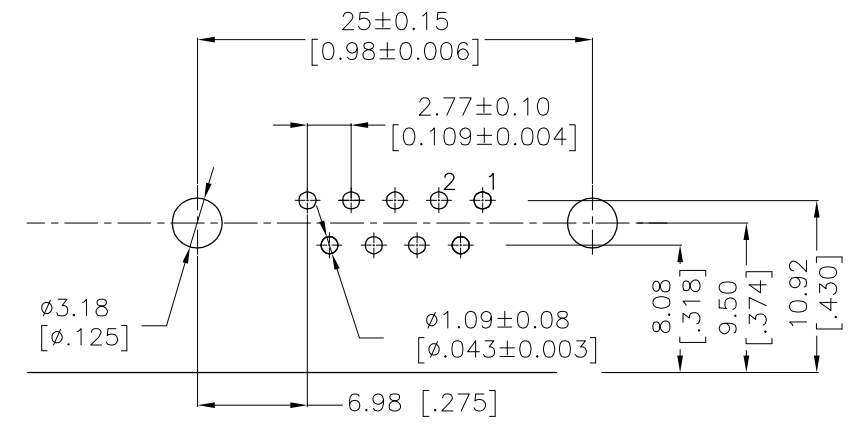


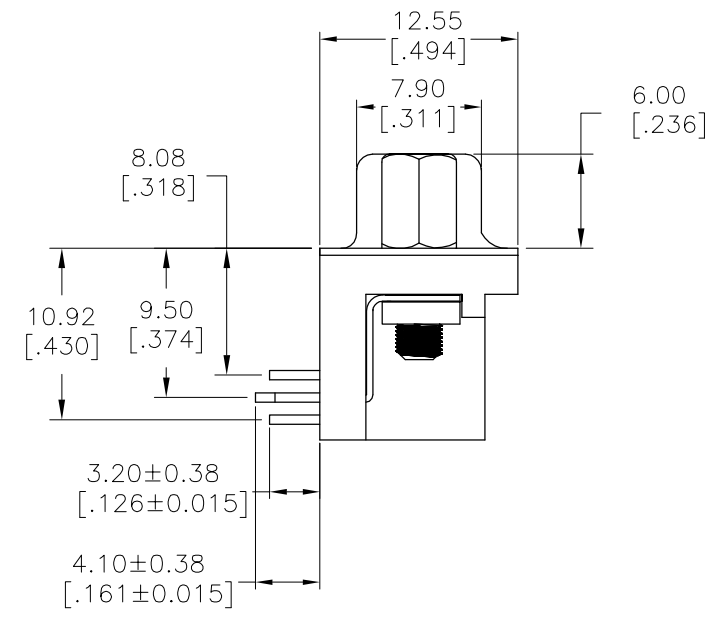
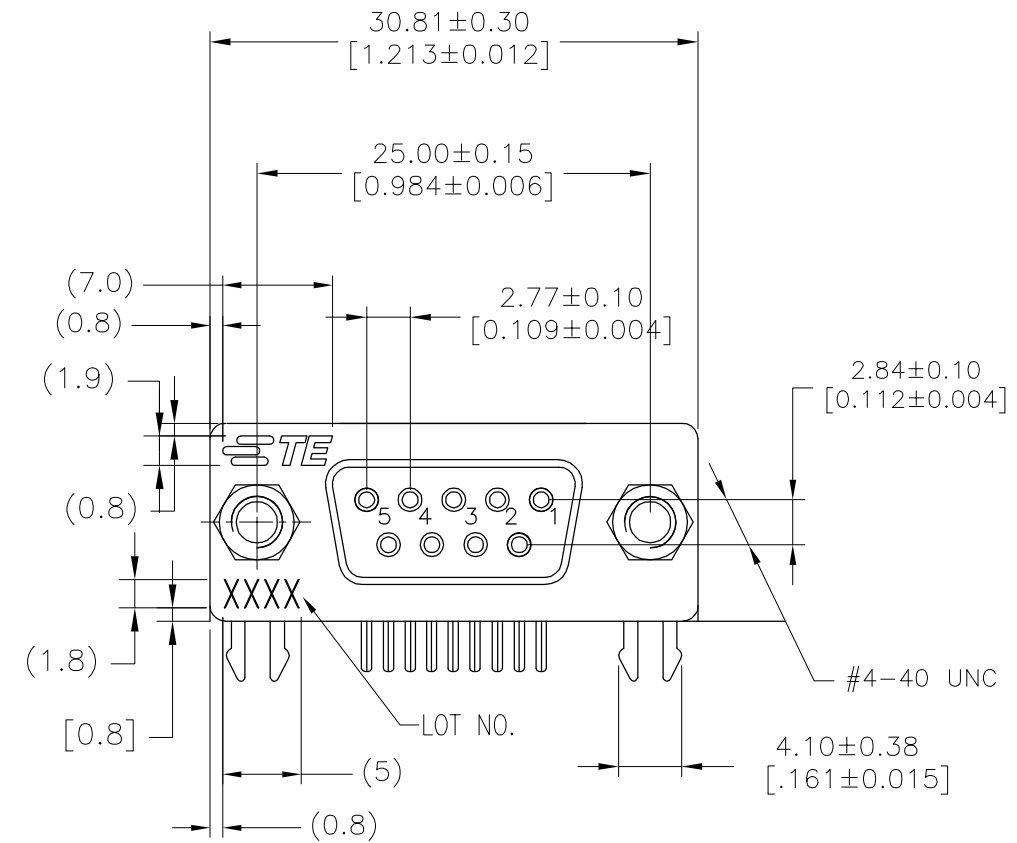
REVISIONS				
P	LTR	DESCRIPTION	DATE	APVD
D		REVISED PER ECO-18-008015	24MAY2018	AP DG

RECOMMENDED PCB LAYOUT
 TOLERANCE IS ±0.05



NOTES:

- HOUSING: PA9T+GF(UL94V-0) BLACK
- CONTACT: PHOSPHOR BRONZE
- " GOLD PLATING ON CONTACT AREA
- 100u" MATTE TIN PLATING ON SOLDER TAIL
- 50u" NICKEL UNDERPLATED OVERALL
- HOLDDOWN: BRASS, 100u" TIN OVER 50u" NICKEL
- SHELL: SPCC, NICKEL PLATED
- RIVET: BRASS, NICKEL PLATED
- SCREWLOCK: BRASS, Ni PLATED
- LOT NUMBER "XXXX"
 - STANDS FOR CALENDAR YEAR
 - STANDS FOR WEEK NUMBER



YES	15µ" Au	2311765-2
YES	Au Flash	2311765-1
SCREWLOCK	Contact Area Plating	P/N

THIS DRAWING IS A CONTROLLED DOCUMENT.

DWN	22FEB2017	TE Connectivity	AMPLIMITE RECEPTACLE, HD20, RIGHT ANGLE, 9P - -						
CHK	22FEB2017								
APVD	22FEB2017								
NAME	DANIEL GORENC								
PRODUCT SPEC	108-130023	SIZE	A2	CAGE CODE	00779	DRAWING NO	C-2311765	RESTRICTED TO	-
APPLICATION SPEC	-	SCALE	3:1	SHEET	1 of 1	REV	D	CUSTOMER DRAWING	