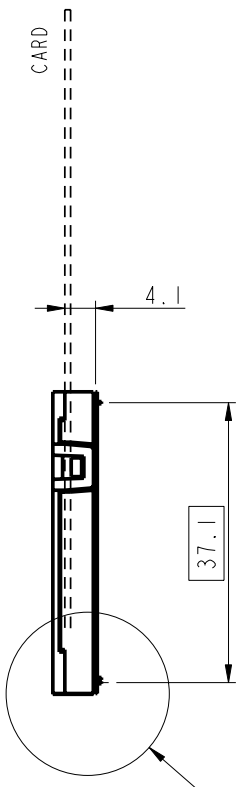
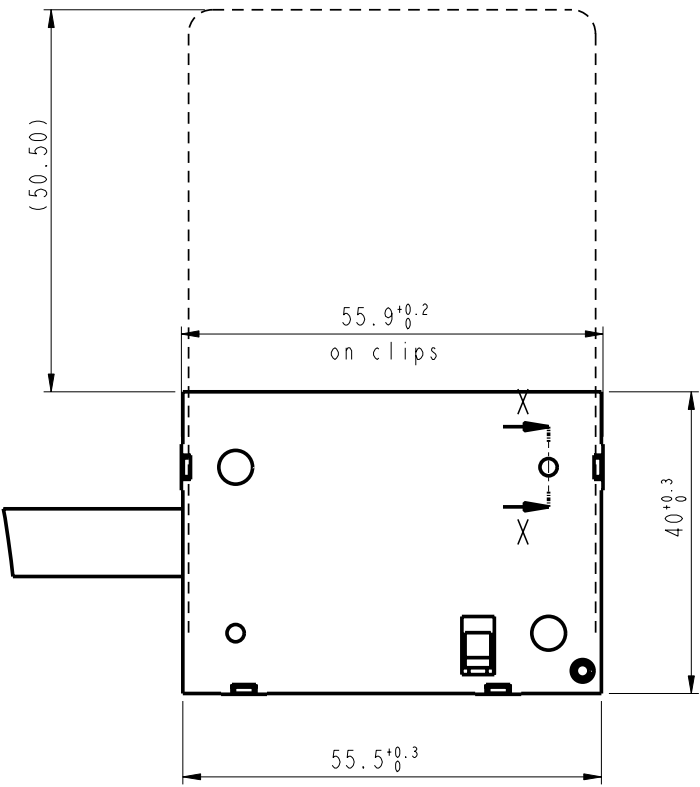
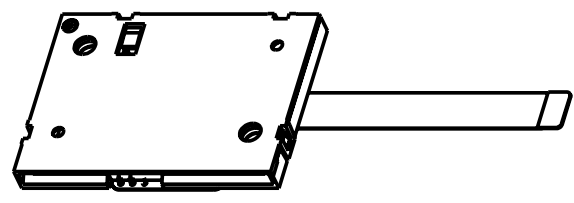
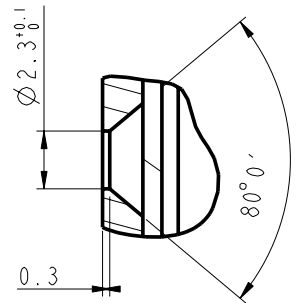


PART NUMBER	LEAD FREE VERSION
736IE0215S08	736IE0215S08LF

SECTION X-X
SCALE 5:1



GENERAL :
High cycle life duration smart card connector with landing type contacts mechanism. The landing type connector also provides the feature of recessed contacts when card is not inserted which protects them against vandalism.
Smart card for reference purposes only.

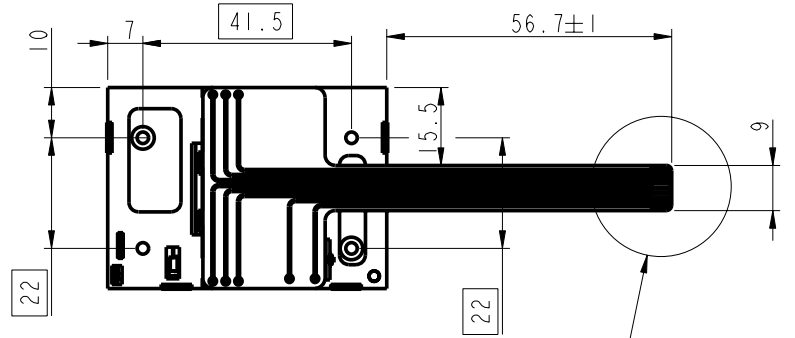
ELECTRICAL PROPERTIES:
Insulation resistance : > 1000MΩ
Dielectric withstanding voltage : > 750 Vrms
Current carrying capacity : Min 10μA, Max 1A
Contact resistance : < 100mΩ

MECHANICAL PROPERTIES :
Operating force : Insertion : F < 10N
Withdrawal : 1 < F < 10N
Contact Normal force : 0.2 < F < 0.3 for 0.6mm of deflection
Durability : 200 000 mating cycles

MATERIAL :
Head reader : Thermoplastic, Colour Grey, Rated UL94V0
Cover : Thermoplastic, Colour Grey, Rated UL94V0
Contacts : Copper alloy,
Plating : Gold over Ni or equivalent on contact area
SnPb over Ni on solder tails (for leaded version)
Matte tin over Ni on solder tails (for lead free version)

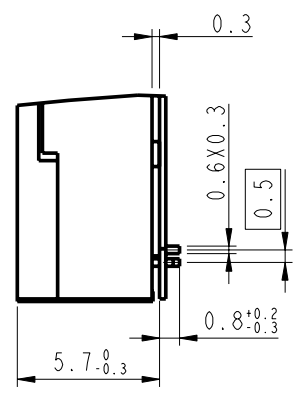
ENVIRONMENT :
Operating temperature : -40°C / +90°C
Climatic conditions : UTE 93-421

PACKAGING :
Plastic cavity tray



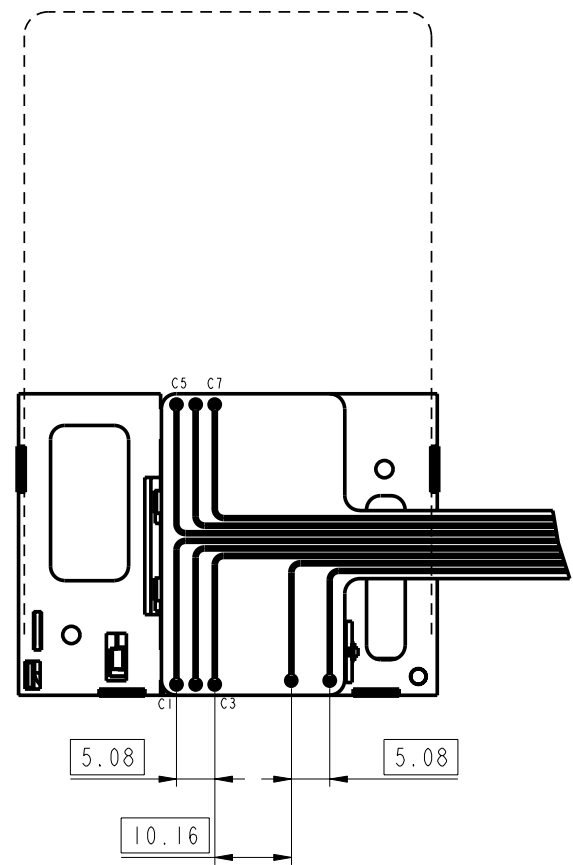
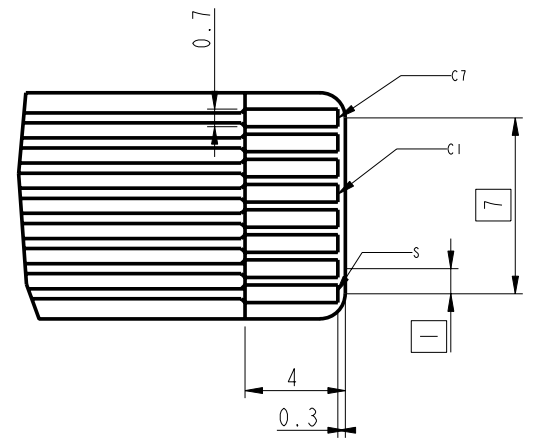
SEE DETAIL AA

SEE DETAIL B



DETAIL B
SCALE 5:1

DETAIL AA
SCALE 5:1



LEAD FREE VERSION:
"This product meets European Union Directives and other country regulations as described in GS-22-008"

Copyright FCI
FCI

rev	ecn no	dr	date
B	F20341	DLE	2002/06/04
C	LS3077	MPE	2003/09/17
D	LS3088	MPE	2003/10-17
E	104-0051	DTK	2004/07/17
F	105-0181	NT	2005/10/04
G	106-0078	DTK	2006/06/19
H	109-0013	SSC	2009/01/24

General Tolerances	
0 to 10mm:	±0.1mm
10 to 30mm:	±0.15mm
30 to 60mm:	±0.2mm
60 and more:	±0.3mm

www.fciconnect.com		surface --	tolerance std	projection	mm
		ISO 1302	ISO 406 ISO 1101	ISO 1101	
TOLERANCES UNLESS OTHERWISE SPECIFIED					
ANGULAR	LINEAR	0.X	±	size	Scale
0° ±'	0.XXX	0.XX	±	A2	3:2
Product family MOBILE I/O				ECN	109-0013
Spec ref					
E02-SIDE-FLEX 6 CTS		VJW_53951		Rev. H	
SMART CARD READER VXX 27790		CUSTOMER		sheet 1 of 1	