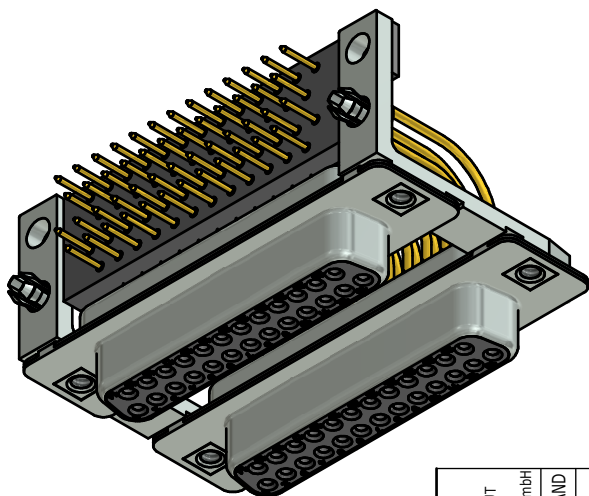


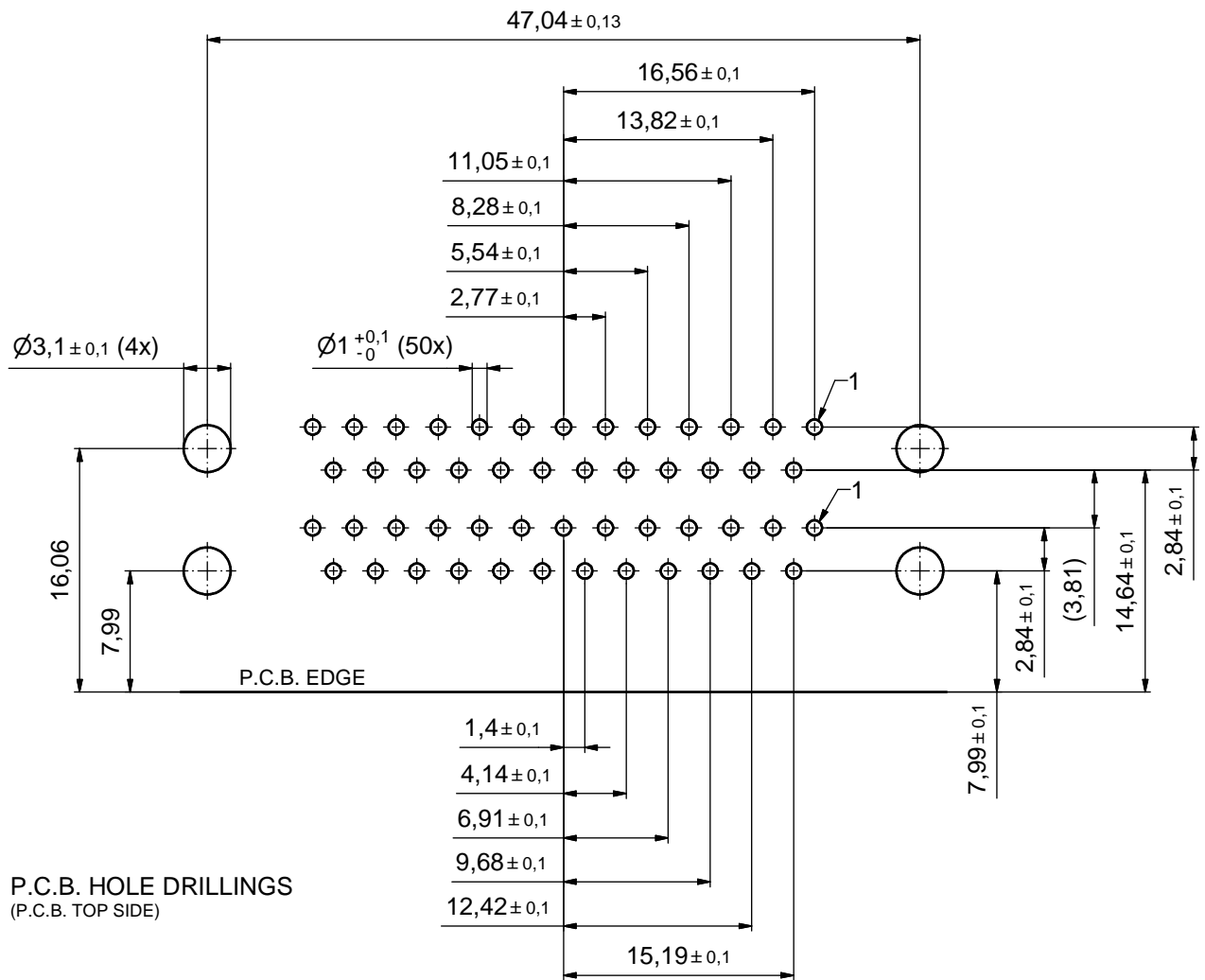
NOTES:

1. METAL SHELLS: STEEL; min. 315µm TIN over 40-80µm NICKEL
2. INSULATORS: PBT GF UL 94 V-0, BLACK
3. CONTACTS: COPPER ALLOY; PLATING (SEE PART NO):
 - PLEASE ADD A for GOLD FLASH over NICKEL (PREFERRED TYPE)
 - PLEASE ADD B for 20µm HARD GOLD over min. 50µm NICKEL
 - PLEASE ADD C for 30µm HARD GOLD over min. 50µm NICKEL
4. METAL BRACKETS:
 - ZINC DIE CAST; 300µm COPPER/40-120µm NICKEL/120-200µm TIN
5. THREADED INSERTS: COPPER ALLOY; min. 200µm TIN over 80µm NICKEL
6. FIXING PLATE: PBT GF UL 94 V-0, BLACK
7. PCB-SNAPS: COPPER ALLOY; min. 200µm TIN over 80µm NICKEL
PCB-HOLE: Ø3,1±0,1mm; PCB-THICKNESS: 1,6mm
8. P.C.B. HOLE DRILLINGS ON SHEET 2
9. MAXIMUM TORQUE VALUE FOR THREAD: 6 in.LB
10. CONNECTOR IS PART MARKET: **164□19939X CONEC ABC**



Directive 2002/95/EC RoHS compliant

THIS DRAWING MAY NOT BE COPIED OR REPRODUCED IN ANY WAY, AND MAY NOT BE PASSED ON TO A THIRD PARTY WITHOUT WRITTEN PERMISSION. OWNERSHIP AND COPYRIGHT OF CONEC GmbH DO NOT ALTER CAD DRAWING BY HAND				tolerance		dim. in mm	scale: 2:1			
				date			material: see notes			
				drawn	10.04.13	Schmidt	title: D-SUB DUAL PORT 19,05mm FEMALE / FEMALE 2x25pos. threaded insert, metal bracket, fixing plate, snap dwg no:			
				appd.	10.04.13	Fischer				
norm										
d-old	16K1A543 / 16K11MGA		part no: 16K1A3221 (b)		DIN-A3 sh: 1					
1 x b	A4717	10.04.13	HS	part no: 164□19939X (see note 3)						
a	Original									
rev.	description	date	name							



P.C.B. HOLE DRILLINGS
(P.C.B. TOP SIDE)

THIS DRAWING MAY NOT BE COPIED OR REPRODUCED IN ANY WAY, AND MAY NOT BE PASSED ON TO A THIRD PARTY WITHOUT WRITTEN PERMISSION. OWNERSHIP AND COPYRIGHT OF CONEC GmbH DO NOT ALTER CAD DRAWING BY HAND				tolerance		scale: 3:1
				dim. in mm		material: see sheet 1
	drawn	10.04.13	Schmidt	title:		
	appd.	10.04.13	Fischer	P.C.B. HOLE DRILLINGS		
	norm			D-SUB DUAL PORT 19,05mm		
	d-old	see sheet 1		FEMALE / FEMALE 2x25pos.		
	rev.	a	Original	dwg no:		DIN-A3
	description			16K1A3221		sh: 2
	date			part no: see sheet 1		
	name					

