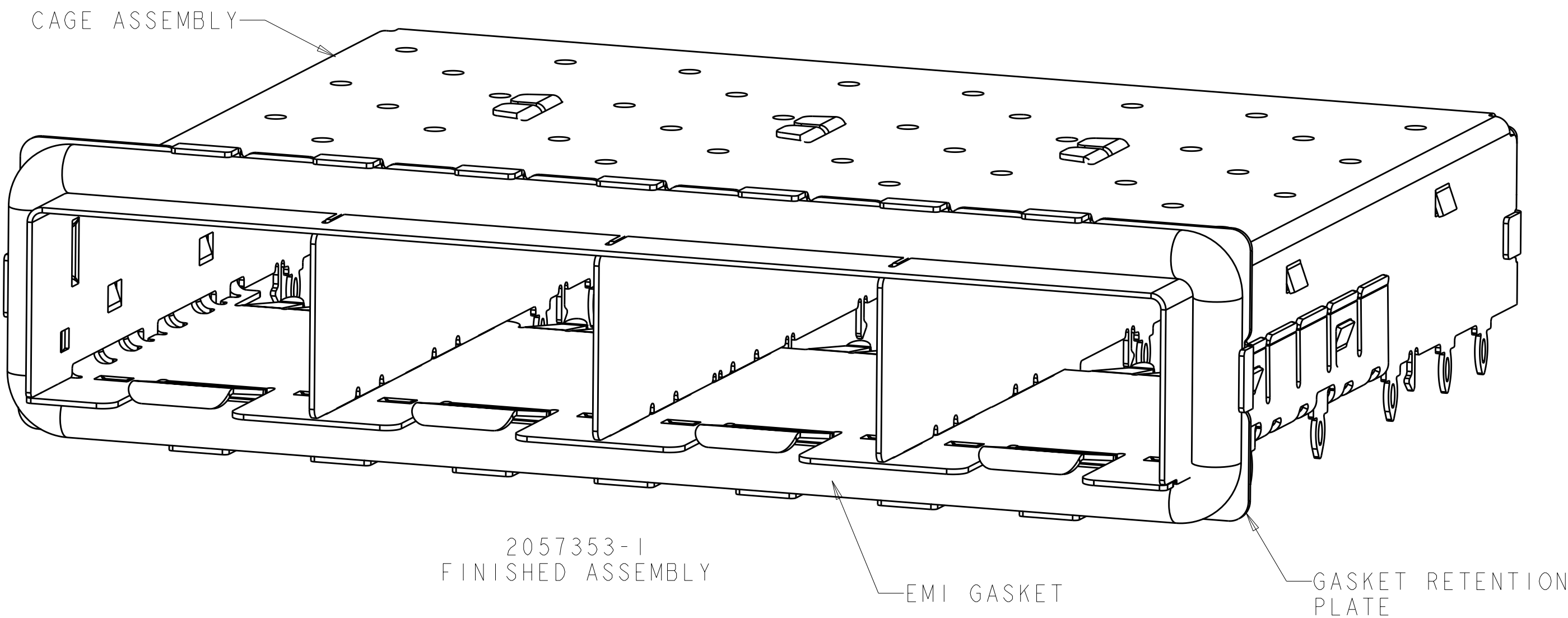
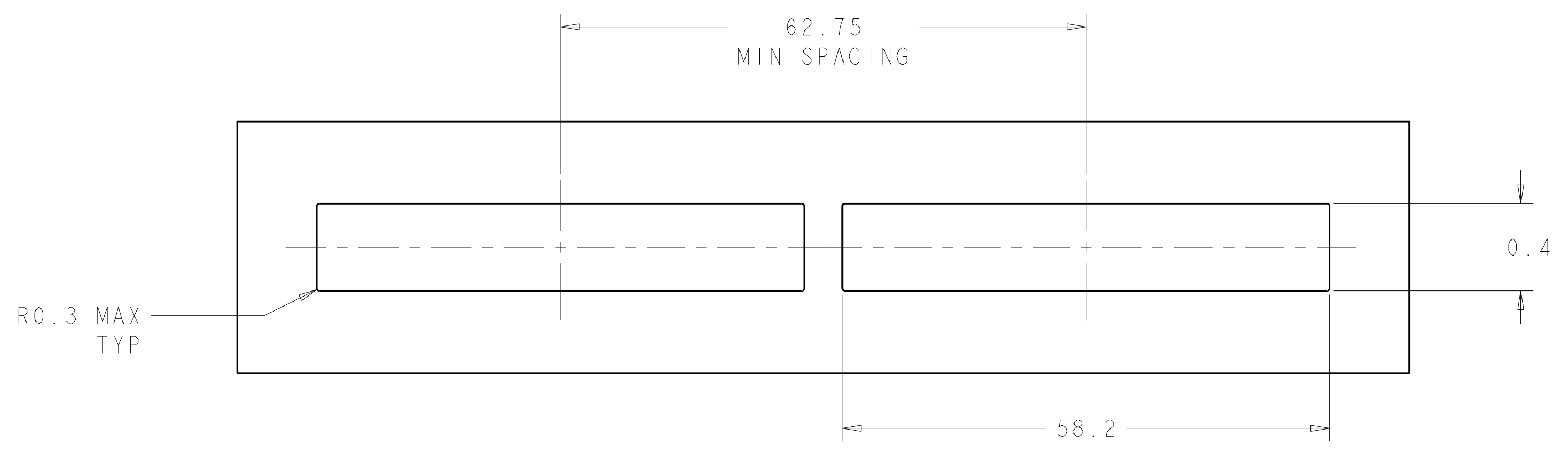
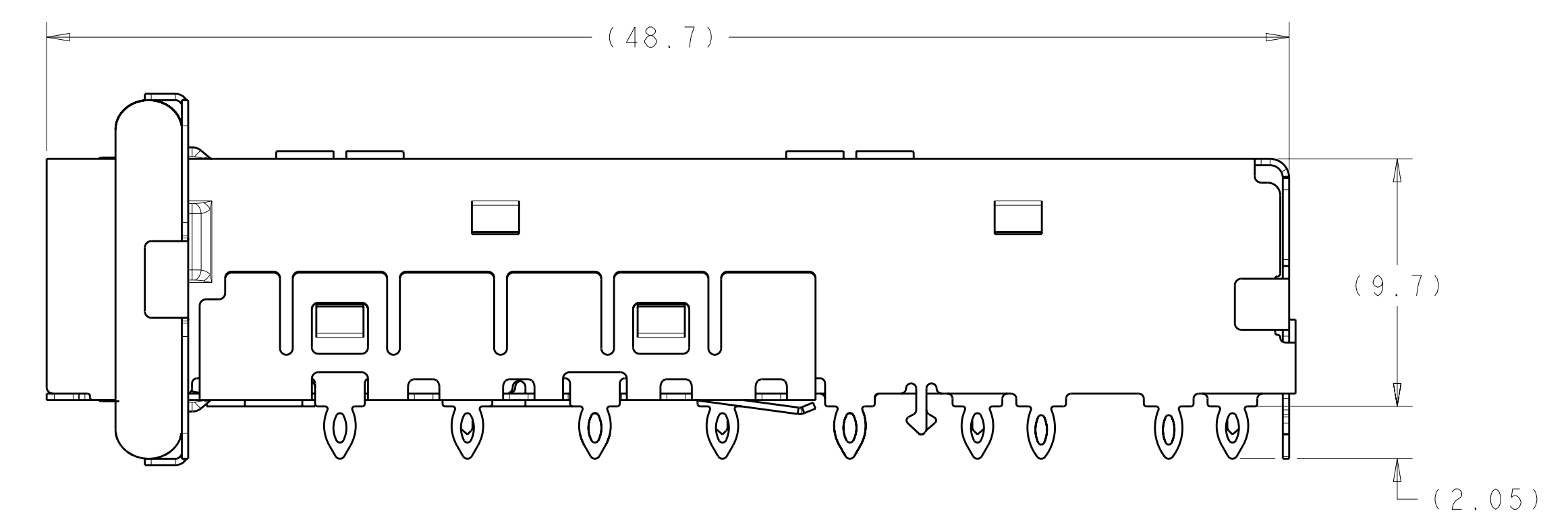
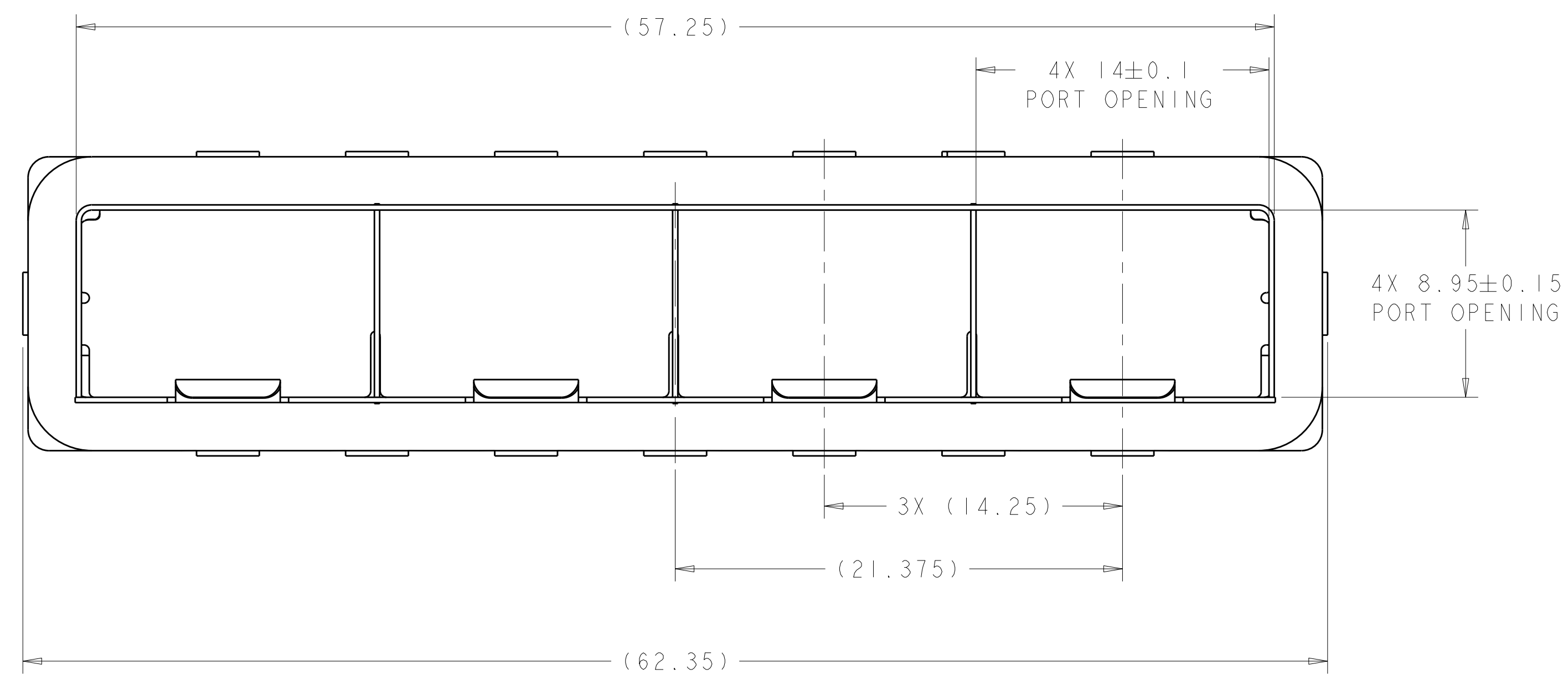


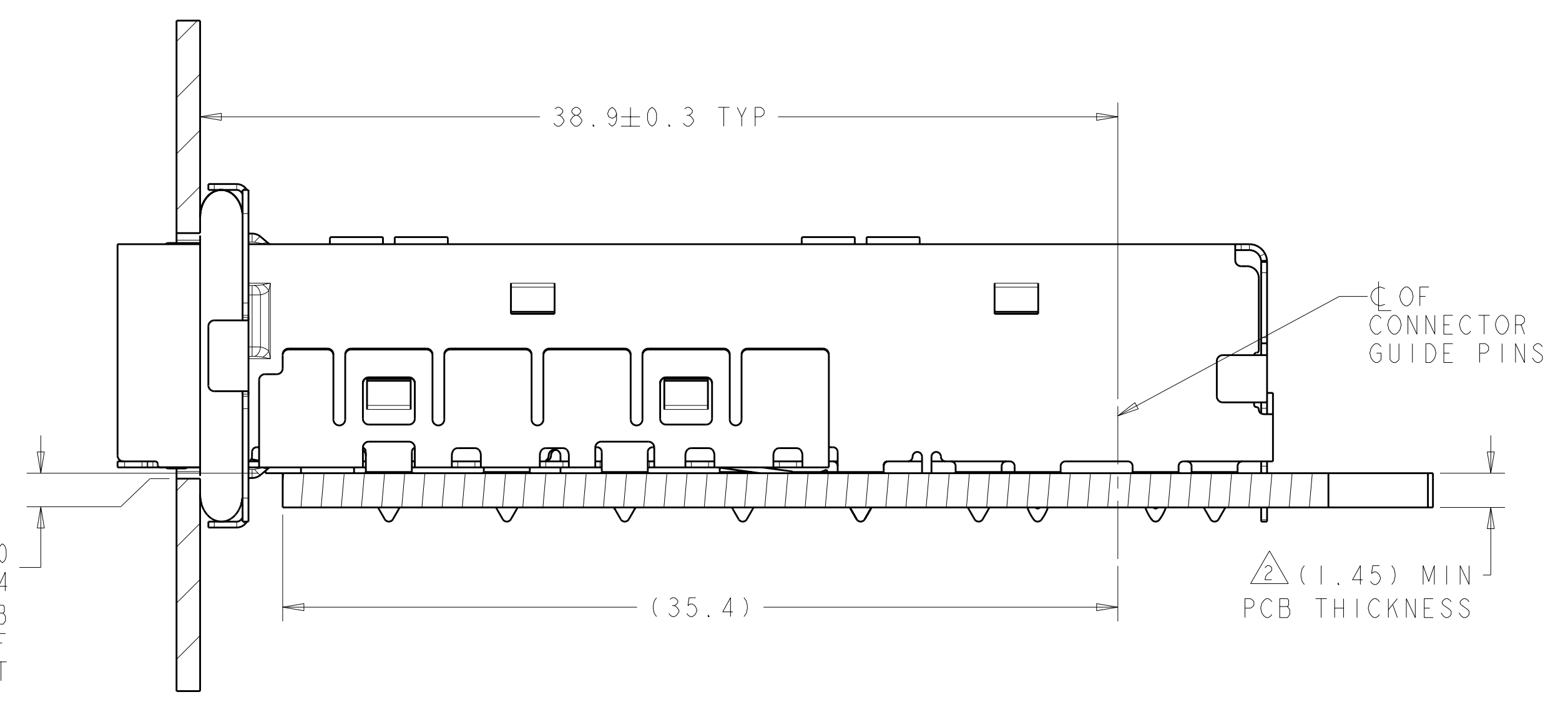
LOC	DIST	REV	DESCRIPTION	DATE	DWN	APVD
GP	00	A	RELEASE PER ECO-10-025263	15FEB2011	CJV	JTL



- 1 MATERIAL:  
 CAGE ASSEMBLY: NICKEL SILVER ALLOY  
 GASKET RETENTION PLATE: STAINLESS STEEL  
 EMI GASKET: PLATED FILLED SILICONE
- 2 MINIMUM PC BOARD THICKNESS:  
 SINGLE SIDED = 1.45mm
- 3 PADS AND VIAS CHASSIS GROUND.
- 4 DATUM AND BASIC DIMENSION ESTABLISHED BY CUSTOMER.
- 5. MATES WITH SFP MSA COMPLIANT TRANSCEIVERS.
- 6. INTERPRETATION OF DATUM REFERENCE FRAME IN ACCORDANCE WITH SECT 4.4.1.1 OF ASME Y14.5M-1994.
- 7 REFERENCE APPLICATION SPEC. 114-13120, HOLE A, FOR RECOMMENDED DRILL HOLE DIAMETER AND PLATING THICKNESS.
- 8 REFERENCE APPLICATION SPEC. 114-13120, HOLE B, FOR RECOMMENDED DRILL HOLE DIAMETER AND PLATING THICKNESS.
- 9 HOLE PATTERN REPEATS FOR EACH PORT. SPACING BETWEEN PORTS IS 14.25mm.



0.23<sup>+0.10</sup><sub>-0.14</sub>  
 TOP OF PCB  
 TO INSIDE OF  
 BEZEL CUT-OUT



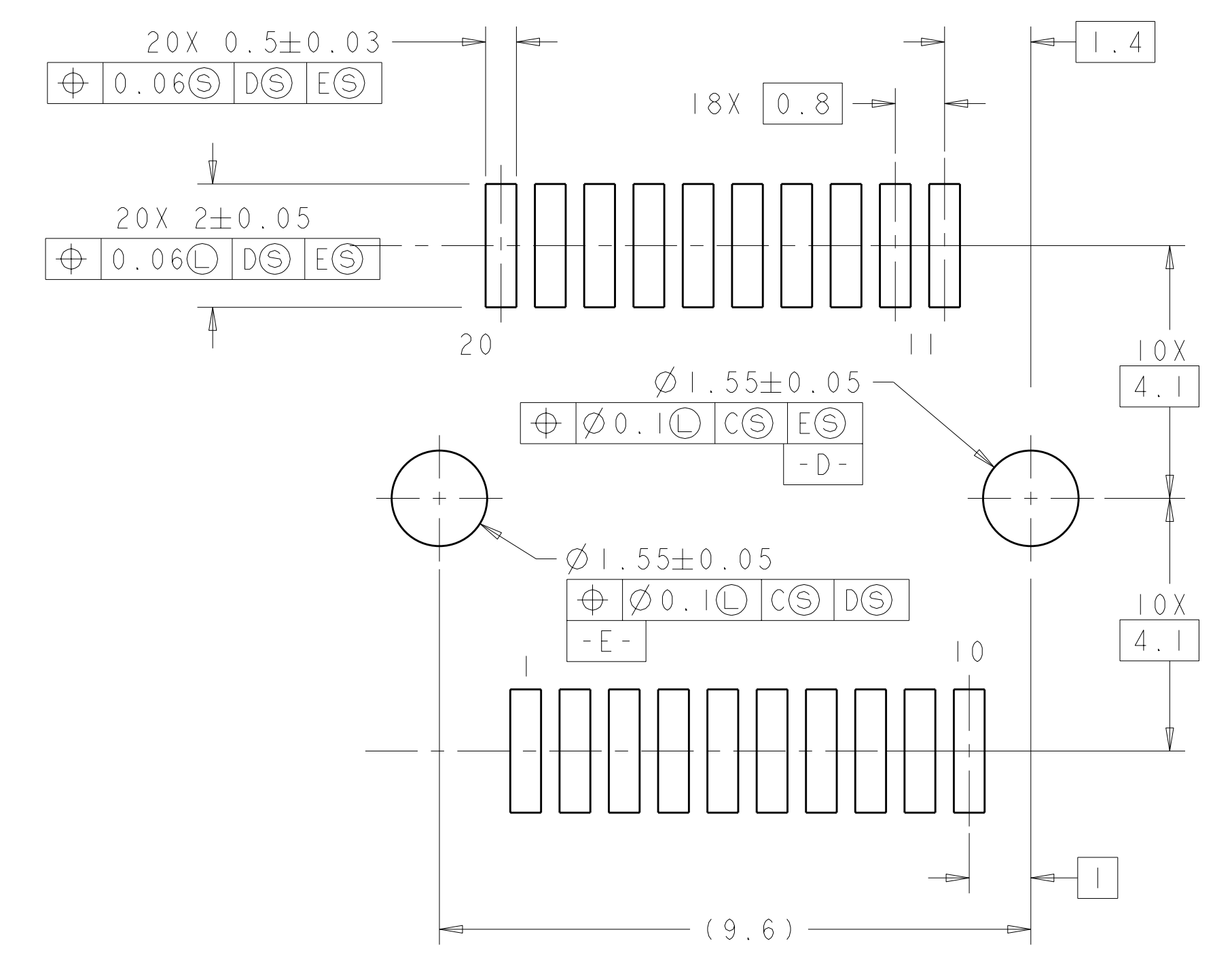
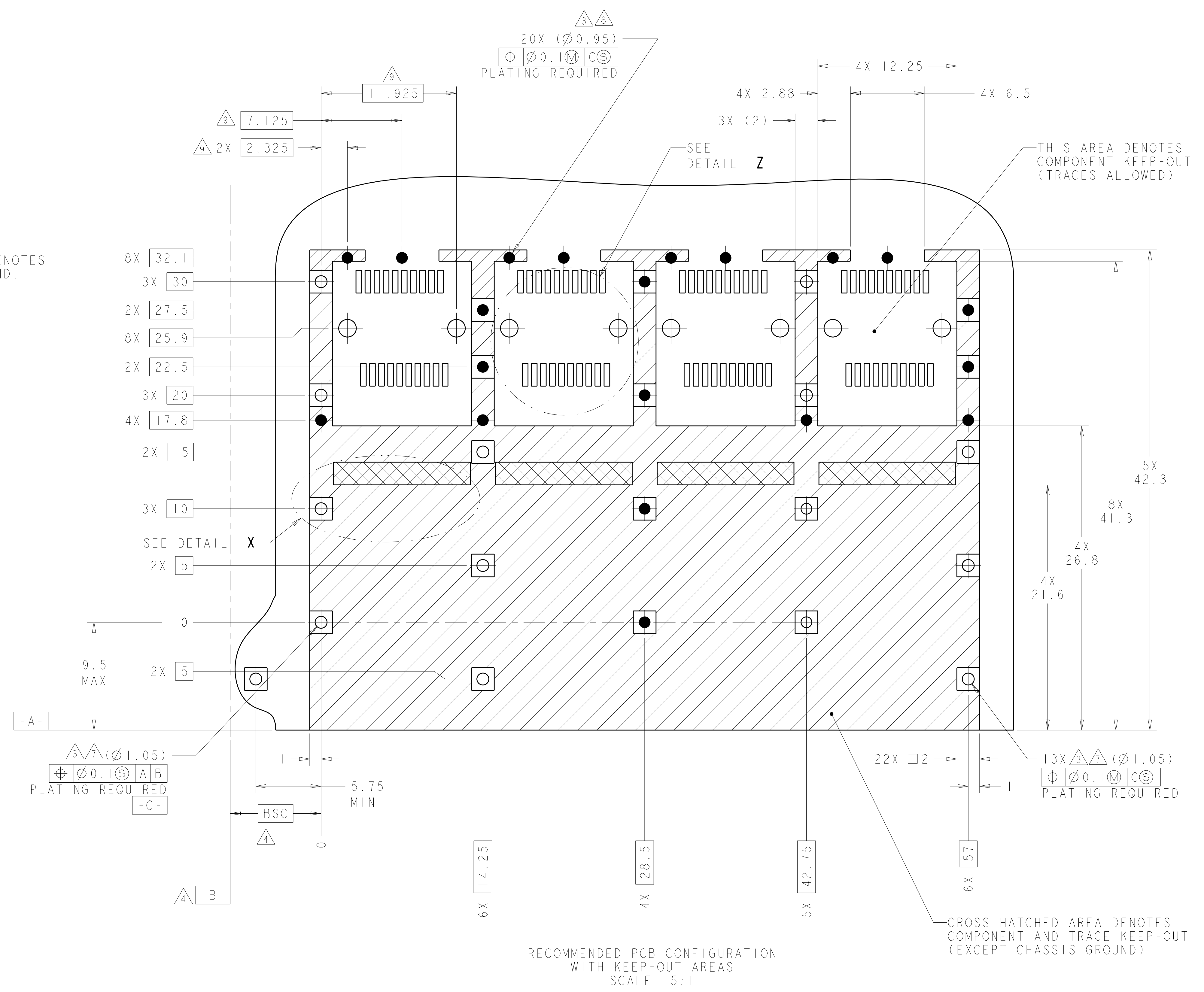
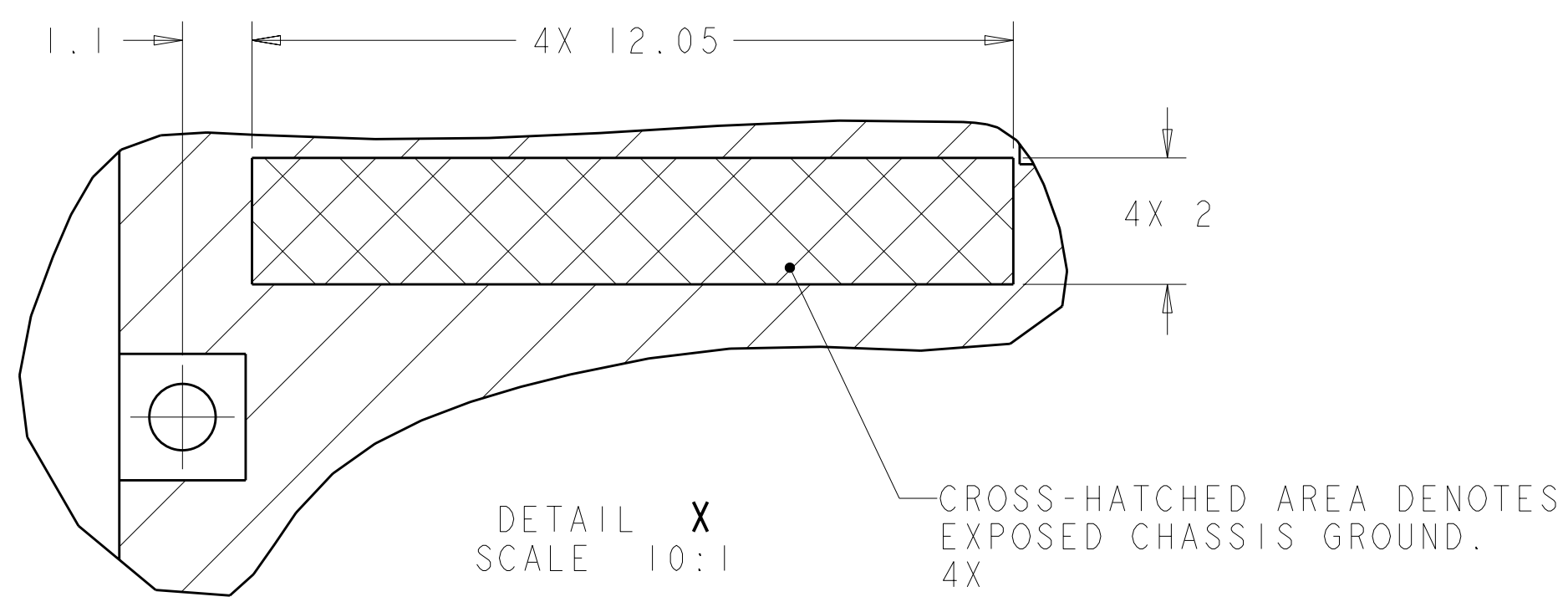
RECOMMENDED BEZEL CUT-OUT  
 SINGLE SIDED APPLICATIONS  
 SCALE 2:1

2057353-1  
 MOUNTED ON PC BOARD  
 SHOWN THRU RECOMMENDED BEZEL  
 SECTION

2057353-1  
 PART  
 NUMBER

DIMENSIONS: mm 		TOLERANCES UNLESS OTHERWISE SPECIFIED: 9 PLC ±0.1 1 PLC ±0.1 2 PLC ±0.1 3 PLC ±0.1 4 PLC ±0.1 ANGLES ±0.1 FINISH #1		DWN ID MCMASTER 19AUG08 CHW M SCHMITT 19AUG08 APVD M SCHMITT 19AUG08		Tyco Electronics Harrisburg, PA 17105-3608	
MATERIAL 		WEIGHT -		NAME SFP+ ENHANCED 1X4 CAGE ASSEMBLY, PRESS-FIT		SIZE CAGE CODE DRAWING NO A 100779 C-2057353	
CUSTOMER DRAWING				SCALE 5:1		SHEET 1 OF 2 REV A	

LOC	DIST	REVISIONS			
GP	00	REV	DATE	DWN	APVD
		1	SEE SHEET 1	-	-



DETAIL Z  
RECOMMENDED PT CONNECTOR LAYOUT  
4X INDIVIDUALLY  
SCALE 12:1

DIMENSIONS:		TOLERANCES UNLESS OTHERWISE SPECIFIED:		DWN		Tyco Electronics	
mm		9 PLC	±0.1	B	MCMASTER	19AUG08	Tyco Electronics
		1 PLC	±0.1	CHK	M. SCHMITT	19AUG08	Harrisburg, PA 17105-3608
		5 PLC	±0.1	APVD	M. SCHMITT	19AUG08	
		4 PLC	±0.1				
		ANGLES	±0.1				
MATERIAL	FINISH	WEIGHT		PRODUCT SPEC	NAME		
				108-2364	SFP+ ENHANCED 1x4		
				APPLICATION SPEC	CAGE ASSEMBLY, PRESS-FIT		
				114-13120	SIZE	CAGE CODE	DRAWING NO.
					A	100779	C=2057353
				CUSTOMER DRAWING	SCALE	SHEET	REV
					5:1	2	A