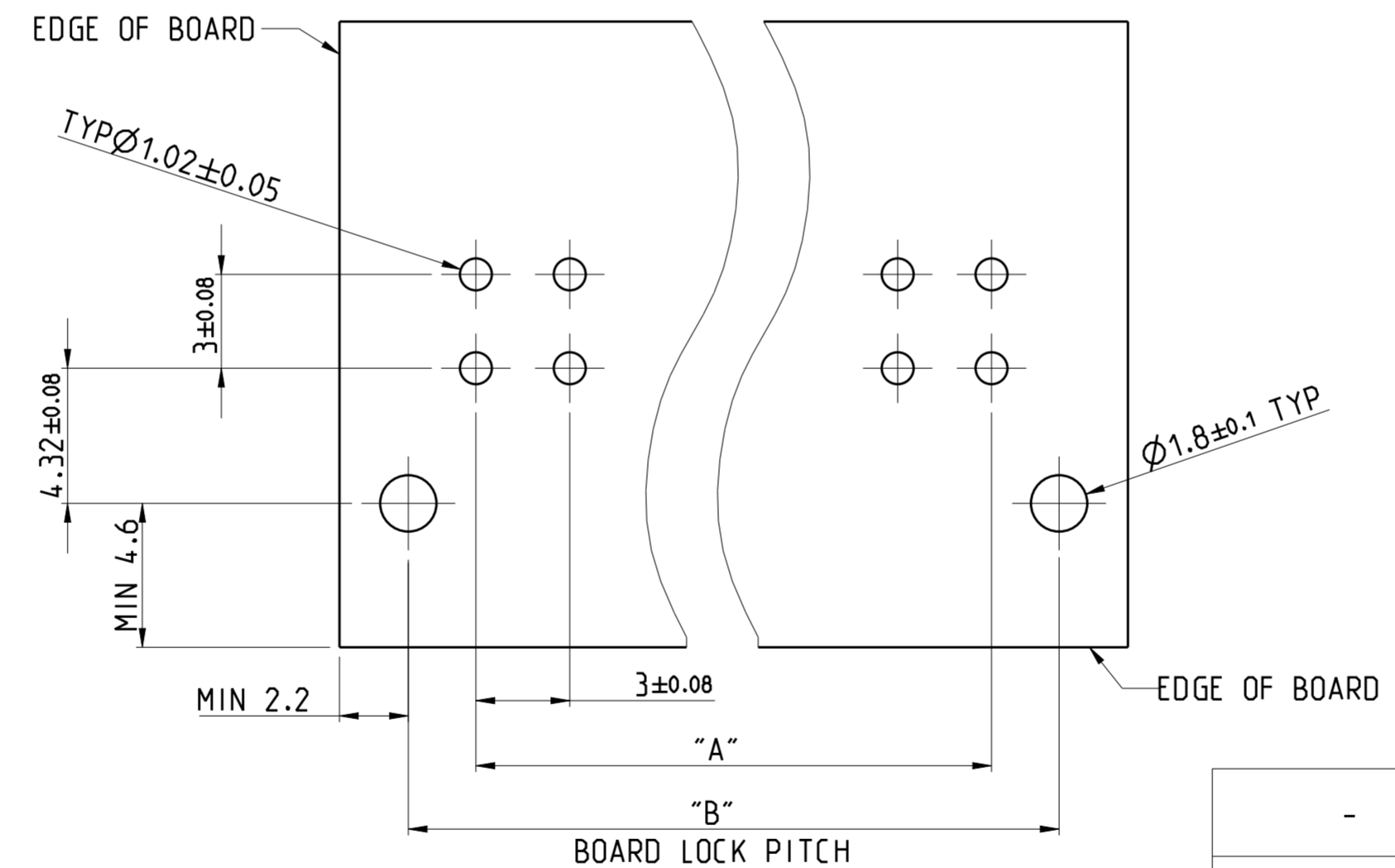
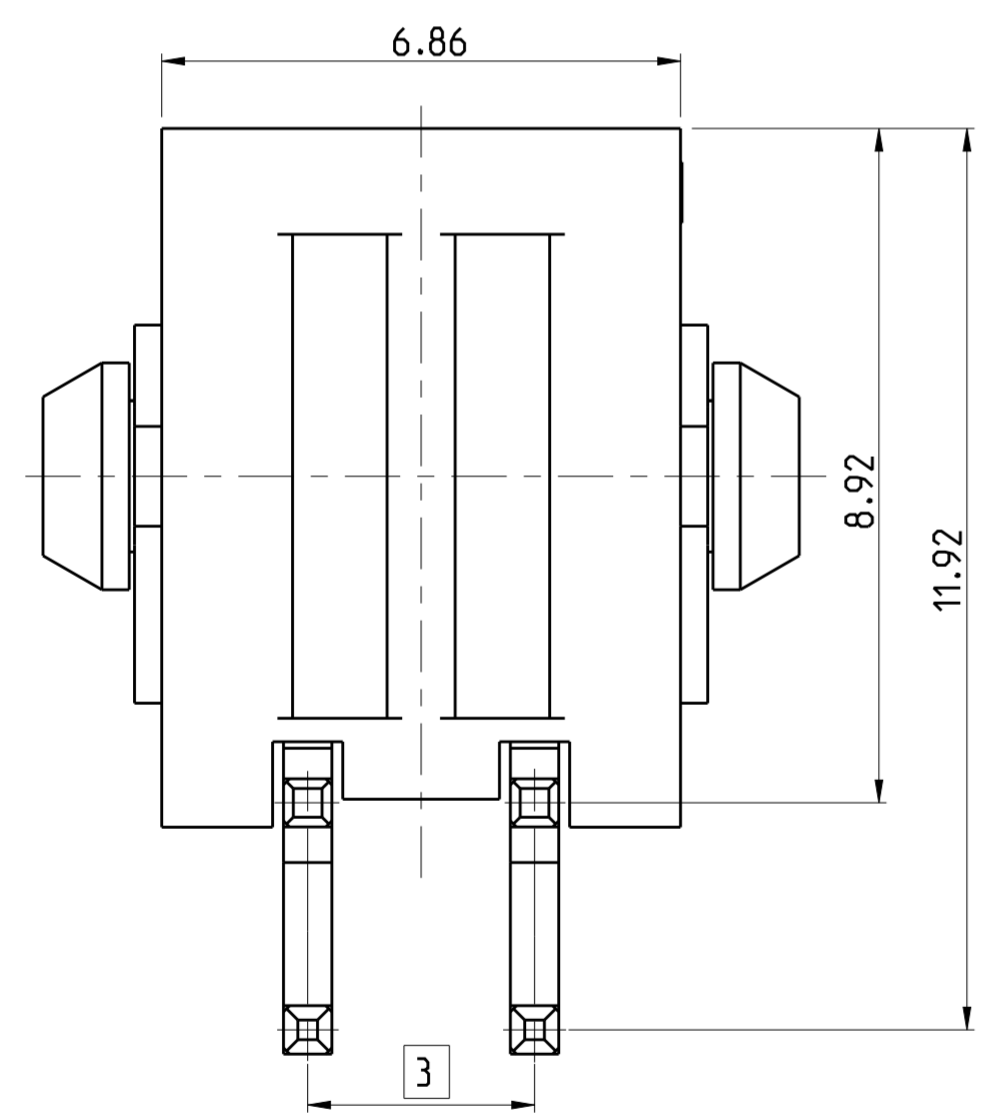
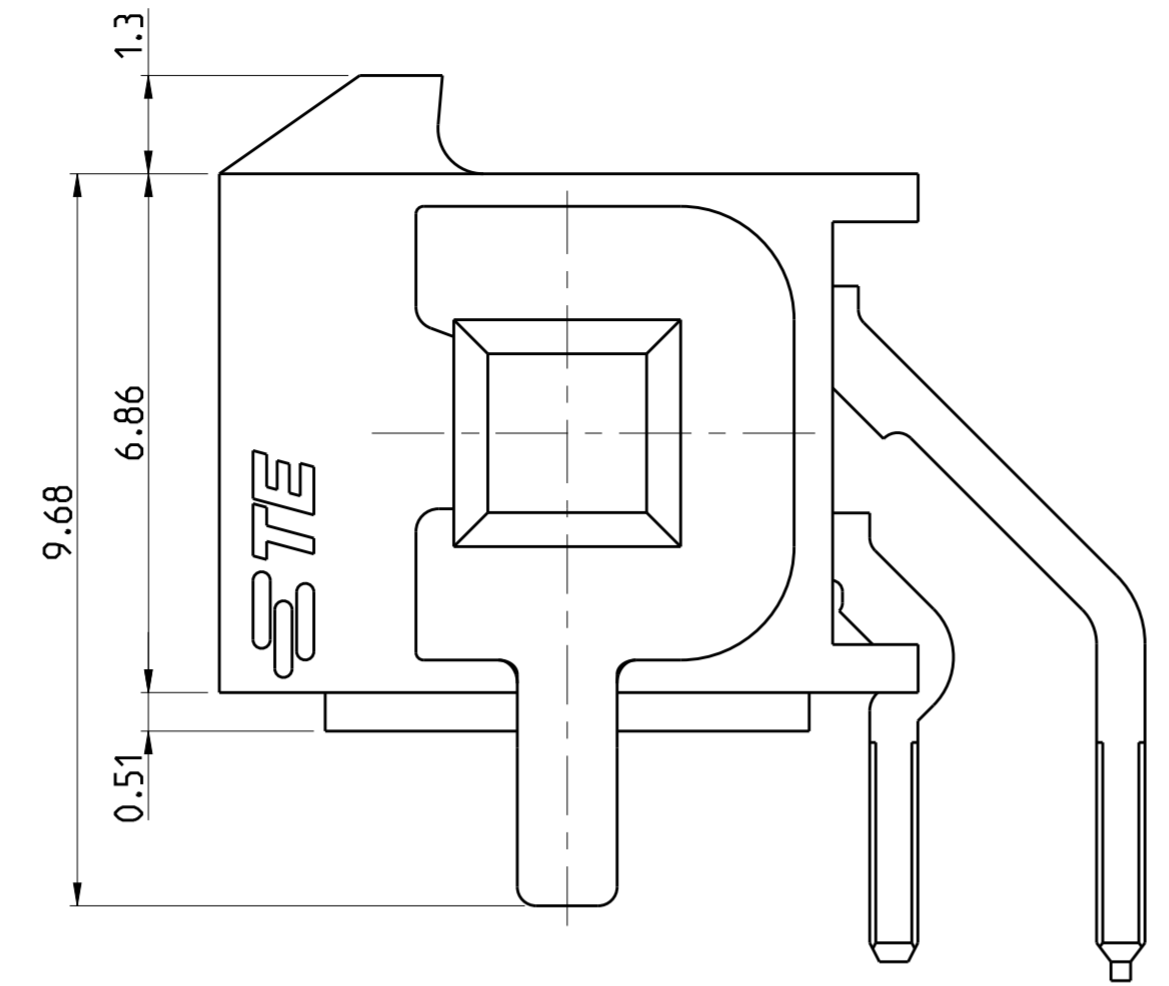
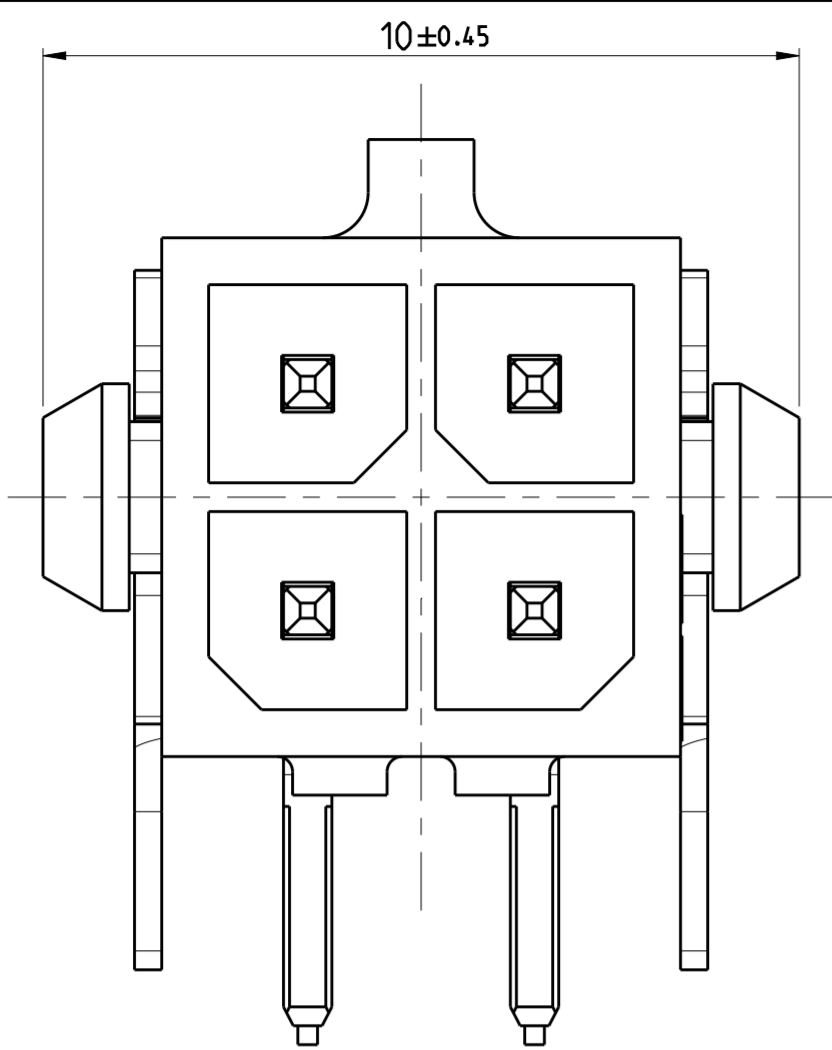
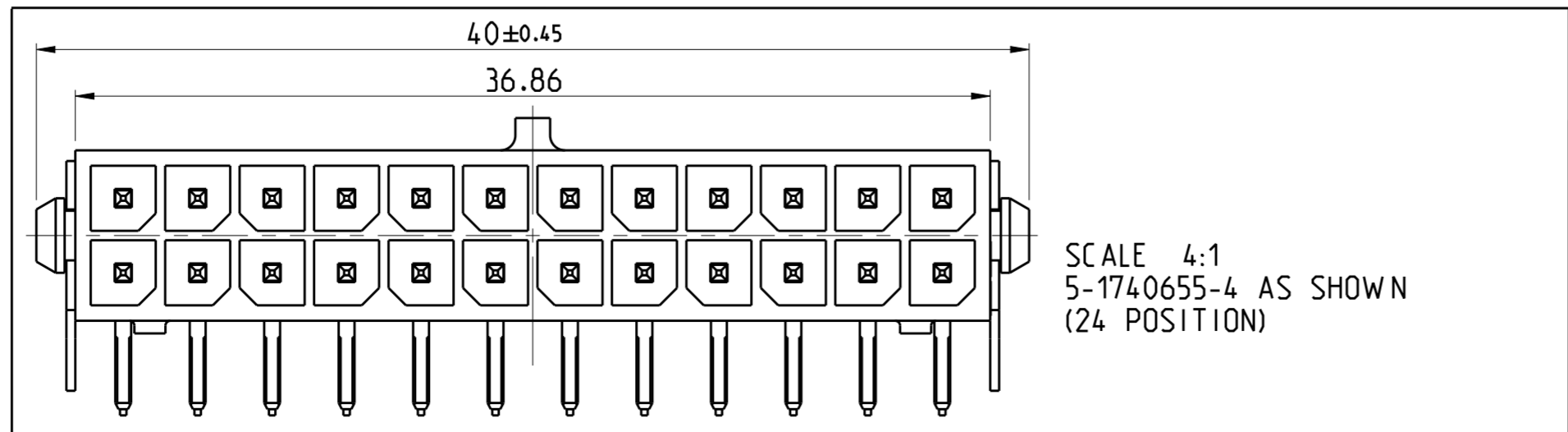


THIS DRAWING IS UNPUBLISHED. RELEASED FOR PUBLICATION 2006
 ALL RIGHTS RESERVED.
 COPYRIGHT copyright_date BY -

REVISIONS					
P	LTR	DESCRIPTION	DATE	DWN	APVD
B		REVISED PER ECO-15-005484	28JULY2015	SC	DZ

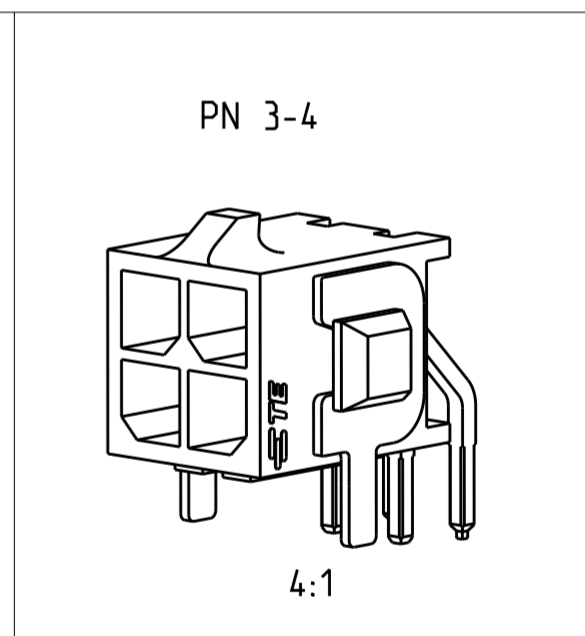
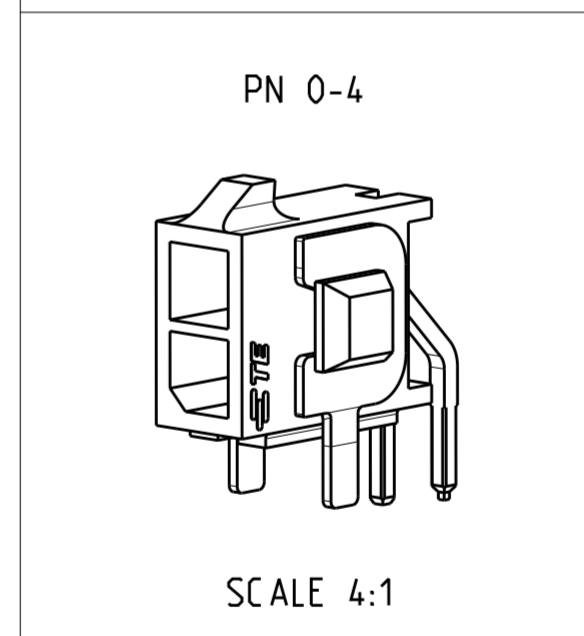
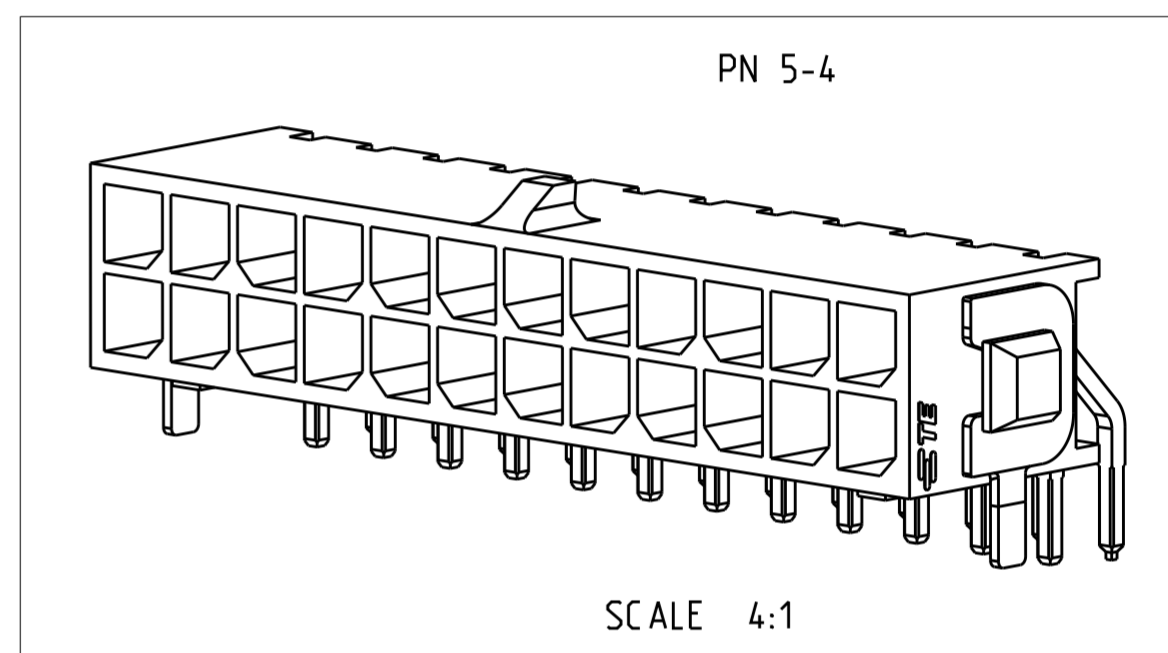


RECOMMENDED PCB LAYOUT (COMPONENT SIDE) 3



SCALE 4:1
 5-1740655-4 AS SHOWN
 (24 POSITION)

- 1 MATERIAL:
 CONTACTS-BRASS.
 HOUSING- UL 94V-0 RATED HIGH TEMP NYLON, COLOR; BLACK
- 2 PLATING:
 CONTACTS-2.54 µm MINIMUM MATTE TIN OVER 1.27 µm MINIMUM NICKEL ALL OVER
- 3 RECOMMENDED PCBOARD THICKNESS TO EN 60249-2-4 TABLE 3 (1.6±0.14)
- 4. ADAPTED TO : MATING CONN PN 794617
- 5. DELIVERED STATE : TAPE AND REEL



-	4.3	2	2	0-1740655-4	A
33.0	37.3	2	24	5-1740655-4	A
3.0	7.3	2	4	3-1740655-4	A
DIM "A" ±0.08	DIM "B" ±0.08	PLATING	NO OF POS	PART NUMBER	REV

THIS DRAWING IS A CONTROLLED DOCUMENT.

DIMENSIONS:	TOLERANCES UNLESS OTHERWISE SPECIFIED:	DWN PRAVEEN 26-Apr-06	TE Connectivity
mm	0 PLC ±	CHK T.GERLACH 26-Apr-06	
	1 PLC ±0.2	APVD T.GERLACH 26-Apr-06	
	2 PLC ±	PRODUCT SPEC	
	3 PLC ±	APPLICATION SPEC	NAME THRU-HOLE, RIGHT ANGLE, TIN HEADER MECHANICAL, BOARDLOCK, DUAL ROW, MICRO MATE-N-LOK
	4 PLC ±	WEIGHT	SIZE A2
MATERIAL	ANGLES FINISH	CUSTOMER DRAWING	CAGE CODE -
		SCALE 10:1	DRAWING NO C-1740655
		SHEET 1 OF 1	RESTRICTED TO -
		REV B	