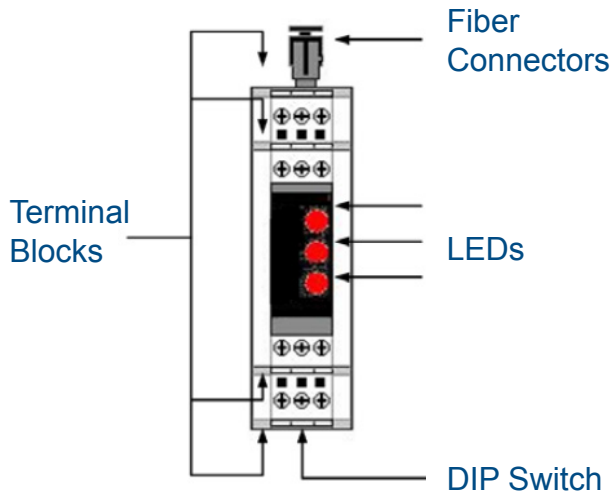


Product Overview



1 UL Installation Guide

Underwriters Laboratories Conditions of Acceptability – When installed in the end-use equipment, consideration should be given to the following:

1. The wiring terminals are suitable for factory wiring only.
2. This device is to be mounted in a suitable enclosure in the end-product.
3. This device is suitable for operation at a maximum surrounding air temperature as described in the documentation.
4. These devices are intended for use in a pollution degree 2 environment.
 - Input Voltage: 10 – 30 VDC
 - Input Power 4.2 Watts
 - Wire Range: 12 – 24 AWG
 - Tightening Torque: 4 kgf-cm
 - Temperature rating of filed installed conductors is 105 C minimum, sized for 60 C ampacity.
 - Use copper wire only
 - Maximum surrounding ambient air temperature 80 C

2 Baud Rates

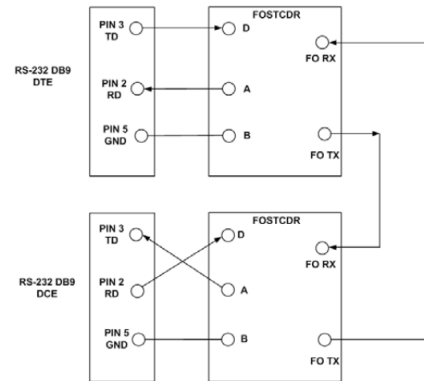
Baud	1	2	3	4	5
4800	OFF	OFF	OFF	OFF	ON
9600	OFF	OFF	OFF	ON	OFF
19.2K	OFF	OFF	ON	OFF	OFF
38.4K	OFF	ON	OFF	OFF	OFF
57.6K	ON	OFF	OFF	OFF	OFF
76.8K	ON	OFF	ON	ON	OFF
115.2K	ON	ON	ON	OFF	OFF

3 Terminal Block

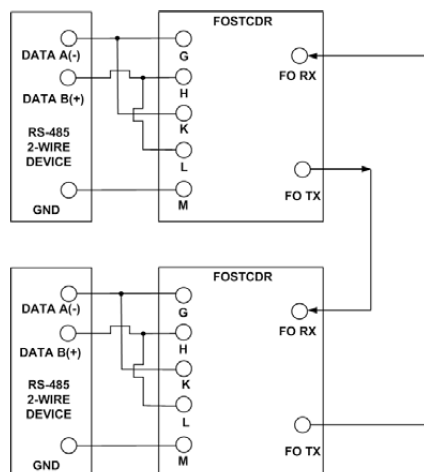
Terminal	Signal
A	RS-232 RD (OUTPUT)
B	GND
C	GND
D	RS-232 TD (INPUT)
E	NOT CONNECTED
F	+10 TO 30 VDC
G	RS-422/485 TDA (-) / DATA A (-)
H	RS-422/485 TDB (+) / DATA B (+)
J	+10 TO 30 VDC
K	RS-422/485 RDA (-) / DATA A (-)
L	RS-422/485 RDB (+) / DATA B (+)

4 Wire the Converter

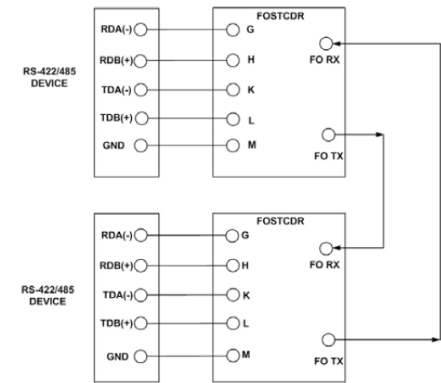
RS-232



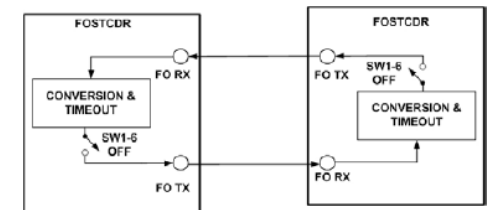
RS-485 2 Wire



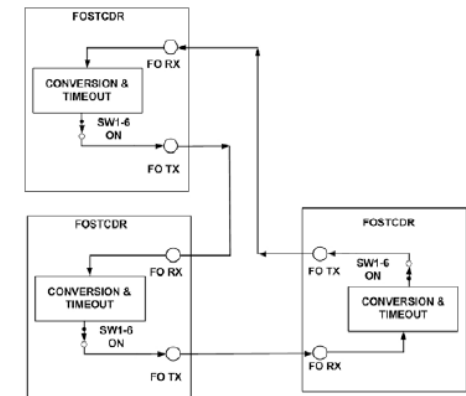
RS-422/RS-485 4 Wire



Fiber Optic



Fiber Optic Point-to-Point



Fiber Optic Multi-drop Ring

5 RS-422/RS-485 Mode Selection

Mode	Position 7	Position 8
RS-485 2-Wire	ON	ON
RS-485 4-Wire	ON	OFF
RS-422	OFF	OFF

6 DIP Switch (SW1)



↑ ON
↓ OFF

Pos.	ON	OFF
1	RS-422/485 Baud Rate Selection	
2	RS-422/485 Baud Rate Selection	
3	RS-422/485 Baud Rate Selection	
4	RS-422/485 Baud Rate Selection	
5	RS-422/485 Baud Rate Selection	
6	FO Multi-drop Ring	FO Point-to-Point
7	RS-422/485 Mode Selection	
8	RS-422/485 Mode Selection	

Recommended Accessories

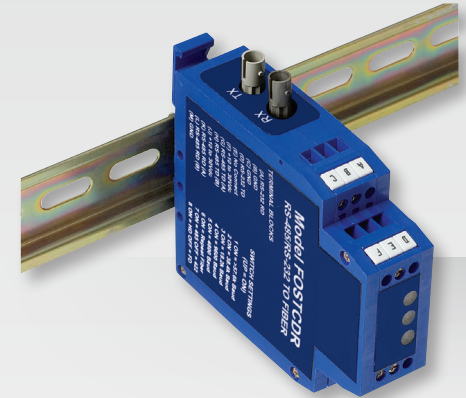
DFMM-STST-1M
Fiber Optic Cable



MDR-20-24
Industrial Power Supply



QUICK START GUIDE



FOSTCDR & FOSTCDR-INV

Industrial Serial to Multi Mode Fiber Optic Converter

Before you begin, be sure you have the following:

- + FOSTCDR-xxx Fiber Converter
- + Required but not included:
 - 10-30 VDC Power Supply
 - Serial Cable
 - Multi-mode Fiber Optic Cable with ST Connectors (62.5/125 micro-meter)

B+B SMARTWORX

Powered by

ADVANTECH

1-888-948-2248 | Europe: +353 91 792444

advantech-bb.com

707 Dayton Road | PO Box 1040 | Ottawa, IL 61350

Phone: 815-433-5100 | Fax: 815-433-5109

www.advantech-bb.com | E-mail: support@advantech-bb.com

B+B SMARTWORX

Powered by

ADVANTECH

Fast and easy on the web: www.advantech-bb.com