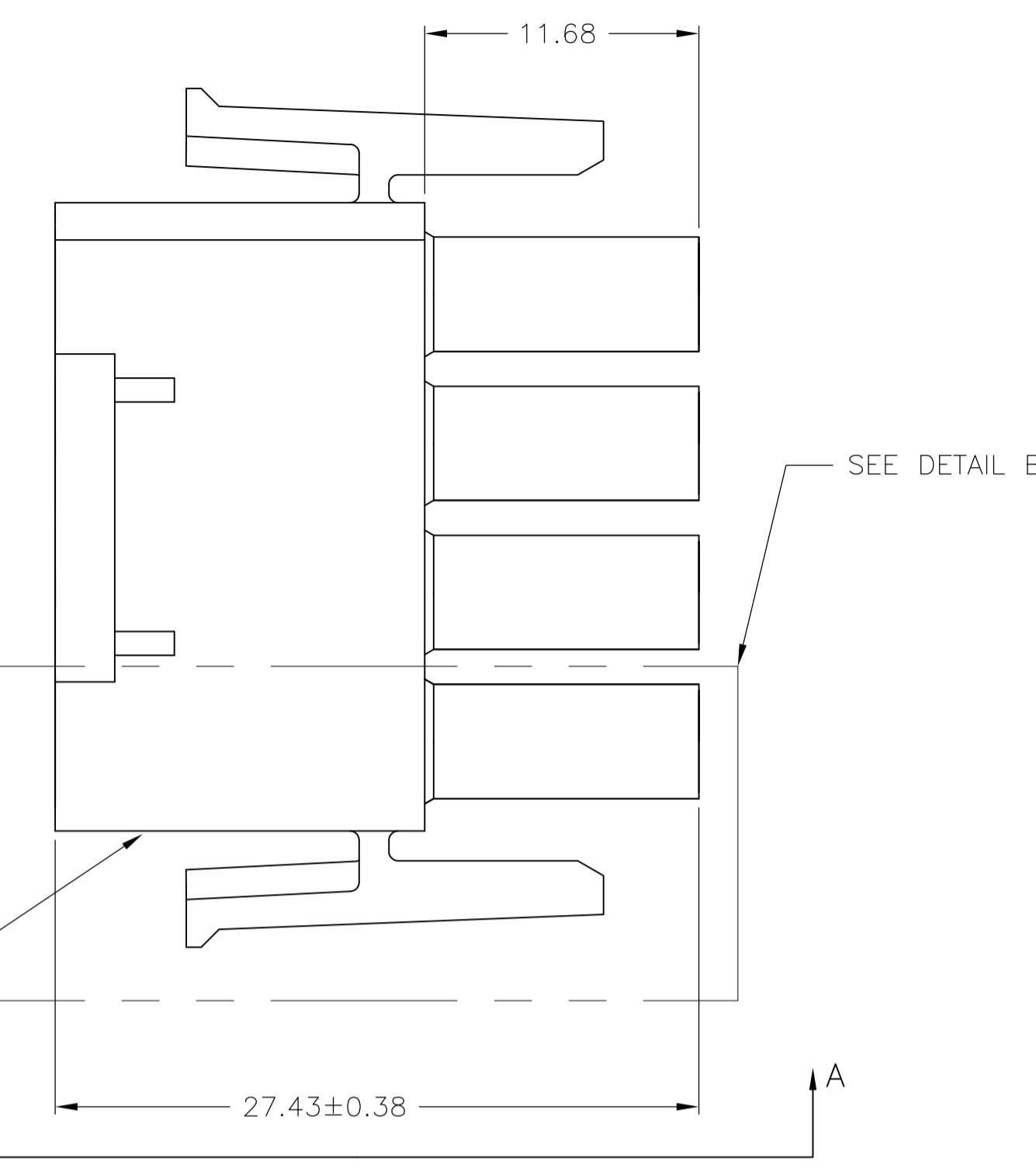
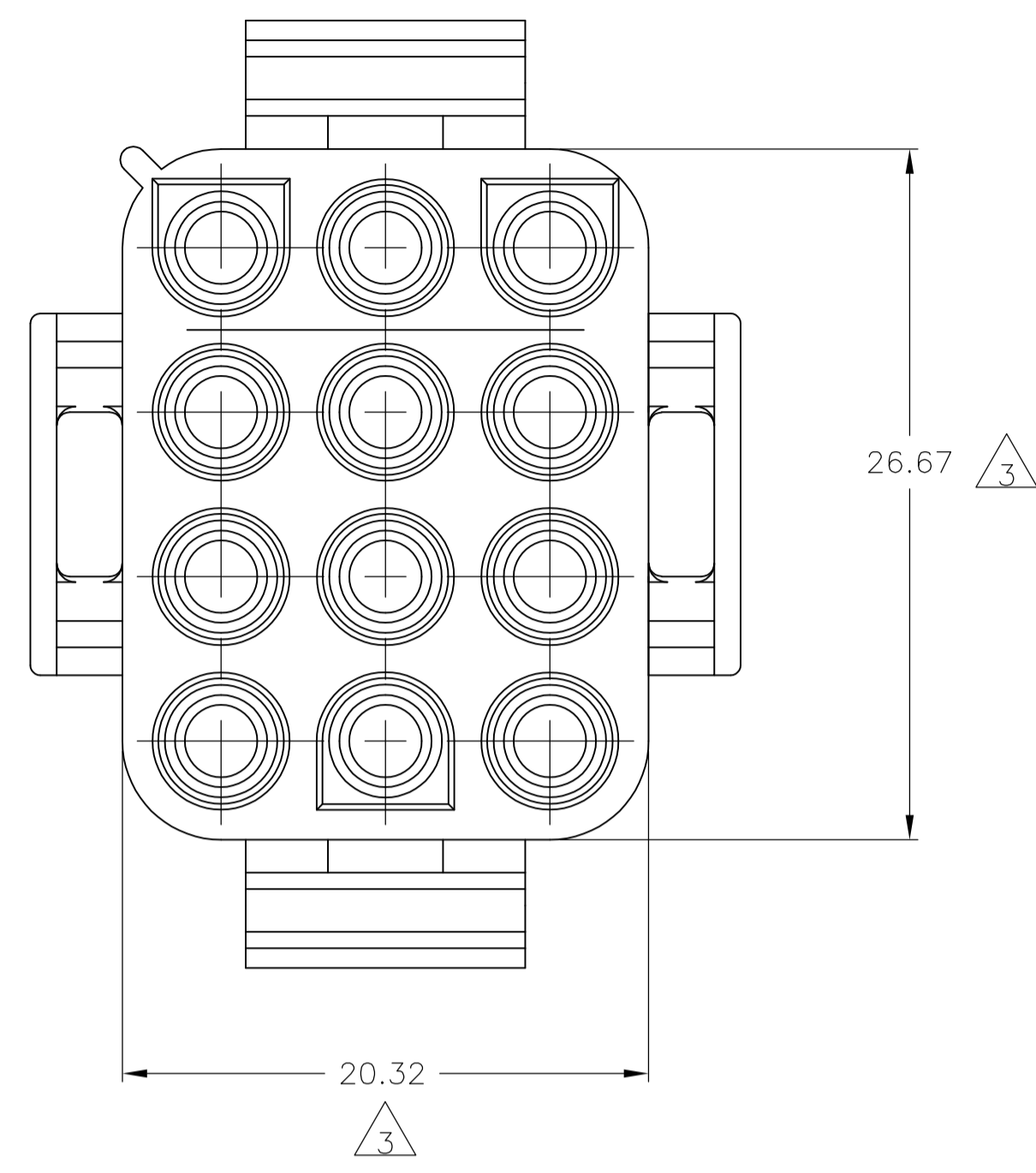


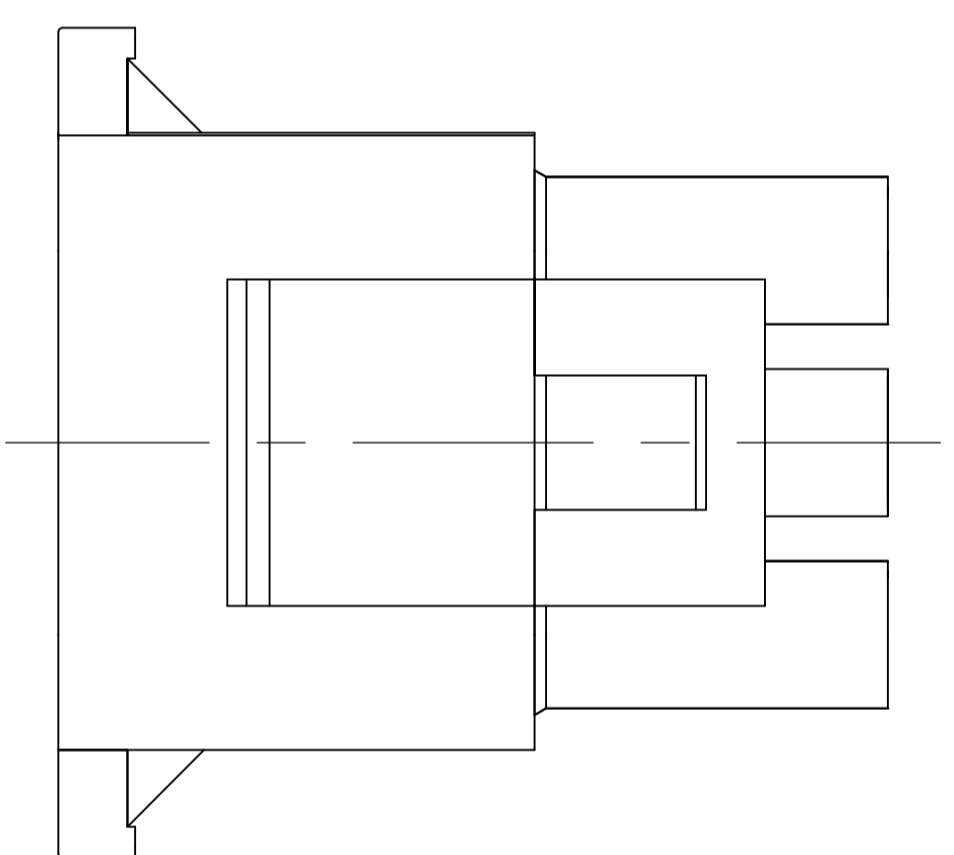
SEE DETAIL A



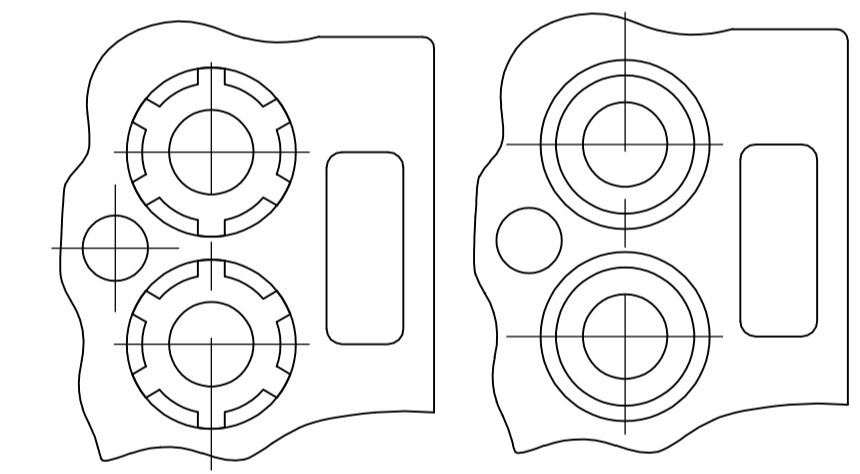
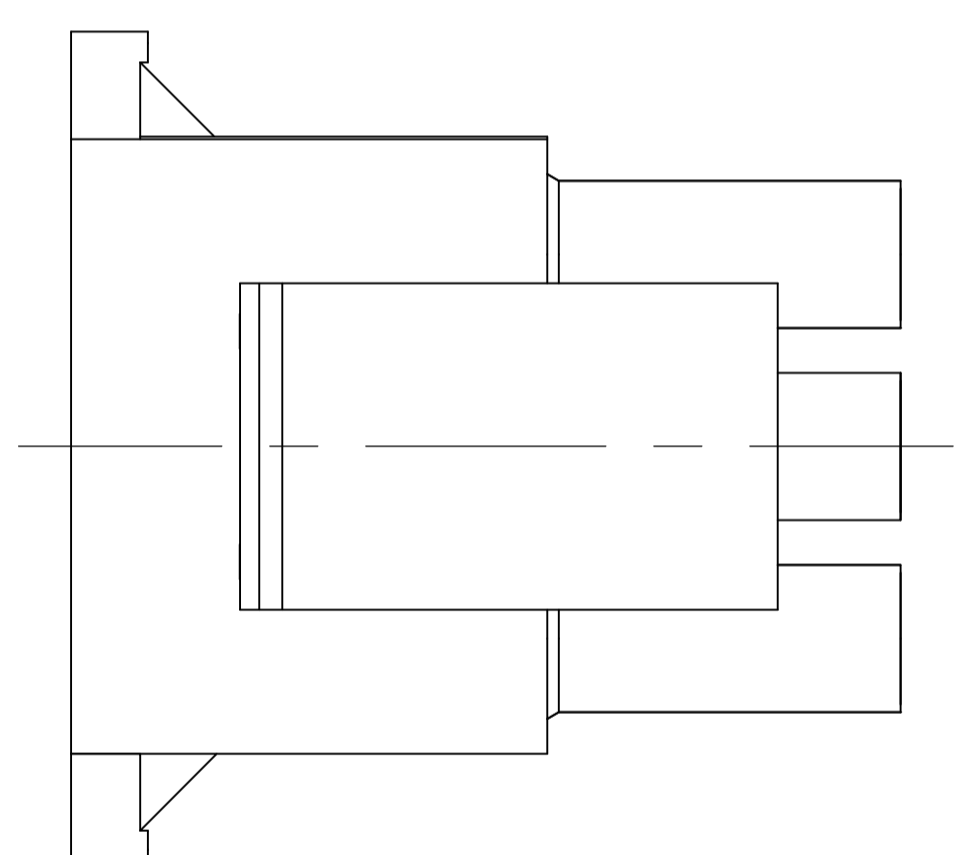
SEE DETAIL B



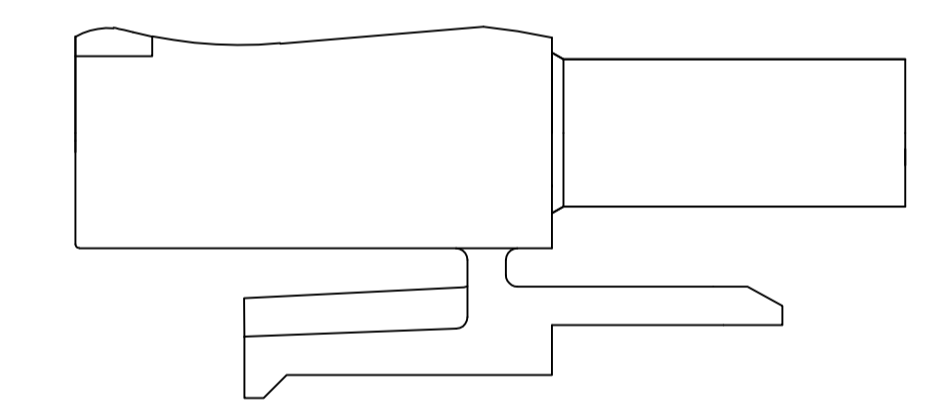
- MATES WITH APPROPRIATE UNIVERSAL MATE-N-LOK™ CAP OR HEADER.
 - SMALL NICKS ARE PERMITTED ON THE CIRCUIT TOWERS WHICH COULD INCREASE THE INITIAL HOUSING MATING FORCE BY UP TO 4.4 NEWTONS [1.0] LBS. NO INDIVIDUAL NICKED TOWER SHALL INCREASE THIS FORCE BY OVER 2.2 NEWTONS [.5] LBS.
- △3 DIMENSION INDICATED IS AS MOLDED. ADDITIONAL GROWTH DUE TO SUBSEQUENT MOISTURE ABSORPTION MAY OCCUR.
 - △4 FOUR RIBS EQUALLY SPACED, NO SPECIFIC ORIENTATION, NO RIBS OR SIX RIBS EQUALLY SPACED, NO SPECIFIC ORIENTATION, OPTIONAL.
 - △5 NOT MANUFACTURED IN U.S.
 - △6 UNDERWRITERS RECOGNIZED COMPONENT LOGO AND CSA CERTIFICATION LOGO TO BE LOCATED ONCE ON EACH SIDE OF HOUSING.



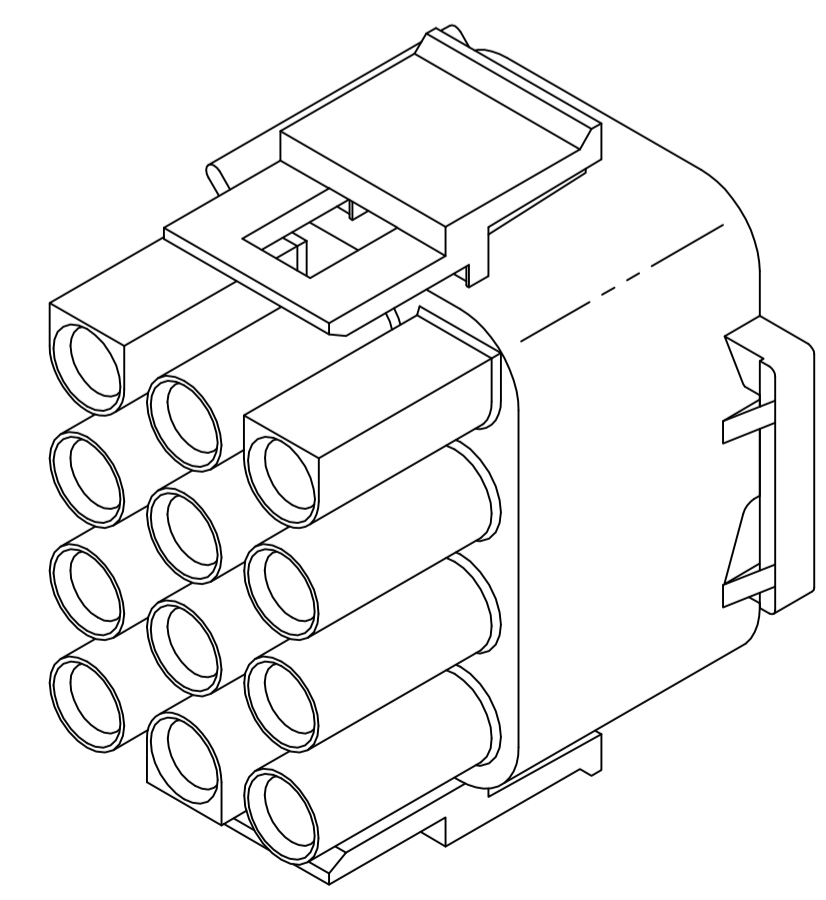
VIEW A-A
350735-4 ONLY



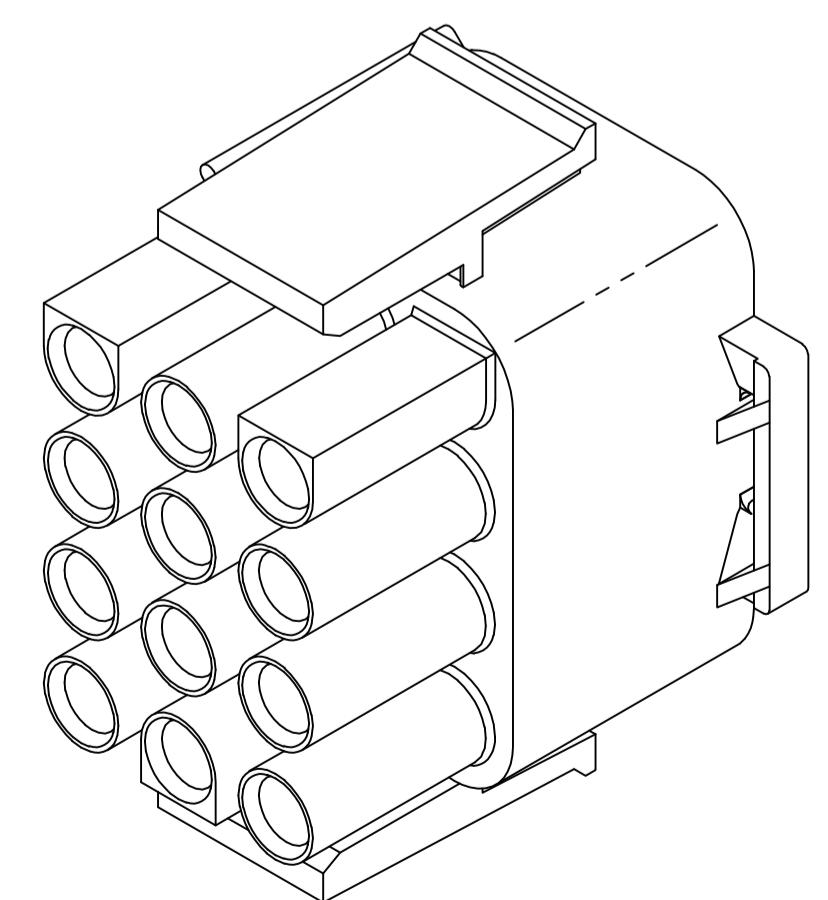
DETAIL A
OPTIONAL CONSTRUCTION



DETAIL B
350735-4 ONLY



350735-4 3-DIMENSIONAL MODEL
NOT TO SCALE

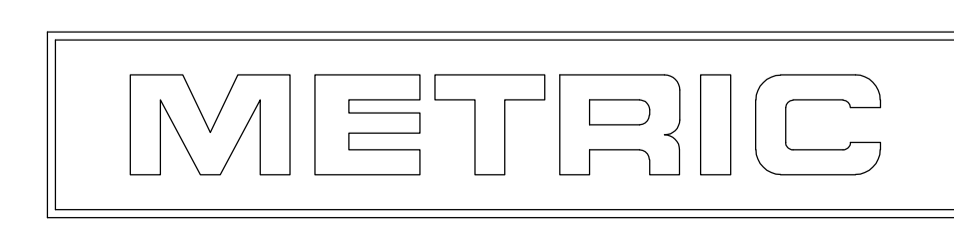


3-DIMENSIONAL MODEL
NOT TO SCALE

| | |
|-------|-------|
| 27.43 | 1.080 |
| 26.67 | 1.050 |
| 20.32 | .800 |
| 11.68 | .460 |
| 0.38 | .015 |
| 0.13 | .005 |
| MM | IN |

CONVERSION TABLE

| | |
|--------------------------|-------------|
| BLACK | 1-350735-9 |
| GRAY | 1-350735-8 |
| BLUE | 1-350735-6 |
| GREEN | 1-350735-5 |
| YELLOW | 1-350735-4 |
| ORANGE | 1-350735-3 |
| RED | 1-350735-2 |
| BROWN | 1-350735-1 |
| SUPERCEDED BY 1-350735-2 | |
| △5 | 350735-4 |
| NATURAL | 350735-1 |
| COLOR | PART NUMBER |



THIS DRAWING IS A CONTROLLED DOCUMENT.

| | | | | |
|----------------|--|------------------|-------------|---------------|
| DIMENSIONS: | TOLERANCES UNLESS OTHERWISE SPECIFIED: | DWG | K. WHITAKER | 23FEB06 |
| mm | 0. PLC ± - | CHK | S. RIDGILL | 23FEB06 |
| | 1. PLC ± - | APVD | S. RIDGILL | 23FEB06 |
| | 2. PLC ± 0.13 | PRODUCT SPEC | | |
| | 3. PLC ± - | APPLICATION SPEC | | |
| | 4. PLC ± - | SIZE | CAGE CODE | DRAWING NO |
| | ANGLES ± *30' | WEIGHT | | RESTRICTED TO |
| MATERIAL | FINISH | | | |
| NYLON,UL 94V-0 | | | | |

STE TE Connectivity

PLUG,
12 CIRCUIT,
UNIVERSAL MATE-N-LOK(TM)

SIZE: A1 00779 C=350735

CUSTOMER DRAWING SCALE: 4:1 SHEET 1 OF 1 REV W1