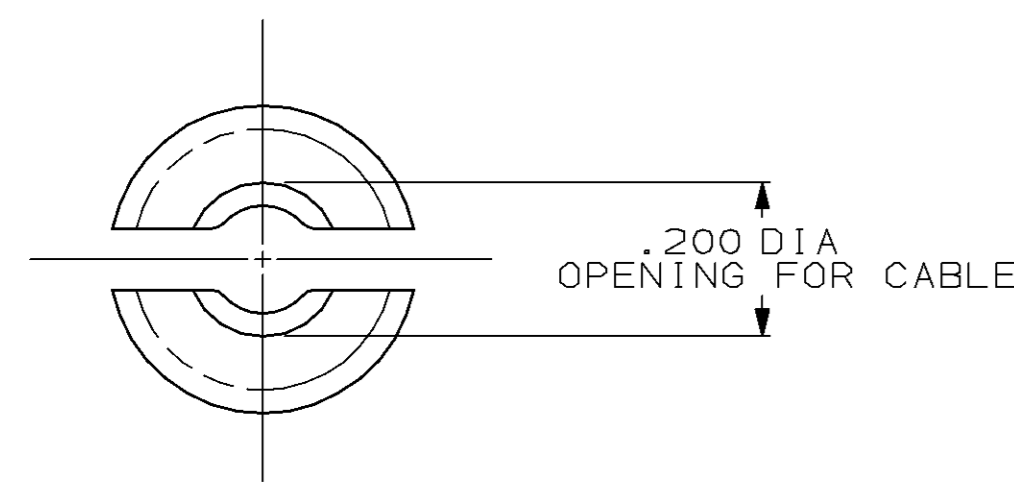
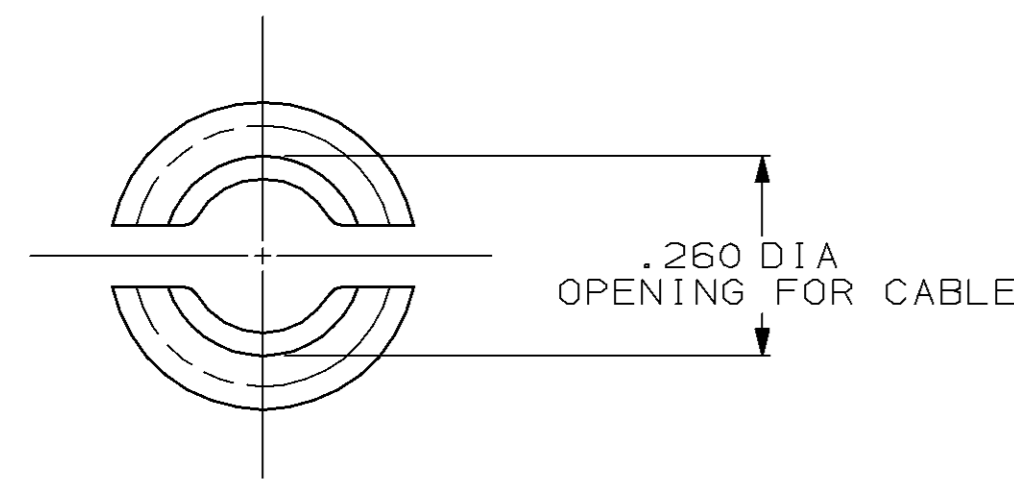


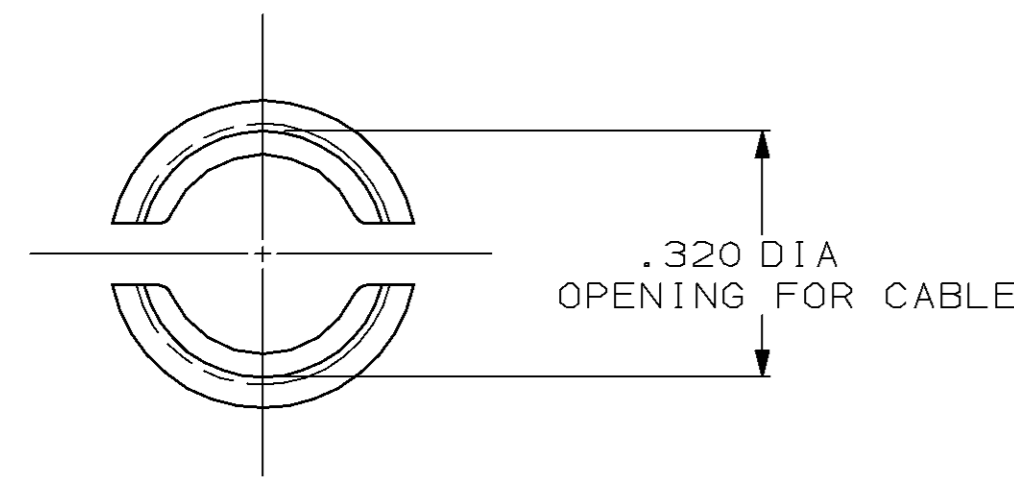
LOC		DIST		P		F		ZONE		LTR		REVISIONS			
BD			48									DESCRIPTION	DATE	APPD	
												A	REDRAWN ON CAD	5/11/90	-
												B	REV PER EC 0020-246-94	05/17/94	PR
												C	OBSOLETE -1 PER EC 0020-779-95	03 FEB 96	CS



SET 2A

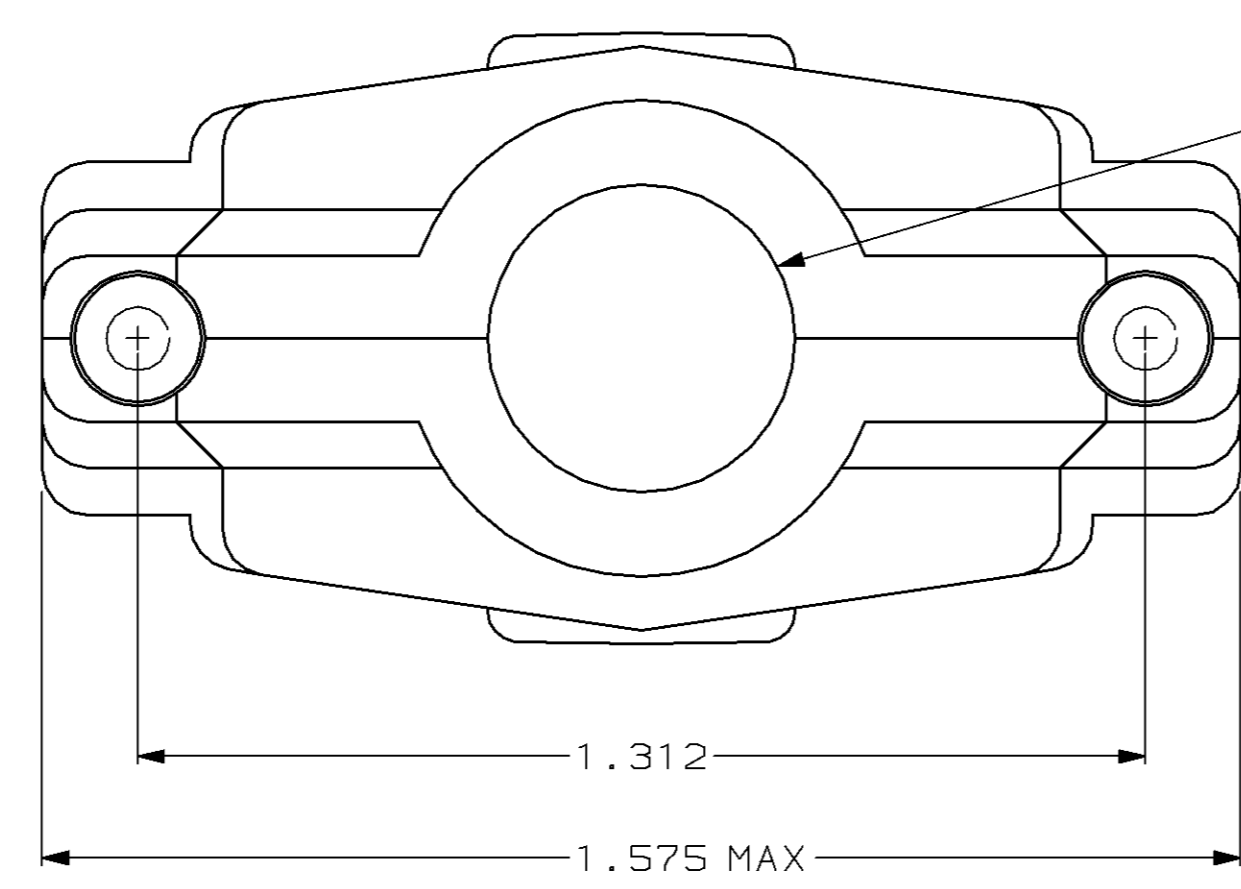


SET 2B

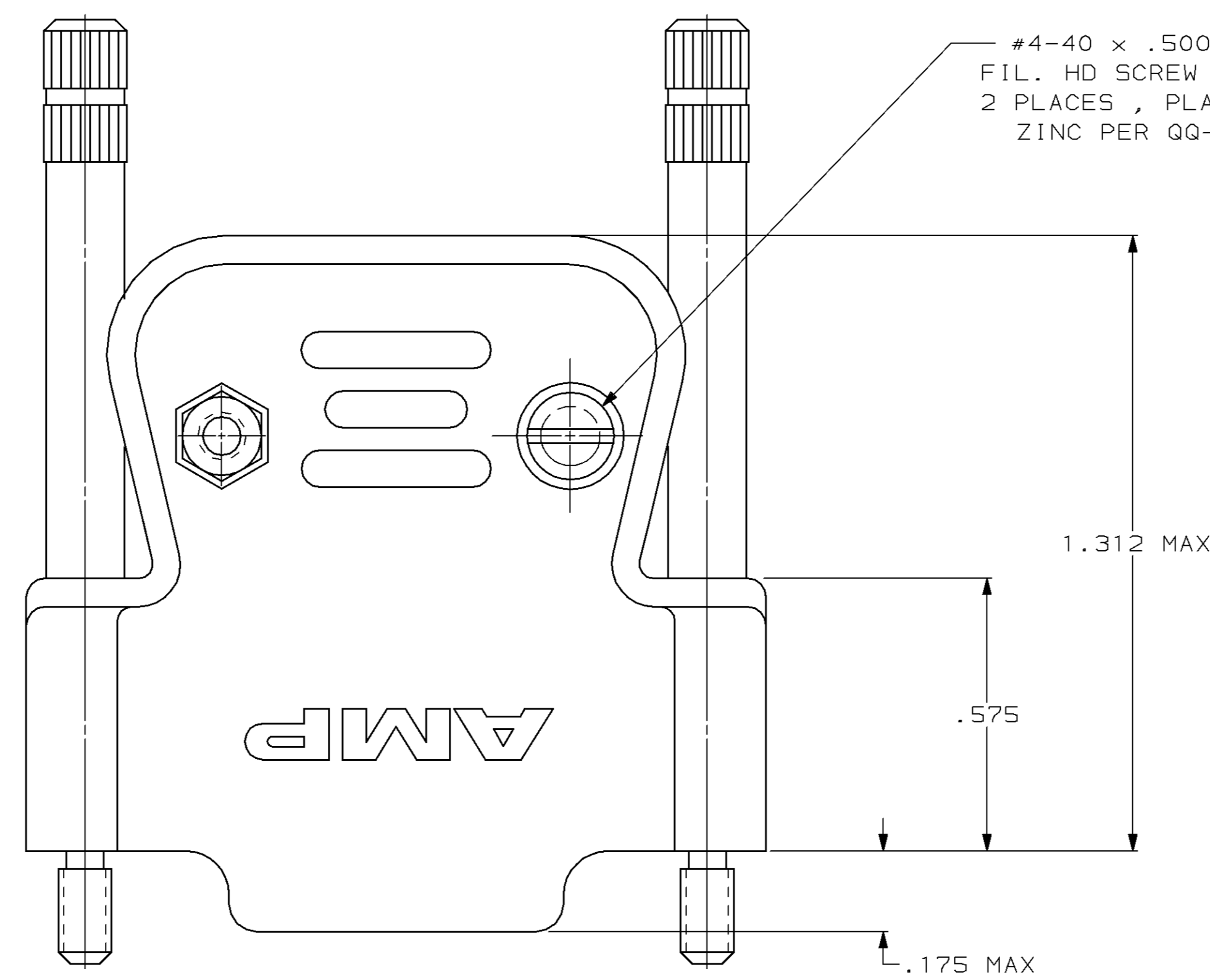


SET 2C

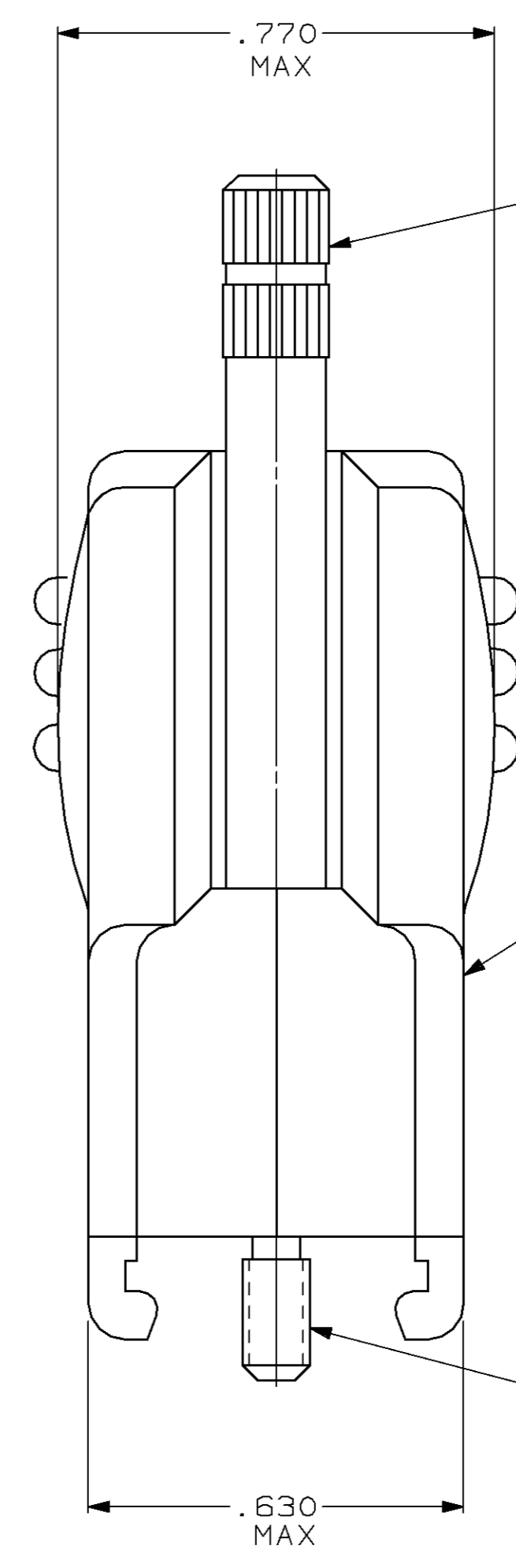
CABLE GATES



SEE CABLE GATES
NO CABLE GATE REQUIRED
FOR .400 DIA CABLE



#4-40 x .500 LONG STEEL
FIL. HD SCREW & HEX NUT
2 PLACES, PLATED CLEAR
ZINC PER QQ-Z-325



JACKSCREW 2 REQUIRED
SEE TABLE

CABLE CLAMP, 2 HALVES
MATERIAL-FLAME RETARDANT
BLACK NYLON

SEE TABLE FOR THREAD SIZE

- 1. PARTS PACKAGED UNASSEMBLED.
- 2. ZINC PER QQ-Z-325, BLACK.

OBSOLETE	4-40	PASSIVATED	STAINLESS STEEL	745122-2
	M3 x 0.5	2	STEEL	745122-1
	SCREW THREAD	FINISH	MATERIAL	PART NO
JACKSCREW				

DO NOT SCALE PRINT. UNLESS SPECIFIED DIMENSIONS IN MILLIMETERS TOLERANCES ON: 2 PLC DEC ± .005 3 PLC DEC ± .005 ANGLES ± .005		DR 5/11/90 A. STAUB BG CHK 6-15-90 W.G. LENKER APPD 7-10-90 J. WESTMAN APPD 7-16-90 J. ASSINI		AMP INCORPORATED Harrisburg, Pa. 17105	
SEE CALLOUT		PRODUCT SPEC		NAME CABLE CLAMP SIZE 2, 15 POSITIONS CONNECTOR WITH TURNABLE JACKSCREWS, AMPLIMITE™	
FINISH SEE CALLOUT		APPLICATION SPEC		SIZE D	FSCM NO 00779
		WEIGHT		DRAWING NO 745122	SHEET 1 OF 1