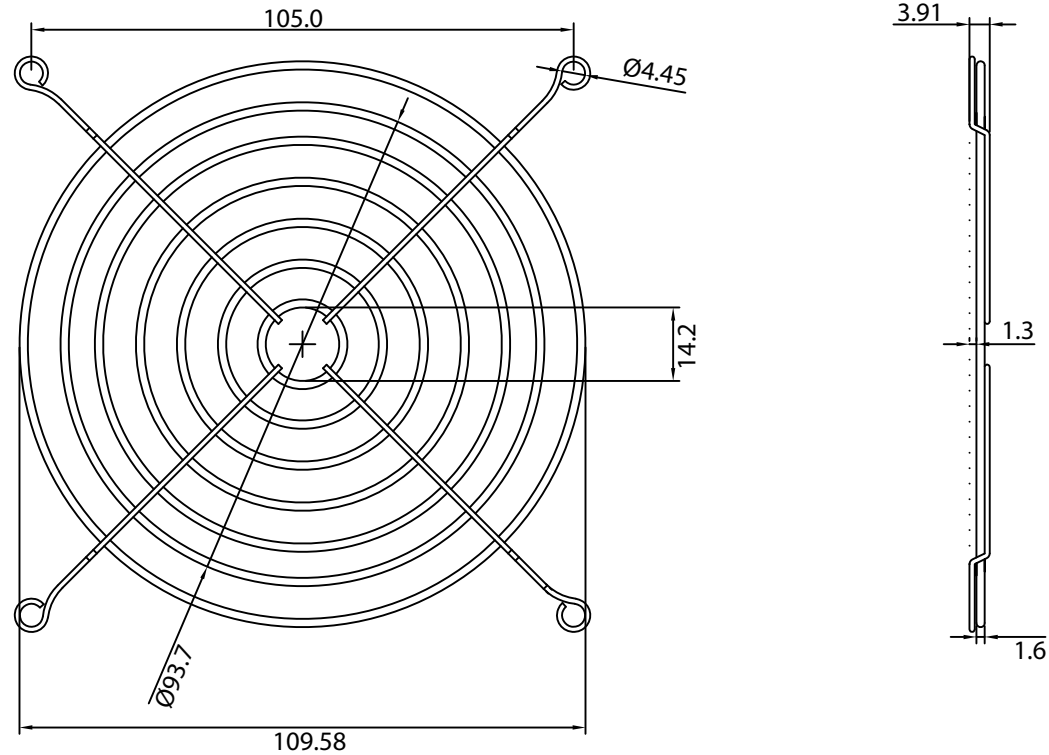


THESE DRAWINGS ARE THE PROPERTY OF QUALTEK ELECTRONICS AND NOT TO BE REPRODUCED FOR OR COMMUNICATED TO A THIRD PARTY WITHOUT THE EXPRESS WRITTEN PERMISSION OF AN OFFICER OF QUALTEK ELECTRONICS.

REVISION			
REV.	DESCRIPTION	DATE	APPROVED



CONTROLLED

NOTES:

1. MATERIAL: C1008 BRIGHT BASIC WIRE
2. FINISH: BRIGHT NICKEL CHROME PLATING
3. RINGS: $\text{Ø}1.6 \pm 0.1\text{mm}$
RIBS: $\text{Ø}1.0 \pm 0.1\text{mm}$
4. GENERAL TOLERANCE UNLESS NOTED $\pm 0.5\text{mm}$
5. RoHS COMPLIANT

Dim range (mm)	Tolerance +/- (mm)	Qualtek Electronics Corp. FAN-S DIVISION		
0-5	0.3	Part Number: 08729		RoHS Compliant
5-16	0.3	Description: WIRE FORM FAN GUARD		
16-64	0.5	RFQ# 6461	UNIT: mm	
64-250	1.0	Drawn / Date	Checked / Date	Approved / Date
250-1000	1.5	R.Nuti 09-18-17	09-18-17	LY / 09-18-17
1000-1500	1.5			