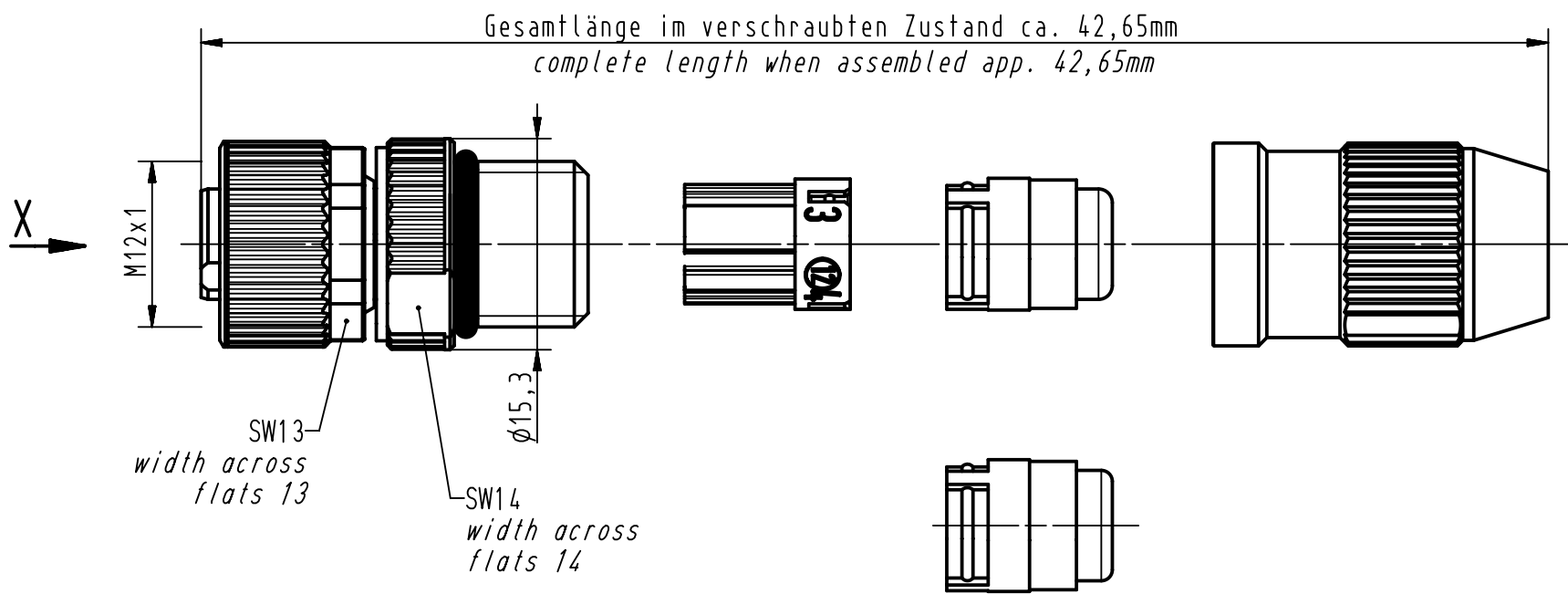


A

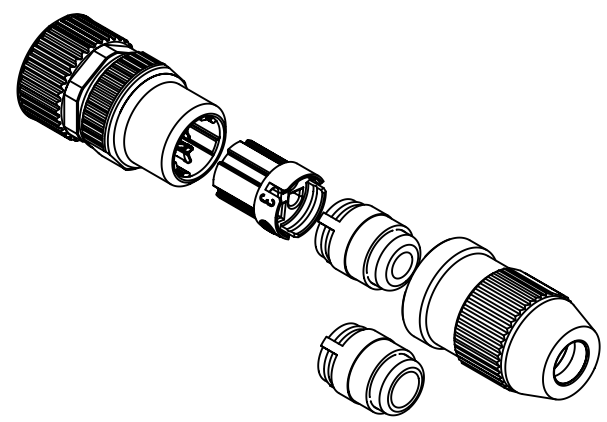
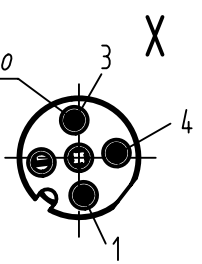
B

C

D



Steckgesicht n.  
Contact face acc. to  
IEC 61076-2-101



Leiterquerschnitt conductor cross section	0,14 - 0,34mm <sup>2</sup> AWG26-AWG22
Kabeldurchmesser cable outside diameter	2,9 - 5,1mm

	All rights reserved Department EC PD - DE	All Dimensions in mm Original Size DIN A4		Scale 2:1	Free size tol.	Ref. Sub.
		Created by DYCKC	Inspected by WELLMANN	Standardisation HOFFMANN	Date 2013-01-22	State Final Release
HARTING Electronics GmbH D-32339 Espelkamp		Title HARAX M12-S female 3-pole			Doc-Key / ECM-Nr. 100190978/UGD/002/C 5300000857470	
		Type TB	Number 21031112305		Rev. C	Page 1/1