

**PLEASE CHECK WWW.MOLEX.COM FOR LATEST PART INFORMATION**

**Part Number:** [19078-0130](#)  
**Status:** **Active**  
**Description:** MagKrimp™ Tooling Kit - Round Dies for 4,110-20,760 CMA

**Documents:**  
[RoHS Certificate of Compliance \(PDF\)](#)

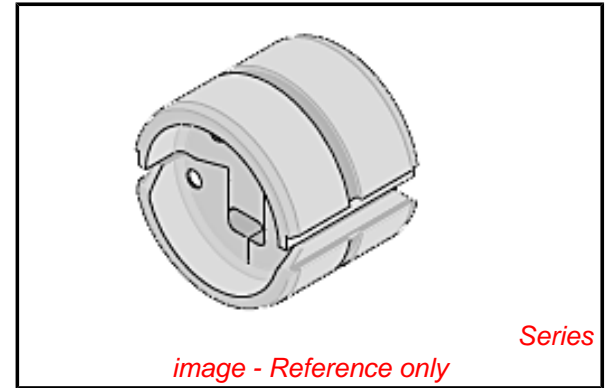
**General**

Product Family	Application Tooling
Series	<a href="#">T1722</a>
Function	Crimp
Geographic Area	Global
Level of Automation	Manual
More Detailed Tech Information	<a href="mailto:applicationtooling@molex.com">applicationtooling@molex.com</a>
Product Name	N/A
Survey	<a href="http://www.molex.com//review/apptool_survey.html">www.molex.com//review/apptool_survey.html</a>
Tool Type	N/A
UPC	800755074307

**Material Info**

**Reference - Drawing Numbers**

Application Tooling Documents	ATS-190780130
-------------------------------	---------------



*image - Reference only*

<b>EU RoHS</b>	<b>China RoHS</b>
----------------	-------------------

**Compliance Status**

**Not Reviewed**

**REACH SVHC**

**Not Reviewed**

**Low-Halogen Status**

**Not Reviewed**

**Need more information on product environmental compliance?**

Email [productcompliance@molex.com](mailto:productcompliance@molex.com)  
 For a multiple part number RoHS Certificate of Compliance, [click here](#)

Please visit the [Contact Us](#) section for any non-product compliance questions.

**Search Parts in this Series**

[T1722Series](#)

**Use With**

[190780129](#) , [190780122](#)

<b>Application Tooling</b>	<b>FAQ</b>
<b>Description</b>	<b>Product #</b>

MagKrimp™ Piercing Splice 4,110 - 20,760 Circular Mil Area, Plated	0191951002
---	------------

MagKrimp™ Square Ring Tongue Terminal for 10-14 AWG Magnet Wire, 4,100-20,760 Circular Mil Area, Stud Size 10 (M5), Plated	0191951006
---	------------

MagKrimp™ Square Ring Tongue Terminal for 10-14 AWG Magnet Wire, 4,110-20,760	0191951012
---	------------

Circular Mil Area,  
Stud Size 1/4" (M6),  
Plated  
MagKrimp™ Spade 0191951115  
Tongue Terminal for  
10-14 AWG Magnet  
Wire, Stud Size 10  
(M5), Plated

This document was generated on 03/08/2013

**PLEASE CHECK [WWW.MOLEX.COM](http://WWW.MOLEX.COM) FOR LATEST PART INFORMATION**