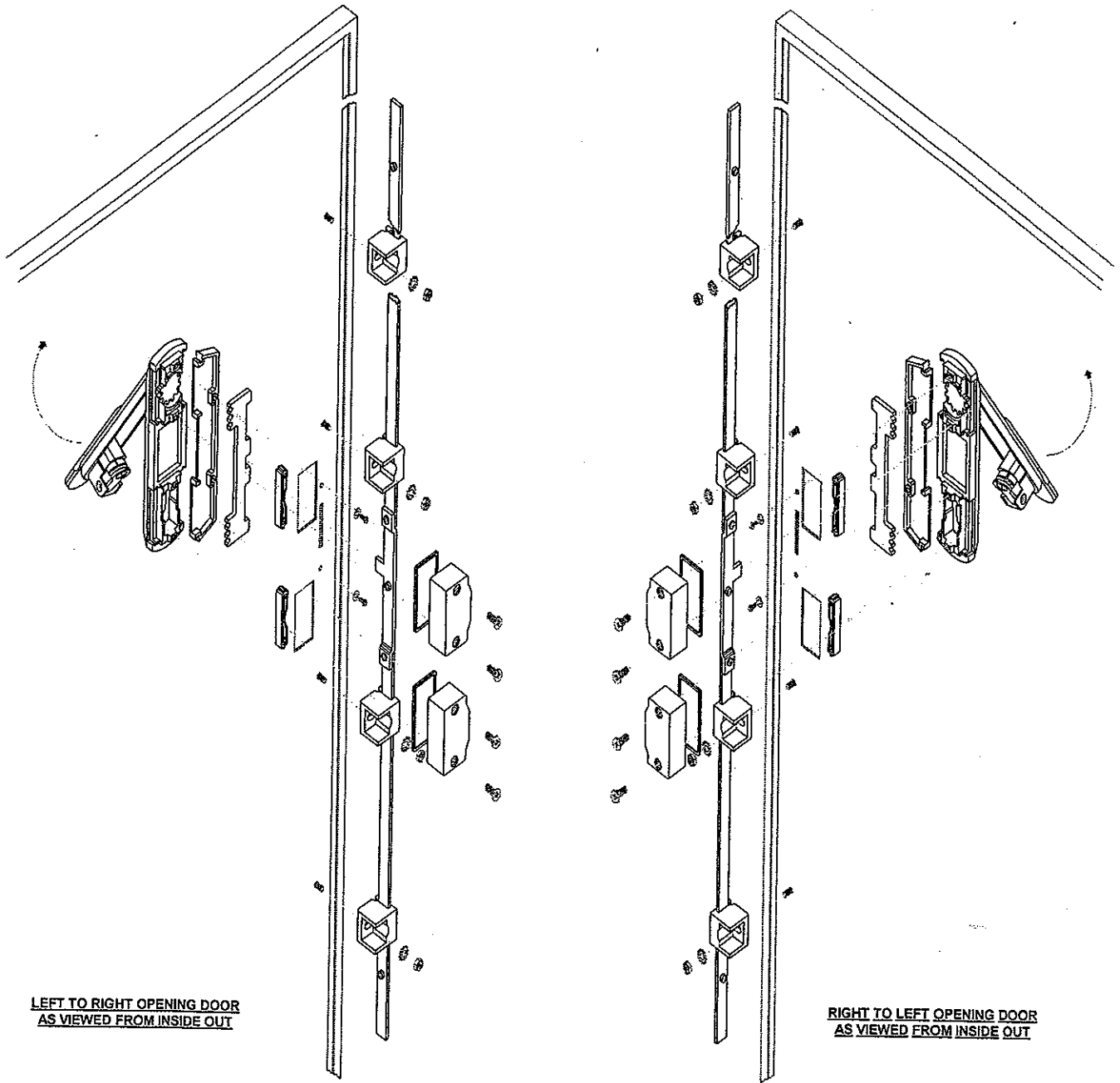


## SURFACE MOUNT DOOR LEFT TO RIGHT HINGE ASSEMBLY FOR SWING LOCK APPLICATIONS

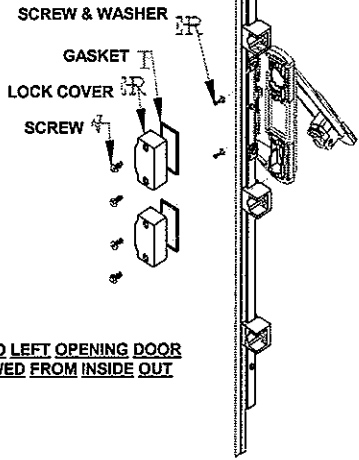


LEFT TO RIGHT OPENING DOOR  
AS VIEWED FROM INSIDE OUT

RIGHT TO LEFT OPENING DOOR  
AS VIEWED FROM INSIDE OUT

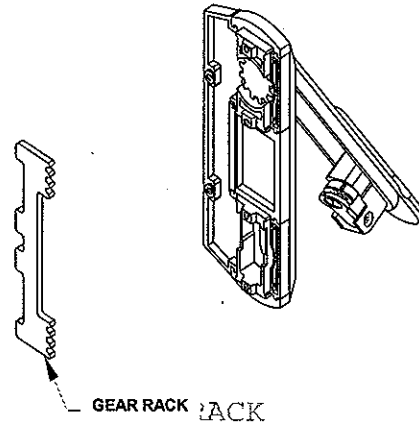
**STEP NO. 1**

- A) REMOVE 6 SCREWS AND 2 WASHERS AS INDICATED BELOW
- B) REMOVE 2 LOCK COVERS AND GAS-KETS



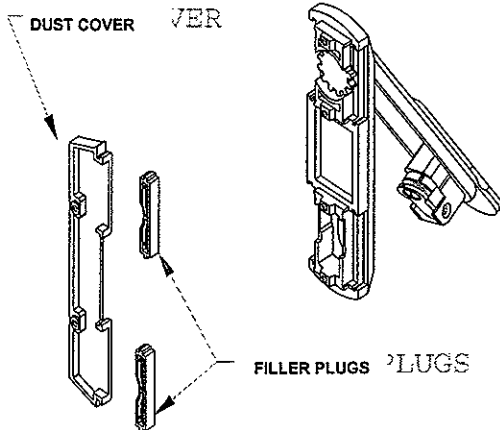
**STEP NO. 2**

- A) REMOVE FRONT LOCK ASSEMBLY FROM DOOR PANEL
- B) REMOVE GEAR RACK AS SHOWN.



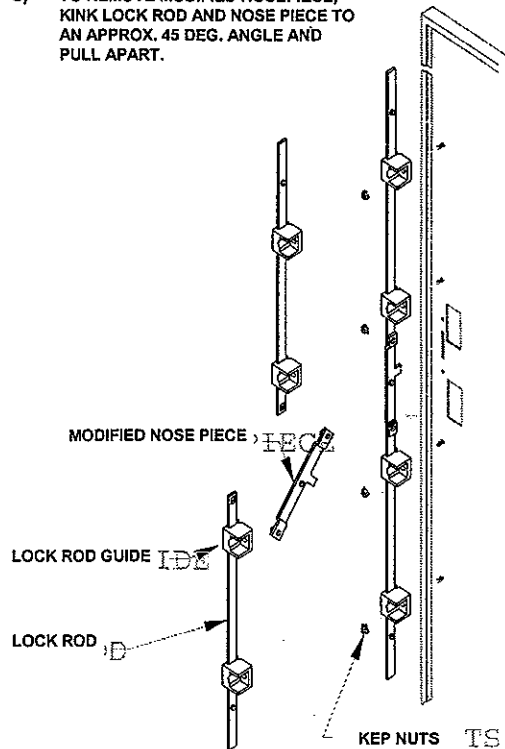
**STEP NO. 3**

- A) REMOVE DUST COVER AND THE TWO FILLER PLUGS AS SHOWN.
- B) **NOTE:** BOTH COVER AND PLUGS ARE MOUNTED IN SLOTS AND MUST BE REMOVED IN DIRECTION SHOWN.



**STEP NO. 4**

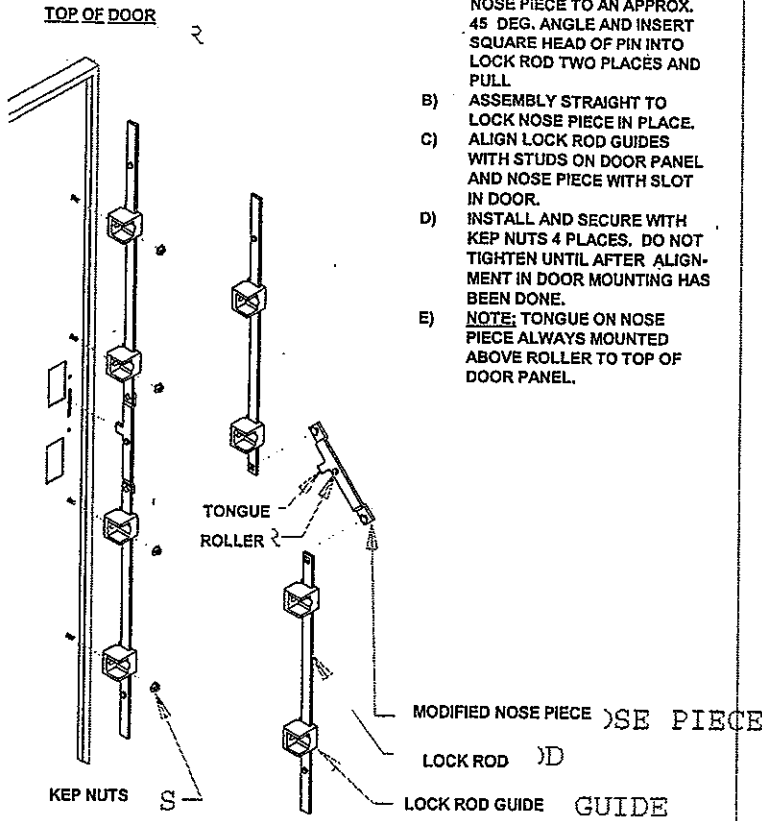
- A) REMOVE KEP NUTS 4 PLACES AS SHOWN BELOW
- B) REMOVE THE LOCK ROD, MODIFIED NOSE PIECE AND LOCK ROD GUIDE AS A COMPLETE UNIT.
- C) TO REMOVE MODIFIED NOSEPIECE, KINK LOCK ROD AND NOSE PIECE TO AN APPROX. 45 DEG. ANGLE AND PULL APART.



<p><b>Tool Box</b></p>	<p>#2 Phillips Head Screw Driver</p>	<p>10mm Socket Wrench or Driver</p>
------------------------	--------------------------------------	-------------------------------------

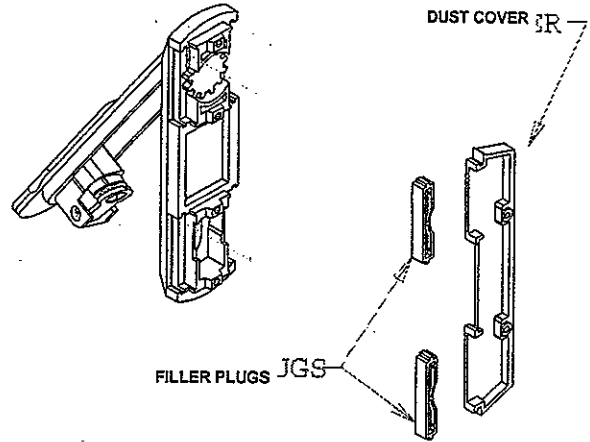
**STEP NO. 5**

- A) TO REINSTALL MODIFIED NOSE PIECE, KINK LOCK ROD AND NOSE PIECE TO AN APPROX. 45 DEG. ANGLE AND INSERT SQUARE HEAD OF PIN INTO LOCK ROD TWO PLACES AND PULL
- B) ASSEMBLY STRAIGHT TO LOCK NOSE PIECE IN PLACE.
- C) ALIGN LOCK ROD GUIDES WITH STUDS ON DOOR PANEL AND NOSE PIECE WITH SLOT IN DOOR.
- D) INSTALL AND SECURE WITH KEP NUTS 4 PLACES. DO NOT TIGHTEN UNTIL AFTER ALIGNMENT IN DOOR MOUNTING HAS BEEN DONE.
- E) **NOTE:** TONGUE ON NOSE PIECE ALWAYS MOUNTED ABOVE ROLLER TO TOP OF DOOR PANEL.



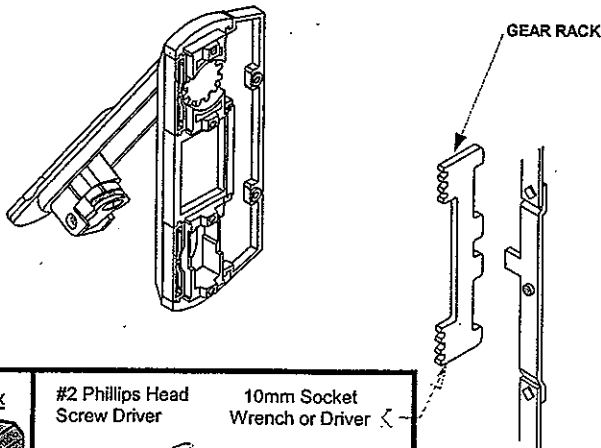
**STEP NO. 6**

- A) INSTALL DUST COVER AND THE TWO FILLER PLUGS AS SHOWN.
- B) **NOTE:** BOTH COVER AND PLUGS ARE MOUNTED IN SLOTS AND MUST BE INSTALLED IN DIRECTION SHOWN.



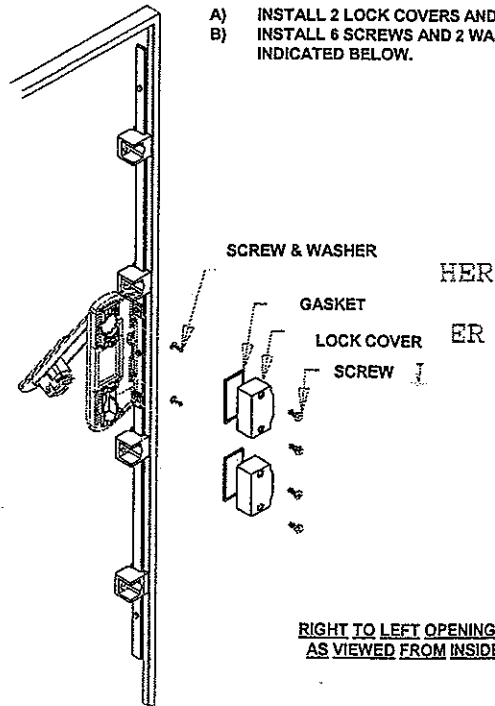
**STEP NO. 7**

- A) MOUNT FRONT LOCK ASSEMBLY INTO DOOR PANEL, THEN WITH HANDLE IN LOCKED POSITION INSTALL RACK GEAR TIGHT TO TOP OF HANDLE DUST COVER.
- B) **NOTE:** THE TONGUE OF MODIFIED NOSE PIECE IS TO BE INSERTED INTO GROOVE ON GEAR RACK. SEE BELOW.



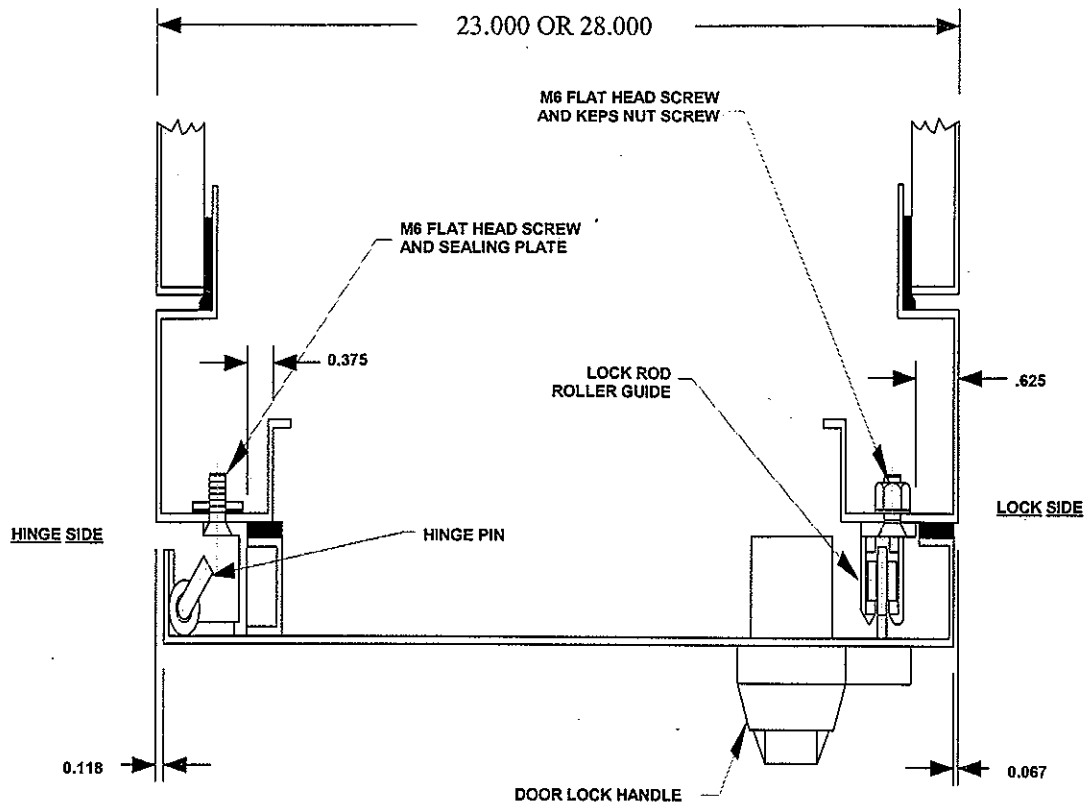
**STEP NO. 8**

- A) INSTALL 2 LOCK COVERS AND GASKETS.
- B) INSTALL 6 SCREWS AND 2 WASHERS AS INDICATED BELOW.



**RIGHT TO LEFT OPENING DOOR AS VIEWED FROM INSIDE OUT**

<b>Tool Box</b> 	<b>#2 Phillips Head Screw Driver</b> 	<b>10mm Socket Wrench or Driver</b> 
---------------------	--	---



**REMOUNTING DOOR INSTRUCTIONS**

- A) REMOVE DOOR BY PULLING OUT THE HINGE PINS ( 3 PLACES ) NOTE: DOOR PANELS ARE SYMMETRICAL AND THE DOOR MOUNTING HARDWARE IS ALSO SYMMETRICAL EXCEPT FOR AS NOTED.
- B) REMOVE HINGE FROM RACK THREE PLACES AND ALSO REMOVE LOCK ROD ROLLER GUIDES 3 PLACES.
- C) WITH DOOR PANEL OFF, PROCEED WITH LOCK ASSOCIATED HARDWARE CHANGES AS NOTED IN STEPS 1 THRU 8.
- D) REMOUNT DOOR HINGE HARDWARE IN SAME MANNER AS WAS REMOVED WITH BARREL OF HINGE ORIENTED TOWARDS OUTSIDE OF RACK SURFACE. NOTE: THE SEALING PLATE MUST REMAIN WITH INSTALLATION OF HINGE TO MAINTAIN THE NEMA 12 RATING.
- E) DOOR HINGE TO BE TIGHTENED IN PLACE USING THE M6 FLAT HEAD SCREWS AND SEALING PLATE MAINTAINING A DIMENSION OF 3/8" FROM INSIDE FRAME VERTICAL POST AS INDICATED ABOVE. TYPICAL 3 PLACES.
- F) REMOUNT LOCK ROD ROLLER GUIDES USING THE M6 FLAT HEAD SCREWS AND THE M6 KEPS NUTS. **DO NOT TIGHTEN** THE ROLLER GUIDE IN PLACE AT THIS POINT. TEMPORARILY MOUNT IN PLACE 5/8" IN FROM THE OUTSIDE EDGE OF THE VERTICAL POST TO THE WIDE SIDE OF THE ROLLER GUIDE BASE.
- G) REMOUNT DOOR USING HINGE PINS TO SECURE IN PLACE. CAREFULLY SWING DOOR TOWARDS LOCKED POSITION. CHECK AT THIS POINT FOR LOCK ROD TO ROLLER GUIDE OR BY MOVING LOCK ROD GUIDE THAT IS MOUNTED TO DOOR PANEL 4 PLACES. THE LOCK ROD SHOULD ENGAGE WITHOUT ANY INTERFERENCE, WHEN THIS HAS BEEN ACHIEVED, TIGHTEN IN PLACE BOTH THE LOCK ROD GUIDES ( 4 PLACES ) AND THE LOCK ROD ROLLER GUIDES ( 3 PLACES ).
- H) **NOTE:** THE DOOR LOCK HANDLE ALWAYS SWINGS FROM THE LOCKED POSITION TOWARDS THE HINGE SIDE OF DOOR FOR THE OPEN POSITION.

