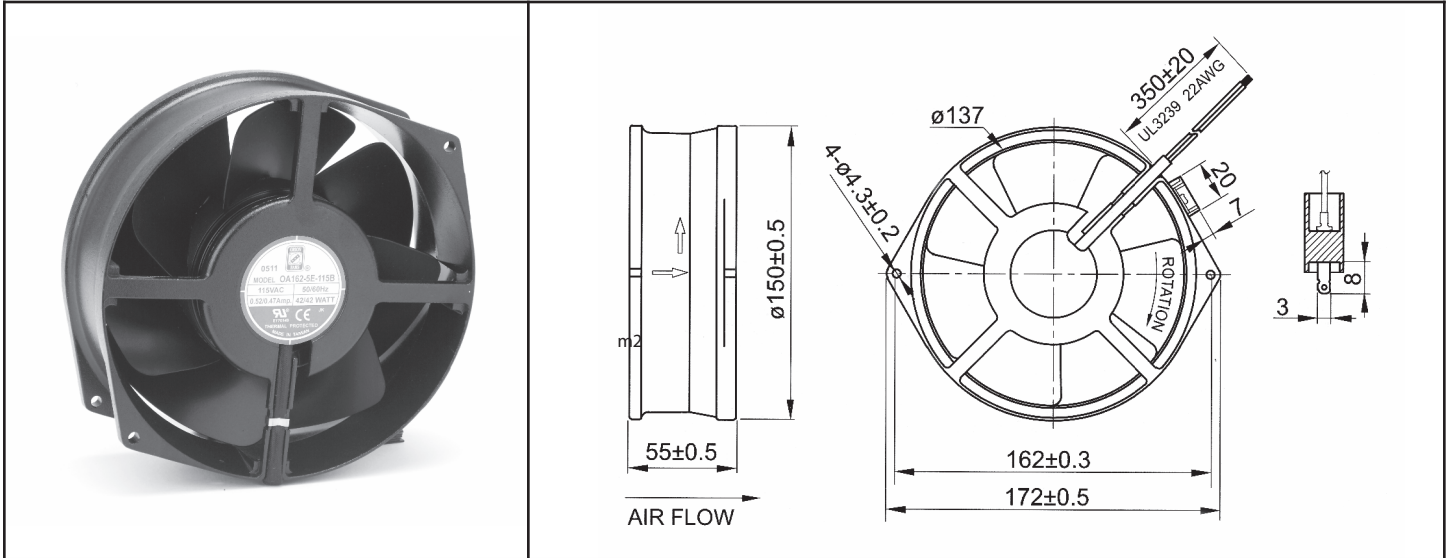


OA162 Series



AC Fan - 115V, 230V
172 x 55mm (6.7" x 2.2")



| | | | |
|-----------------------|--|--|--|
| Frame & Impeller | Diecast Aluminum | <p><u>Operating Temperature</u> Ball Bearing -40C ~ +70C Storage Temp -40C ~ +80C</p> <p><u>Life Expectancy</u> Ball Bearing 60,000 hours (L10 at 40C)</p> <p>Weight: ~ 2.4 lbs. *230V version comes with 610mm(24") leads</p> | |
| Connection | Terminals or Lead Wires | | |
| Motor | Shaded Pole, thermally protected | | |
| Bearing System | Dual ball (Sleeve available) | | |
| Insulation Resistance | >100M ohm between lead-wire and frame (500VDC) | | |
| Dielectric Strength | 1 min at 1500 VAC, 50/60Hz | | |

| | | |
|----------------------|------------------------|------------------------|
| Part Number | OA162-5E-115-WB | OA162-5E-230-WB24* |
| Nominal Voltage | 115 VAC | 230 VAC |
| Voltage Range | 80 ~ 130 VAC | 160 ~ 260 VAC |
| Rated Power | 31 W (60Hz) | 31 W (60Hz) |
| Rated Speed (RPM) | 3400 | 3400 |
| Airflow (CFM) | 241 | 241 |
| Noise Level (dB) | 66 | 66 |
| Max. Static Pressure | 0.73" H ₂ O | 0.73" H ₂ O |