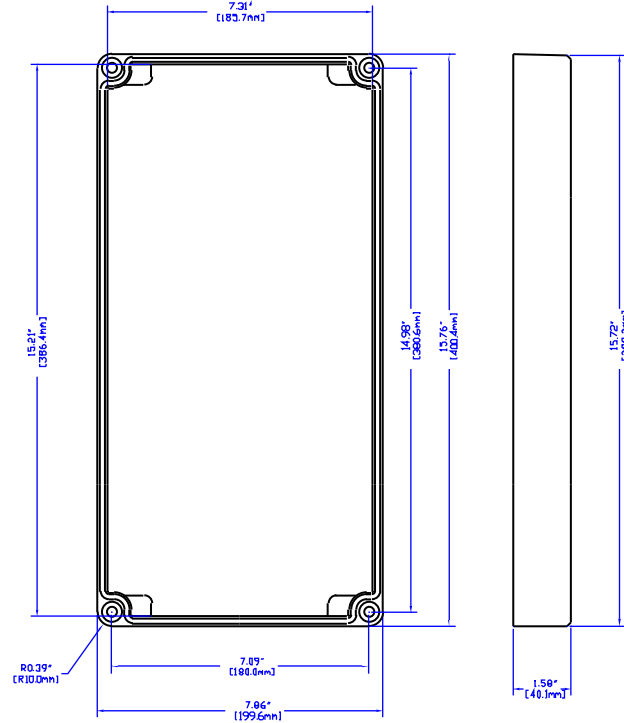
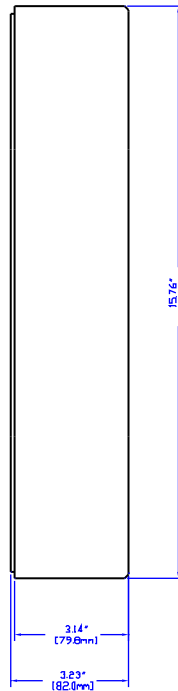
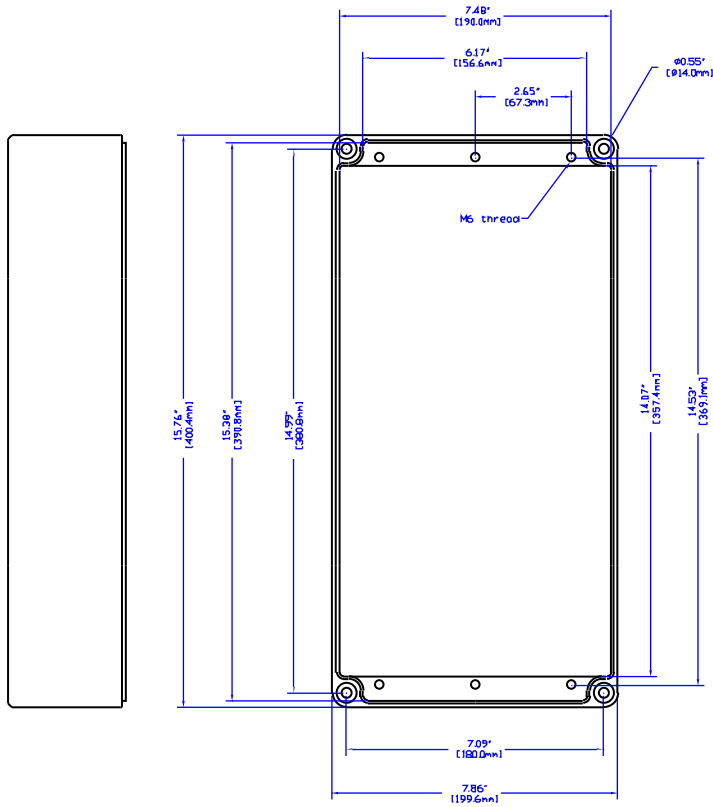
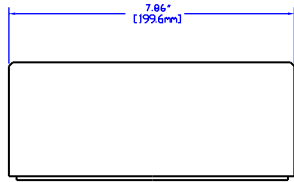


NOTES

MATERIAL - DIECAST ALUMINUM ALLOY
 - FOUR M4 CAPTIVE SCREWS

POWDER COATED - Col. RAL 7032
 GASKET - POLYURATHANE
 -40°C TO +80°C TEMP. RANGE



VIEW OF LID <INSIDE>



VIEW OF BOX <LID REMOVED>



HAMMOND MANUFACTURING
 R100-204-000

CANADA - PH (519) 886 7170 - FAX (519) 886 8311
 U.S.A. - PH (716) 631 5700 - FAX (716) 631 1156