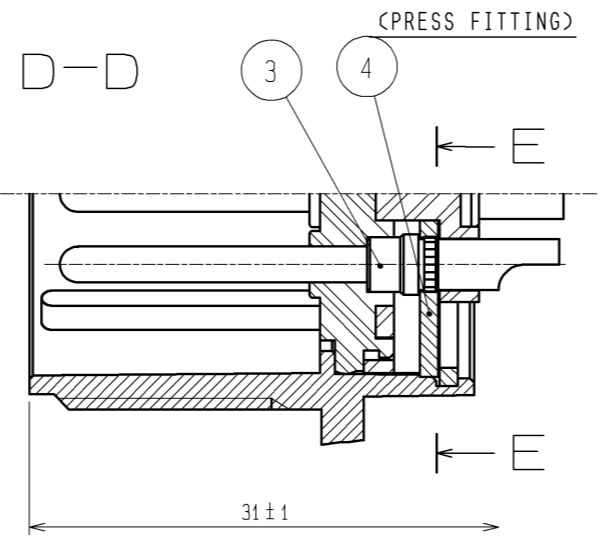
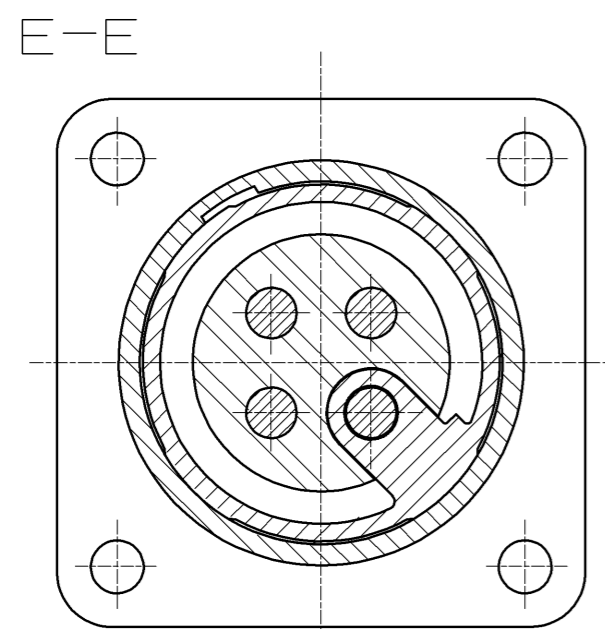
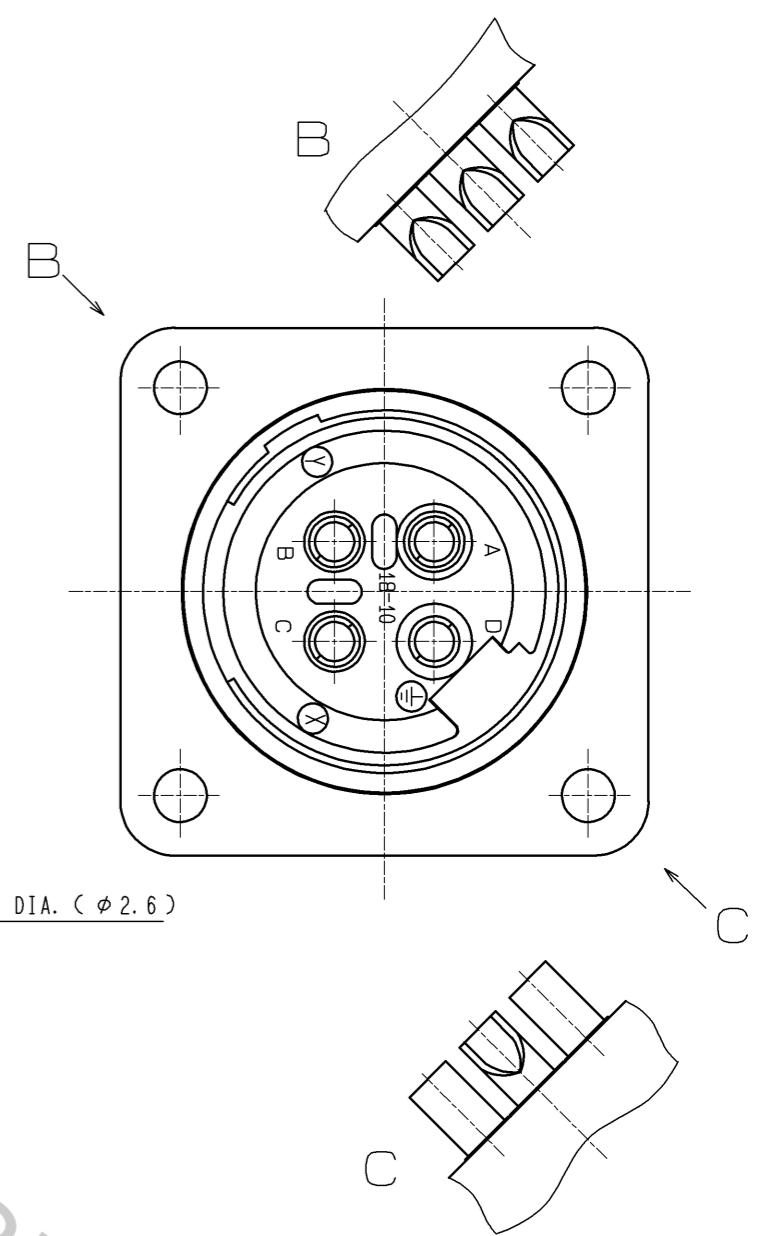
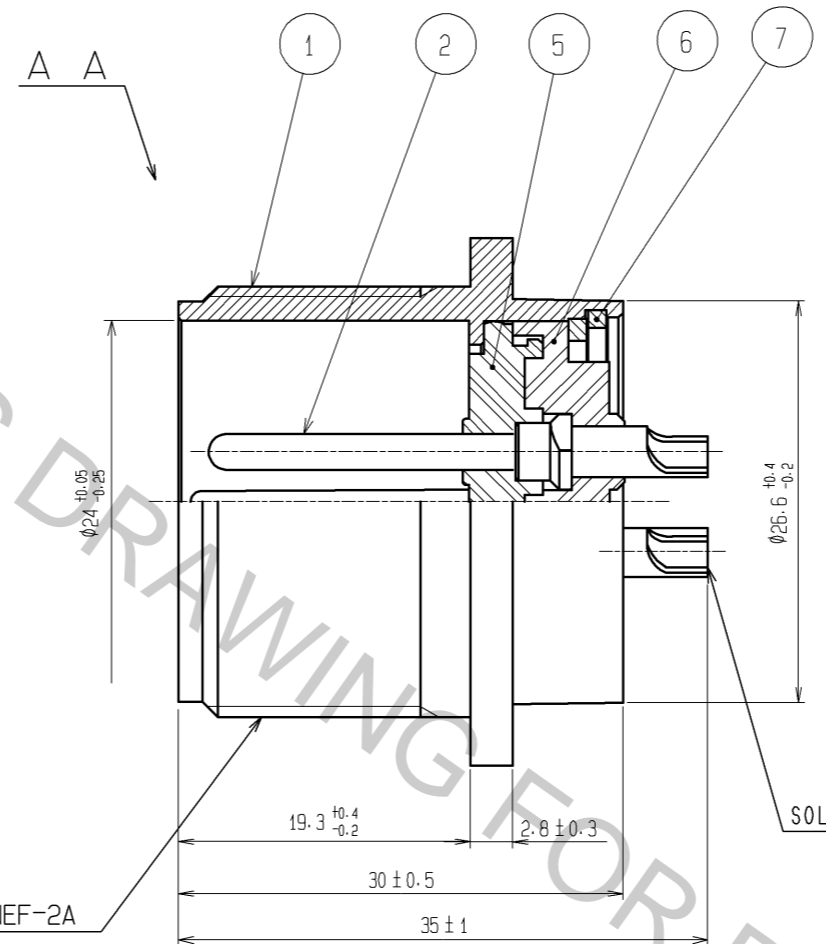
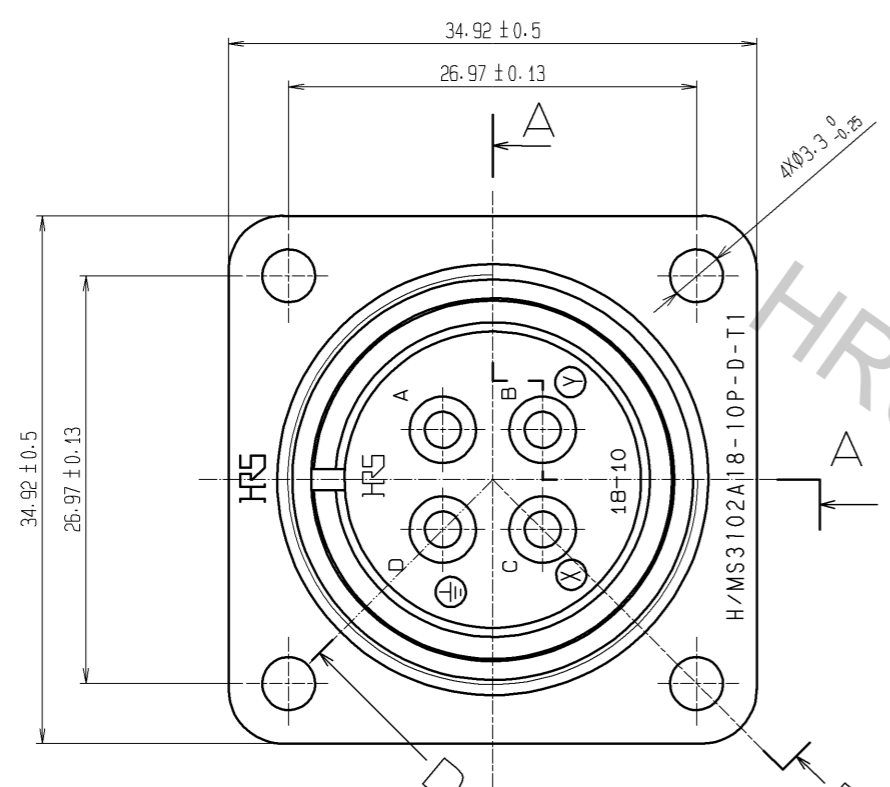


Aug.1.2018 Copyright 2018 HIROSE ELECTRIC CO., LTD. All Rights Reserved.
 In case that the application demands a high level of reliability, such as automotive,
 please contact a company representative for further information.



NO.	MATERIAL	FINISH . REMARKS	NO.	MATERIAL	FINISH . REMARKS
4	BRASS	NICKEL PLATING			
3	BRASS	SILVER PLATING 3μm min.	7	PHOSPHOR BRONZE	NICKL PLATING
2	BRASS	SILVER PLATING 3μm min.	6	PPS	BLACK UL94V-0
1	ALMINUM ALLOY	BLACK CHROMATE TREATMENT (TRIVALENT CHROMIUM)	5	SIR	BLACK

UNITS	SCALE	COUNT	DESCRIPTION OF REVISIONS	DESIGNED	CHECKED	DATE
mm	2 : 1	△				
APPROVED : EJ. KUNII			13. 01. 21	DRAWING NO. EDC3-113100-73		
CHECKED : EJ. KUNII			13. 01. 21	PART NO. H/MS3102A18-10P-D-T1(73)		
DESIGNED : HY. KISHI			13. 01. 21	CODE NO. CL120-0259-5-73		
DRAWN : HY. KISHI			13. 01. 21	1/1		