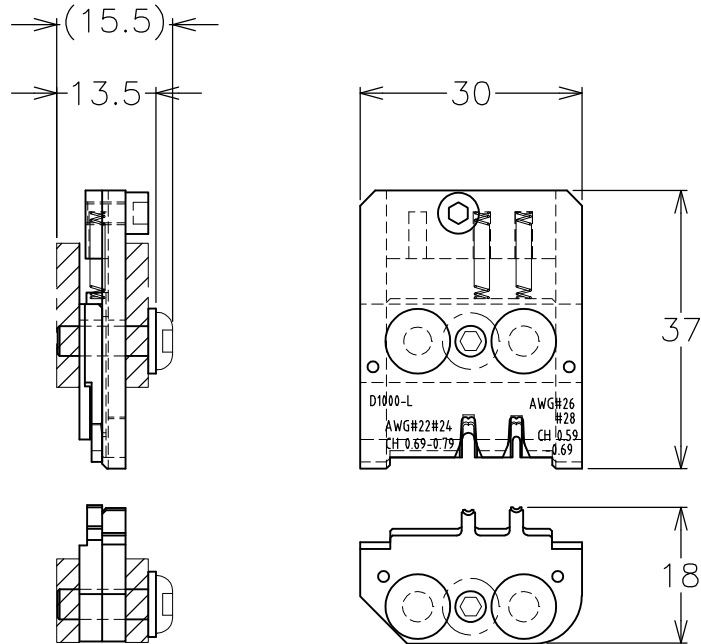


REVISIONS

P	LTR	DESCRIPTION	DATE	DWN	APVD
	C	ECR-16-009790	11JUL2016	S.N	J.K

-1 ONLY



RELEASED FOR PUBLICATION

ALL RIGHTS RESERVED.

Tyco Electronics Japan C.K.

THIS DRAWING IS UNPUBLISHED.

© COPYRIGHT

TERMINAL No.	WIRE SIZE AWG#	INS. RANGE (mm)	TERMINAL CH (mm)		IS. No.
			WIRE	INS.	
1827588-2	#26,#28	ø1.08-ø1.4	0.59-0.69	2.05 REF	411-78204
1871744-1					
1903117-2	#22,#24	ø1.2-ø1.9	0.69-0.79	2.20 REF	
1903125-1					

DIMENSIONS: ??? ? mm	DWN S.NAKA 20.JUL.2005	MATERIAL ??	FINISH ??		
	CHK S.NAKA 20.JUL.2005	TE Connectivity			
TOLERANCES UNLESS OTHERWISE SPECIFIED: ????	APVD S.YABE 20.JUL.2005			NAME ??	DIE ASSY
0 PLC ± -	PRODUCT SPEC ????	SIZE	CAGE CODE	DRAWING NO	RESTRICTED TO
1 PLC ± -	APPLICATION SPEC ??????	A4	00779	??	
2 PLC ± -	114-5377	WEIGHT	C-1762951		-
3 PLC ± -		90g	CUSTOMER DRAWING		SCALE ?? 1:1
4 PLC ± -					SHEET 1 OF 1
ANGLES ± -					REV C

