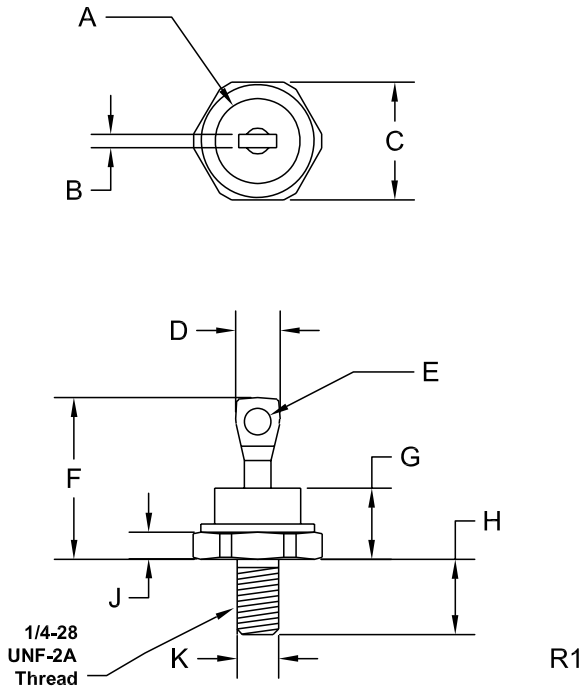


Package Details - DO-5

Mechanical Drawing



SYMBOL	DIMENSIONS		DIMENSIONS	
	INCHES		MILLIMETERS	
	MIN	MAX	MIN	MAX
A	-	0.667	-	16.94
B	-	0.080	-	2.03
C	0.667	0.687	16.94	17.45
D	-	0.375	-	9.53
E	0.140	0.175	3.56	4.45
F	-	1.000	-	25.40
G	-	0.450	-	11.43
H	0.422	0.453	10.72	11.51
J	0.115	0.200	2.92	5.08
K	-	0.227	-	5.76

DO-5 (REV: R1)

Lead Code:

See individual device datasheet.

Packing options:

Bulk - Packing Code: D

D = White corrugated box with black conductive coating (surface resistivity of $<10^5$ ohms per square).

Bulk Packing Quantity: 100