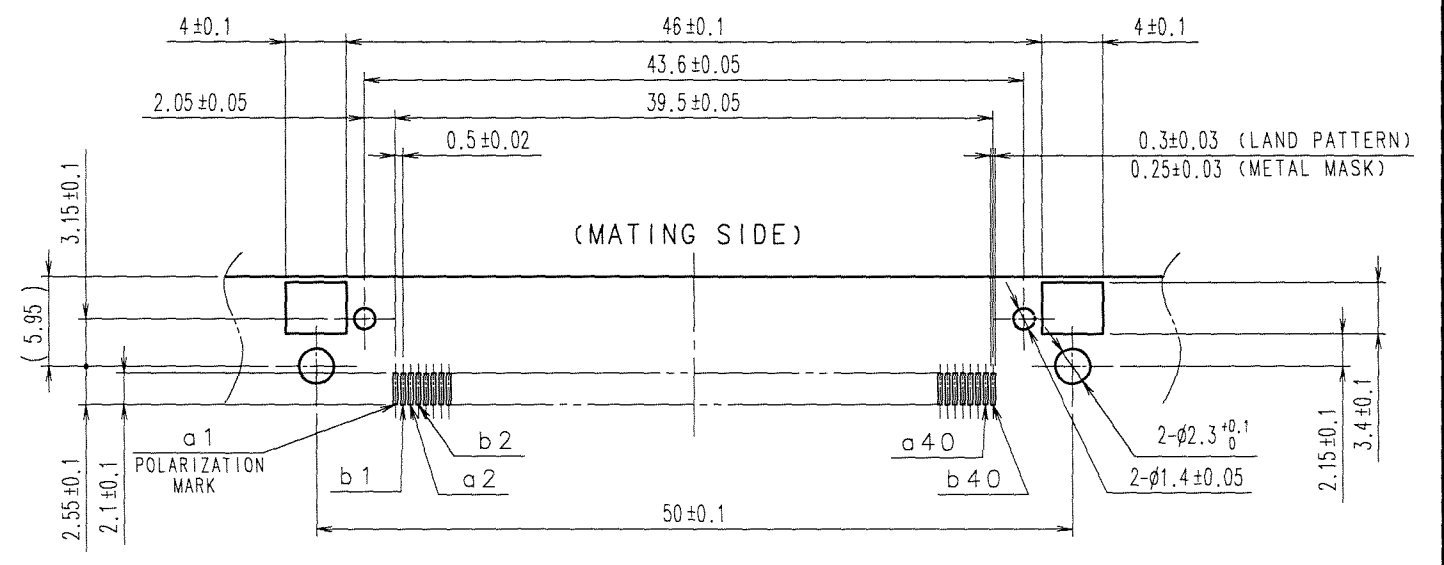


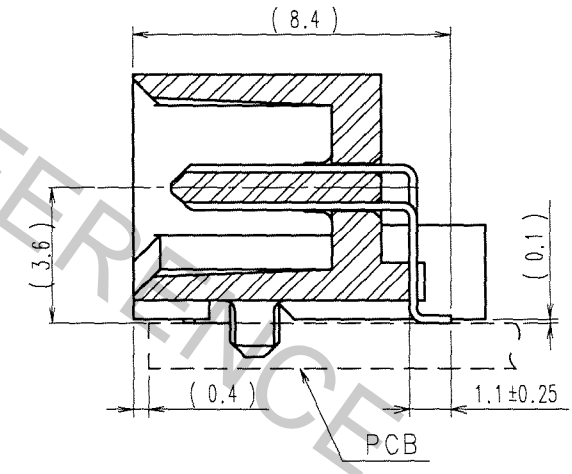
Apr.1.2017 Copyright 2017 HIROSE ELECTRIC CO., LTD. All Rights Reserved.

COUNT	DESCRIPTION OF REVISIONS	BY	CHKD	DATE	COUNT	DESCRIPTION OF REVISIONS	BY	CHKD	DATE

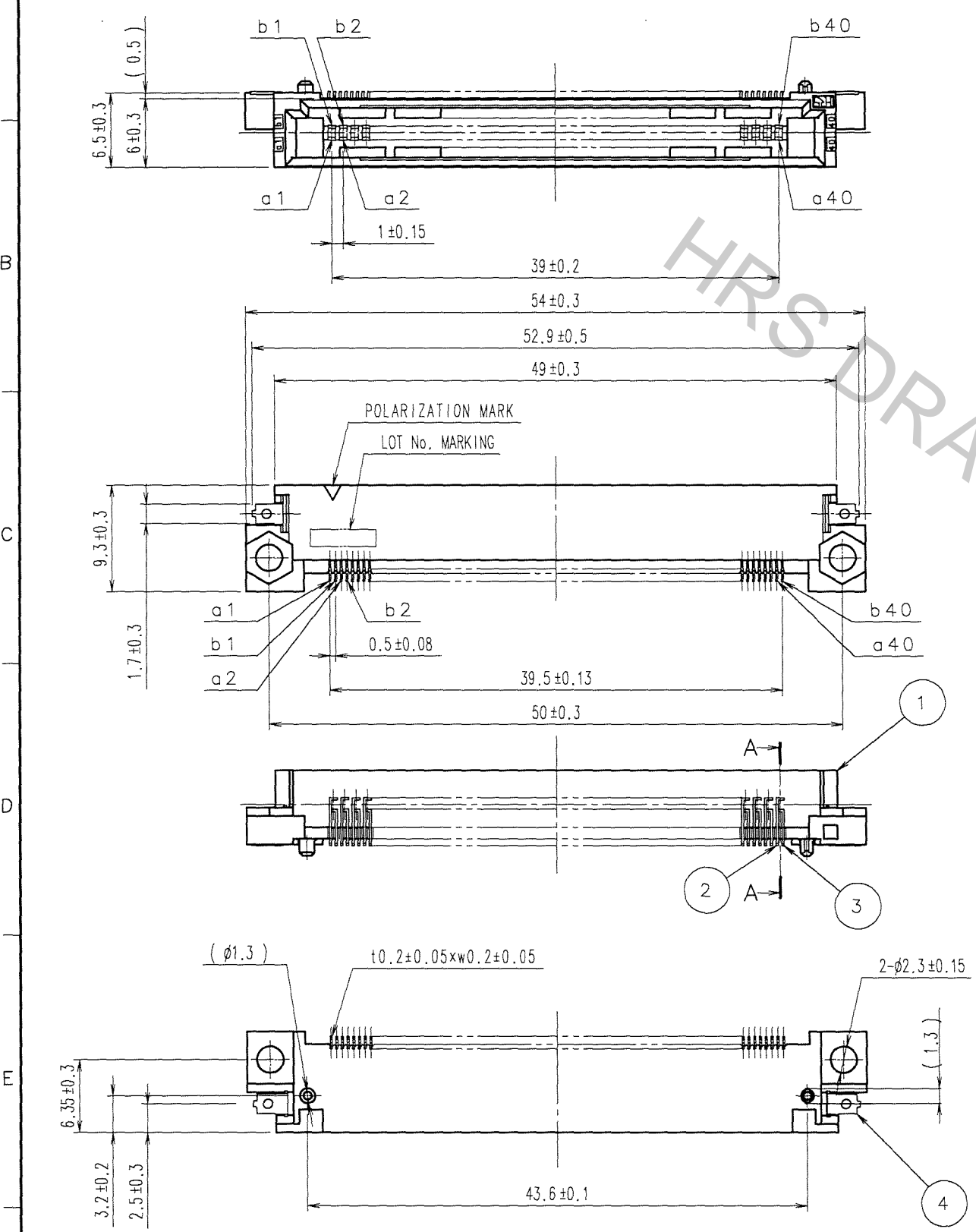
RECOMMENDED LAND PATTERN DIMENSION OF PCB(MOUNTING SIDE)



A-A (5:1)



4	BRASS	TIN-PLATING	2, 3	BRASS	CONTACT AREA: GOLD 0.1μm min.		
1	POLYAMIDE	BEIGE UL94V-0			LEAD AREA: TIN-PLATING 1μm min.		
					UNDER PLATING: NICKEL 1μm min.		
NO.	MATERIAL	FINISH, REMARKS	NO.	MATERIAL	FINISH, REMARKS		
CODE NO. (OLD)	CL		DRAWN	DESIGNED	CHECKED	APPROVED	RELEASED
			<i>K. Doi</i>	<i>K. Doi</i>	<i>K. Ogawa</i>	<i>H. Okawa</i>	
			07-02-20	07-02-20	07-02-20	07-02-20	
SCALE	DRAWING NO. EDC3-151514-21		PART NO. (PROVISIONAL NAME) FX5-80P-SH(71)				
UNITS	mm		CODE NO. CL575-0009-9-71				



NOTES 1. LEAD CO-PLANARITY INCLUDING REINFORCED METAL FITTINGS TO BE 0.1 MAX.
 2. NOTE THAT THE REFERENCE TIGHTENING TORQUE IS 0.15 N·m.
 3. THE DIMENSIONS IN PARENTHESES ARE FOR REFERENCE.

TO