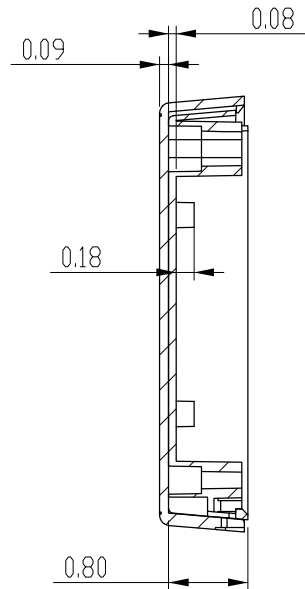
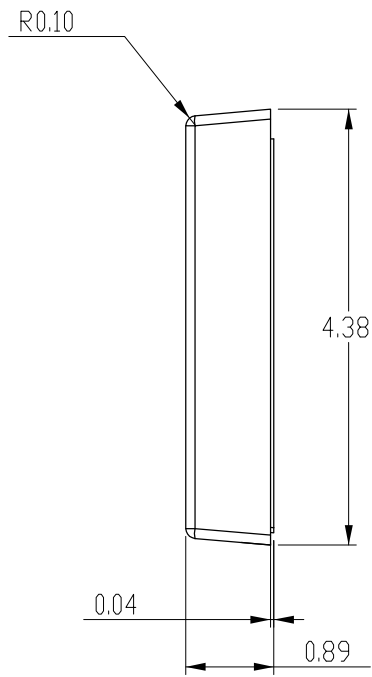
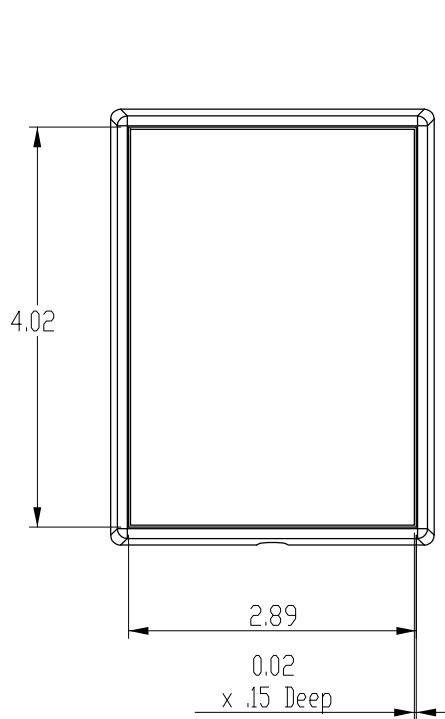
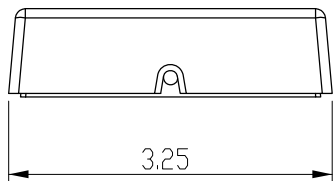
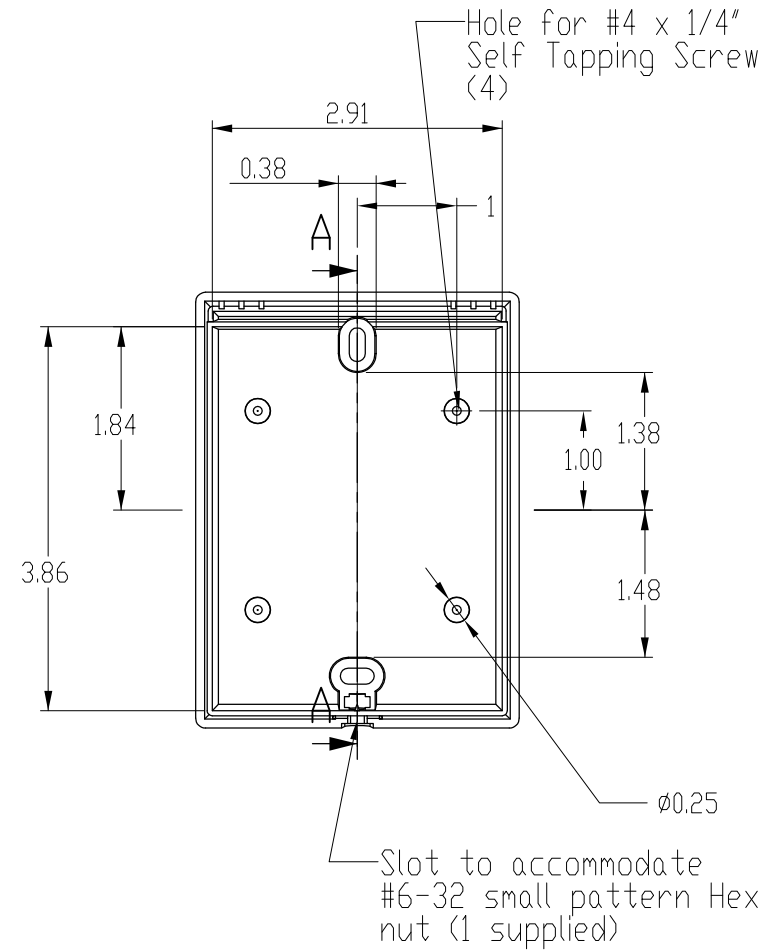


SERPAC G10

Electronic Enclosures



SECTION A-A



Single Gang Electric Box

#6-32 x 1" Pan Head Scr. (1 supplied)

#6-32 x 5/16" Button Head Scr. (1 supplied)

1/2" Drywall

NOTES: